

925B SERIES

ARCHITECT'S AND ENGINEER'S SPECIFICATIONS*

The electric unit heater(s) shall be as manufactured by Brasch. Heater(s) shall be fully UL approved, designed for either wall or ceiling mounting without modification and operate at either 208 or 240VAC and have field-adjustable capacity from 1.874 to

5kW (Model 925BU-UH5004-N) and 2.812 to 7.5kW (Model 925BU-UH7504-N).

HOUSING: The cabinet shall be of heavy gauge steel, welded and phosphatized; then completely painted beige by a baked enamel painting process. Front and back panels shall be removable to gain full access to element, motor and fan area. Fan guard shall be painted to match heater for appearance and durability. Heater(s) shall be furnished with attached ceiling mounting bracket and shall have capability of full horizontal and vertical positioning. Heater(s) shall be so designed as to permit mounting within two inches of the ceiling in full horizontal mode.

CONTROL BOX: The control box, housing all heater wiring and controls, shall be located at the bottom of the heater and equipped with a swing down hinged cover to permit full access for installation and servicing without dismantling the heater.

WIRING: All heater and control wiring connections shall terminate in the control box. Proper wiring diagram shall be attached to the inside of the control box cover. 60° C wire may be used to bring entry wiring into compartment.

FAN MOTOR: Fan motor shall be totally enclosed, impedance protected and of unit bearing design suitable for horizontal or vertical operation with high starting and running torques. Fan motor and controls shall operate directly from the line voltage.

HEATING ELEMENT: The heating element shall be warranted for five years and shall be of non-glowing design consisting of a special resistance wire enclosed in the steel sheath to which steel plate fins are brazed. The heating element shall cover the entire air discharge area for uniform heating.

THERMAL CUTOUT: Thermal cutout shall be built into the system to automatically shut off heater in event of overheating and reactivate the heater when temperatures return to normal.


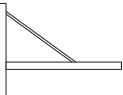
*Brasch reserves the right to change specifications without prior notice.

Models & Specifications:

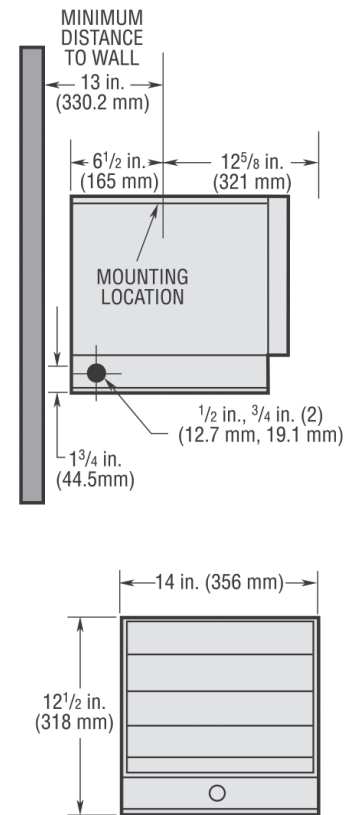
| ITEM INFORMATION | | ELECTRICAL DATA | | | |
|------------------|-------|-----------------|---------|-------------|----------|
| CATALOG NO. | VOLTS | WATTS | BTU/HR. | HEATER AMPS | SHIP WT. |
| 925BU-UH5004-N | 208 | 1874 | 6396 | 9 | 24 lbs |
| | | 2500 | 8553 | 12 | |
| | | 3123 | 10659 | 15 | |
| | | 3750 | 12799 | 18 | |
| | 240 | 2500 | 8533 | 10.4 | |
| | | 3332 | 11365 | 13.9 | |
| | | 4165 | 14215 | 17.4 | |
| 925BU-UH7504-N | 208 | 5000 | 17065 | 20.9 | 27 lbs |
| | | 2812 | 9598 | 13.5 | |
| | | 3750 | 12799 | 18 | |
| | | 4685 | 15990 | 22.5 | |
| | 240 | 5625 | 19198 | 27.1 | |
| | | 3750 | 12799 | 15.6 | |
| | | 5000 | 17065 | 20.8 | |
| | | 6250 | 21331 | 26 | |
| 925BU-UH5008-N | 208 | 7500 | 25598 | 31.3 | 26 lbs |
| | | 2500 | 8533 | 12 | |
| | | 3332 | 11365 | 16 | |
| | | 4165 | 14215 | 20 | |
| | | 5000 | 17065 | 24 | |

NOTE: Disconnect switch (DS30) option available for heaters 24 amps or lower. Optional CWB1A combination wall/ceiling bracket available.

Controls and Accessories:

| CATALOG NO. | DESCRIPTION |
|---|--|
|  UIS-DS30-X | 3-pole power disconnect switch for field installation on all heaters. Complies with "positive off" requirements. |
|  UIB-CWB1-N | Wall mounting brackets for all units. (Ceiling mounting bracket is included with all heaters.) |

Dimensions and Clearances:



No matter the industry or application, Brasch has a robust portfolio of innovative, reliable, high-performance comfort heating and ventilation solutions for all your heating needs.