

916B Series

ARCHITECT'S AND ENGINEER'S SPECIFICATIONS*

Furnish and install, where indicated on plans, 916B Series convector type heaters, suitable for continuous operation, as manufactured by Brasch.

ENCLOSURE: Shall be a minimum 10 gauge (0.95" min.) aluminum extrusion. The one-piece back and bottom shall join to the one-piece top and front utilizing Brasch's Snap-Lock design. Both inlet and outlet air grilles shall be punched pencil-proof slots negating the need for mesh under the grille.

SIZE: Heaters shall be low profile (5 3/8" x 7") and available in standard lengths from 28 inches through 12 feet. Additionally, custom length cabinets available with single or multiple heat decks shall be furnished as specified.

HEATING LENGTHS AND VOLTAGES: Heater lengths, voltages and wattage capacities shall be as indicated on the plans.

FINISH: The top and front shall be finished with a baked enamel paint or anodized. Finished backs are available upon request.

HEATING ELEMENTS: The nickel-chromium heating element wire shall be encased in a steel sheath for maximum, trouble-

free element life. Aluminum fins shall be pressure bonded to the steel sheath. Elements shall be centered, anchored and shall float freely at each end through high-temperature Noryl bushings.

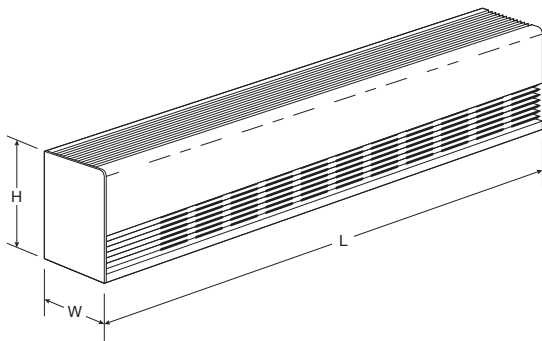
CONTROL SECTIONS: Control sections, finished to match heaters, shall be furnished as an optional accessory for field installation of controls, or shall be used to house factory-installed controls as specified.

OPTION BUILT-IN CONTROLS: Thermostats, power relay, low-voltage control relays, and power on/off switches, singly or in combination, may be specified for factory installation in heaters. Thermostats and power on/off switches are accessible through the grille.

PEDESTALS: The heater shall be convertible for use as a self-standing unit with pedestal conversion kit. Pedestals shall be painted steel or anodized aluminum. Pedestals can either be mounted on or embedded in the floor surface, and wiring or conduit brought through the pedestal during installation.

*Brasch reserves the right to change specifications without prior notice.

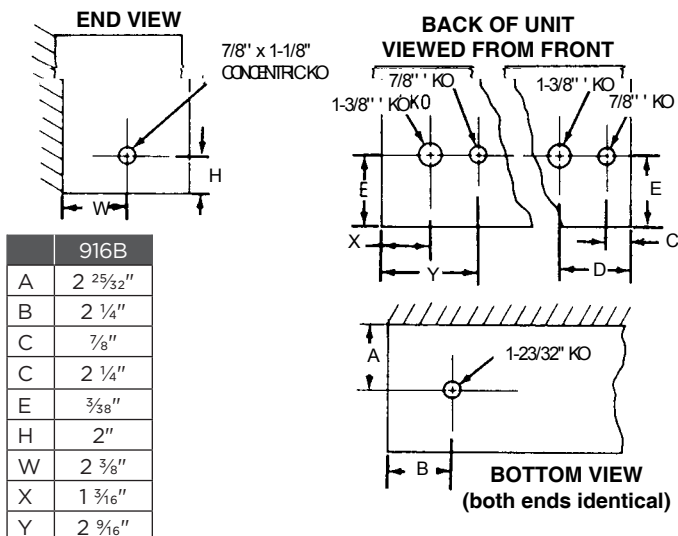
Dimensions and Clearances:



Cat. No.	Dimensions		
	H	W	L
916B	7"	5 5/8"	28"-12'

Minimum Mounting Height Above Floor	
916B Front Inlet	0"
916B Bottom Inlet (100W/Ft.-250W/Ftr.)	1-3/4"
916B Bottom Inlet (375W/Ft.-750W/Ft.)	3"

Knockouts:



Pedestal Placement:



Cat. No.	Standard Pedestal Placement		
	A	B	L
916B	2 13/16"	2 1/4"	28-12"

NOTE: On units longer than 12', three pedestals are required. Consult factory for placement.

916B (1 Element) Lengths

Length	28"	3'	4'	5'	6'	7'	8'	9'	10'
Shipping Weight	8 lbs	10 lbs	13 lbs	17 lbs	20 lbs	24 lbs	27 lbs	30 lbs	33 lbs

NOTE: Cabinet available up to 12 ft. length. Custom length cabinets are priced with heater and blank to the next larger size. Backs are provided standard with no finish. For finished backs, add 10% to list price. Knockouts on back omitted by request only. All models are NON-STOCK made-to-order. When ordering, specify quantity, catalog number, voltage, wattage, optional controls, and color. Consult sales representative for lead times.

Watts per Ft.*

100	125	150
188	250	

Voltages*

120	208	240	277
480	347	600	

916B (Multiple Elements) Lengths

Length	28"	3'	4'	5'	6'	7'	8'	9'	10'
Shipping Weight	12 lbs	15.5 lbs	20 lbs	25.5 lbs	30 lbs	35 lbs	40 lbs	45 lbs	50 lbs

NOTE: Cabinet available up to 12 ft. length. Custom length cabinets are priced with heater and blank to the next larger size. Backs are provided standard with no finish. For finished backs, add 10% to list price. Knockouts on back omitted by request only. All models are NON-STOCK made-to-order. When ordering, specify quantity, catalog number, voltage, wattage, optional controls, and color. Consult sales representative for lead times.

Watts per Ft. — 2 Elements*

375	500
-----	-----

Voltages — Single Phase*

208	240	277	347	600
-----	-----	-----	-----	-----

Watts per Ft. — 3 Elements*

600	750
-----	-----

Voltages — Three Phase*

208	240	600
-----	-----	-----

*Specs vary by length. Reference the submittal sheet or additional detail

Optional Built-In Controls:

SUFFIX*	OPTIONAL BUILT-IN CONTROL	RATINGS & DESCRIPTION
T	Single-Pole Thermostat	Rated 25 amps @ 120-240 VAC and 22 amps @ 277 VAC. Pilot duty rating of 125 VA (all voltages). 60-120°F temperature range; adjustable through outlet grille-tamper-resistant. (See Note B) Not available on three-phase heaters.
2T	Double-Pole Thermostat	Rated 25 amps @ 120-240 VAC and 22 amps @ 277 VAC. Pilot duty rating of 125 VA (all voltages). 60-120°F temperature range; adjustable through outlet grille-tamper-resistant. (See Note B for amperage restrictions.)
DS	Power On/Off Switch	Double-pole, rated 20 amp @ 120-277 VAC. (See Note A) For three-phase heaters and single-phase heaters over 20 amps specify two.
TR	Transformer Relay	Single-pole, low voltage relay with built-in transformer (24 VAC control), rated 22 amps @ 120-240 VAC and 22 amps @ 277 VAC. (See note E) 17 amps @ 347V. Not available on three-phase heaters.
PR	Power Relay	Single-pole thermal time delay relay, rated 25 amps @ 120-600 VAC. (See Notes E & F). Specify control voltage.
2ST	2-Stage Thermostat	Rated 24 amps @ 120-240 VAC and 22 amps @ 277 VAC. Pilot duty rating of 125 VA (all voltages). 60-120°F temperature range, adjustable through outlet grille-tamper-resistant. Available on 2- or 3-element, single-phase heaters only.
PDT	Single-Pole Thermostat	Same as -T except Pilot Duty. (See Note C)
2TPD	Double-Pole Thermostat	Same as -2T except Pilot Duty. (See Note C & D)
M	Outlet Mesh	Price per foot

NOTE: *Addition To Basic Catalog No. (See Note D)

A. For single-phase loads over 20A and all three-phase loads, specify (2) power on/off switches. **B.** This control option is not available on single-phase heaters over 25 amps (22 amps on 277 VAC). In combination with the power on/off switch option use the 2ST thermostat option on heaters over 20 amps. **C.** A second transformer relay can be sequenced off the first transformer relay in the same heater. Up to 30 power relays in different heaters can be controlled by (1) single-stage pilot duty thermostat. **D.** Up to 30 power relays in different heater can be controlled by each stage of a two-stage pilot duty thermostat. **E.** Two relays are required on single-phase heaters over 20 amps with a power on/off switch, over 25 amps without a power on/off and on all three-phase heaters. Two relays are available for two-stage on two- or three-element heaters only. **F.** Three power relays are available for three-stage on three-element heaters only.

Control Combinations:

	No Thermostat or Power ON/OFF Switch	Thermostats					Power ON/OFF (-DS) ⁴	Thermostats & Power ON/OFF Switches					
		1-Pole (-T)	2-Pole (-2ST)	2-Stage (-2ST)	Pilot Duty (-PDT) ²	2-Stage Pilot Duty (-2SPD) ²		1-Pole	2-Pole	2-Stage	Pilot Duty	2-Stage Pilot Duty	
916	No Power controls	x	x	x	x	x	x	x	x	x	x		
	Power Relay (-PR)	x	x	x	x	x	x	x	x	x	x	x	
	2 Power Relays (-2PR)	x		x	x	x	x	x		x	x	x	x
	3 Power Relays (-3PR)	x		x	x	x	x	x		x	x	x	x
	Transformer Relay (-TR)	x	x	x	x	x	x	x	x	x	x	x	
	2 Transformer Relays (-2TR)	x		x ³	x ³	x ³	x ³	x ³	x ³	x ³	x ³	x ³	

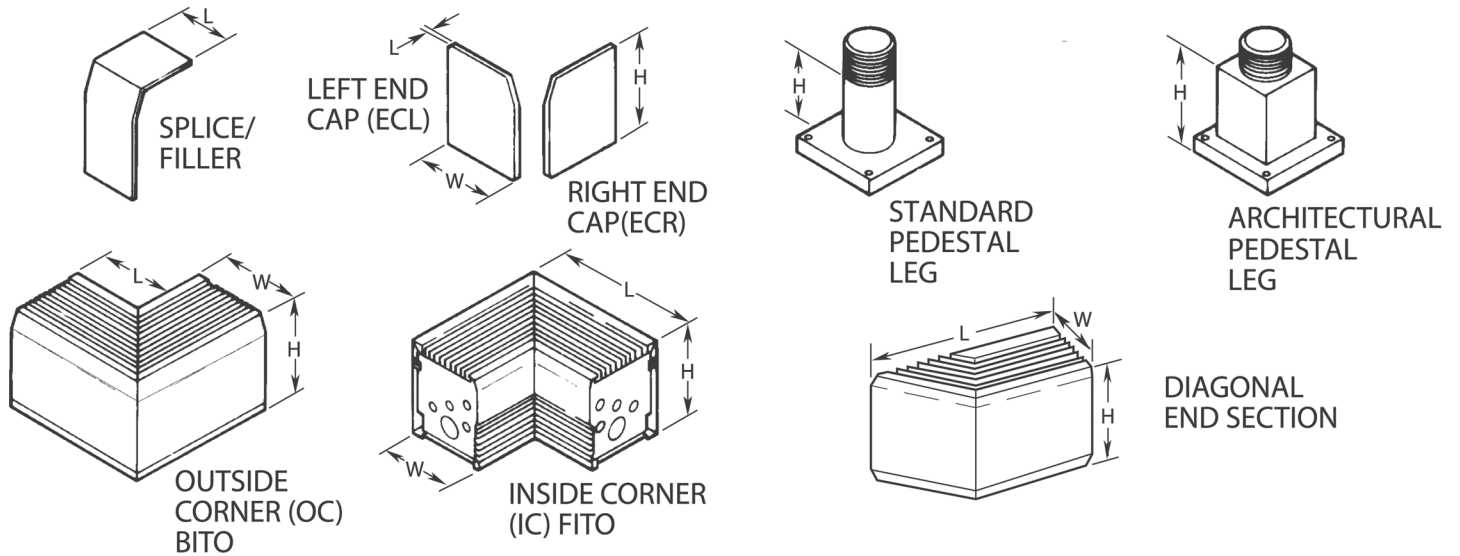
NOTE: 1. Normal mounting configuration is a thermostat and Power ON/OFF in left junction box; power relay, transformer relay, and pneumatic/electric switch in right junction box. 2. When used with power relays or transformer relays, pilot duty thermostats will be wired into the coil circuit of the power relay or the 24V side of the transformer relay. The line voltage thermostats will be wired into the power circuit of the heater. 3. When using two transformer relays with any additional controls (built-in thermostat or Power ON/OFF), please consult factory. 4. For three-phase units, specify two Power ON/OFF.

Blank Sections & Accessories — 916 Series:

CATALOG NO.*	DIMENSIONS (W x H x L)	INLET	SHIP WT.	CATALOG NO.*	DESCRIPTION	ADDITIONAL SPACE REQUIRED	SHIP WT.
BIH-A5BS1F	5 3/8" x 7" x 1'	Front	7 lbs	BIC-A5ECLS**	End Cap w/Screws - Left		
BIH-A5BS1B		Bottom		BIC-A5ECRS**	End Cap w/Screws - Right		
BIH-A5BS2F	5 3/8" x 7" x 28"	Front	11 lbs	BIH-A5ICF**	Inside Corner-Front In	10"	11 lbs
BIH-A5BS2B		Bottom		BIH-A5ICB**	Inside Corner-Bottom In	10"	11 lbs
BIH-A5BS3F	5 3/8" x 7" x 3'	Front	14 lbs	BIH-A5OCF**	Outside Corner-Front In	5"	7 lbs
BIH-A5BS3B		Bottom		BIH-A5OCB**	Outside Corner-Bottom In	5"	7 lbs
BIH-A5BS4F	5 3/8" x 7" x 4'	Front	18 lbs	BIH-A5DESL**	Dec. End Section-Bot. In, Left	12 1/2'	11 lbs
BIH-A5BS4B		Bottom		BIH-A5DESR**	Dec. End Section-Bot. In, Right		11 lbs
BIH-A5BS5F	5 3/8" x 7" x 5'	Front	22 lbs	BIH-A5DESFL**	Dec. End Section-Front In, Left		7 lbs
BIH-A5BS5B		Bottom		BIH-A5DESFR**	Dec. End Section-Front In, Right		7 lbs
BIH-A5BS6F	5 3/8" x 7" x 6'	Front	27 lbs	BIC-A5SP**	Splice Plate	0-1/4"	1 lbs
BIH-A5BS6B		Bottom		BIC-A5FL3**	Filler Section 3 in.	0-3"	1 lbs
BIH-A5BS7F	5 3/8" x 7" x 7'	Front	32 lbs	BIC-A5FL6**	Filler Section 6 in.	3-6"	1 lbs
BIH-A5BS7B		Bottom		BIC-A5FL9**	Filler Section 9 in.	6-9"	2 lbs
BIH-A5BS8F	5 3/8" x 7" x 8'	Front	37 lbs	BIC-A5FL12**	Filler Section 12 in.	9-12"	3 lbs
BIH-A5BS8B		Bottom		BIC-A5FL18**	Filler Section 18 in.	15-18"	5 lbs
BIH-A5BS9F	5 3/8" x 7" x 9'	Front	40 lbs	BIH-A5DRF**	Receptacle Section-Front In	4 1/2"	2 lbs
BIH-A5BS9B		Bottom		BIH-A5DRB**	Receptacle Section-Bottom In		
BIH-A5BS10F	5 3/8" x 7" x 10'	Front	44 lbs	BIP-A5PK5S*	Standard Pedestal 4 1/8 in. (H)	-	2 lbs
BIH-A5BS10B		Bottom		BIP-A5PK5A*	Architectural Pedestal 4 1/8 in. (H)		
				BIB-VVSO1***	Stand-Off Bracket	-	1 lbs

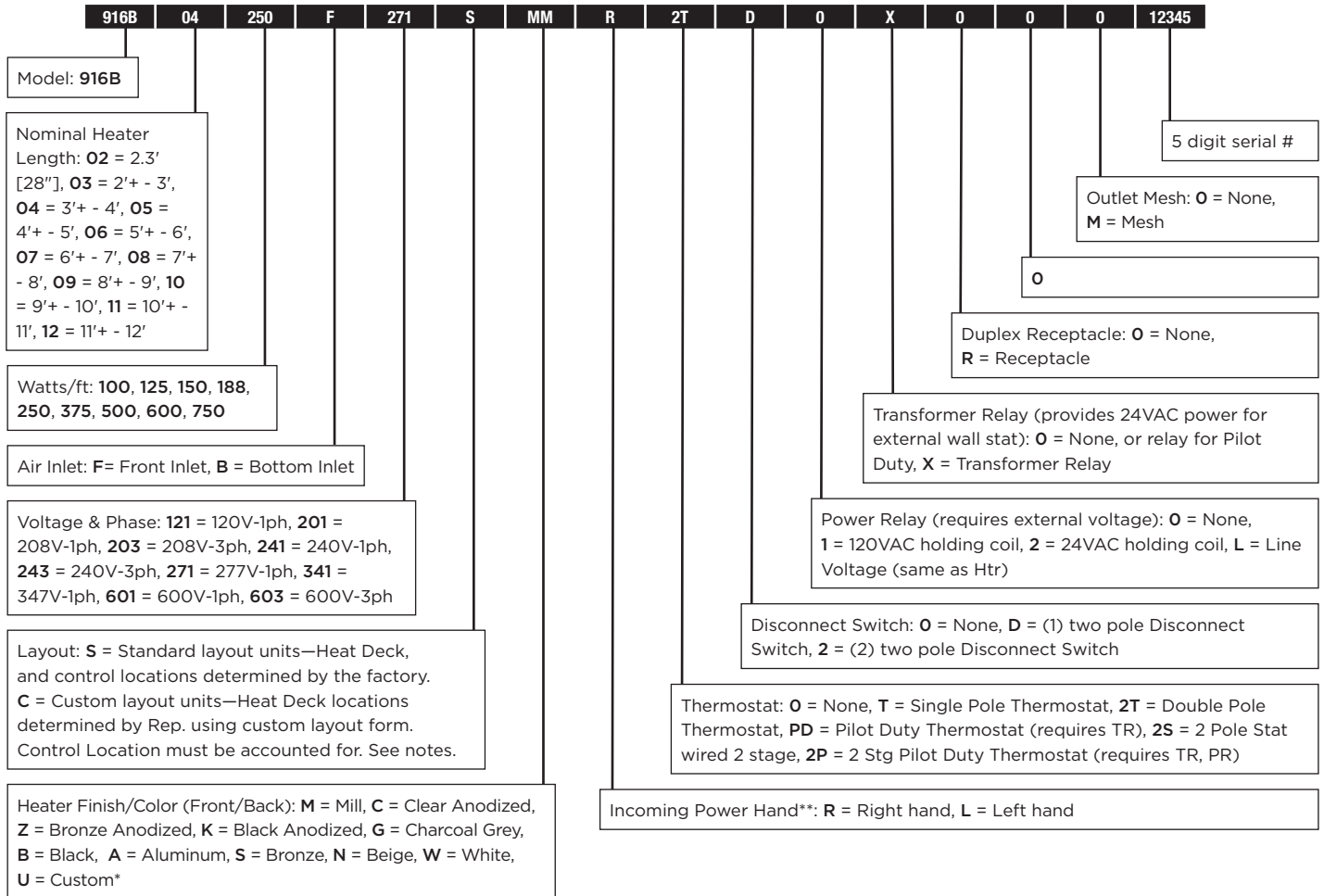
NOTE: Blank section grilles are not punched unless requested.

*One pedestal. Two required on units up to 10 ft., three required on units over 10ft.
 **Add suffix color code -P for painted, -C for clear anodized, -B for bronze anodized (excludes BIP-A5PK5S - Black only).
 ***All Stand-off Brackets come standard as Beige.



How to Order -916B

Example:



*Custom finishes require additional approvals prior to acceptance
 **Control Hand / Incoming Power connection is determined by the hand of the DS/thermostat when facing the heater.
 Contact Marley Sales Representative for additional configuration details

No matter the industry or application, Brasch has a robust portfolio of innovative, reliable, high-performance comfort heating and ventilation solutions for all your heating needs.