

922B SERIES

ARCHITECT'S AND ENGINEER'S SPECIFICATIONS*

The electric cabinet unit heaters shall be as manufactured by Brasch. Heaters shall be UL/cUL Listed, designed for mounting in any position, including on-end, fully recessed, semi-recessed or surface mounted. All capacities, voltages, physical sizes should be as specified in the heater schedule. All three phase heaters shall have a balanced heating load. Control voltage is to be internally generated by 24 VAC (Optional 120 VAC).

CABINET: The cabinet shall be of heavy duty cold-rolled steel. The heater front covers shall be securely attached to the cabinet with a maximum of two slotted head style spring latches (optional Toolhead Key Lock) and easily removable for access to elements, filters and control panel. Cabinet shall be finished in Beige (Optional - Color by Architect) polyester powder coated.

HEATING ELEMENTS: The heating elements shall be warranted for five years and shall be of non-glowing design consisting of 80/20 NiChi resistance wire enclosed in a steel sheath to which steel plate fins are brazed. The heating element shall be located directly in front of the blower discharge air for uniform heating.

SAFETY THERMAL CUTOUPS: Thermal safety cutouts shall be built into the system to automatically shut off heater in event of overheating due to any cause. The safety cutouts shall directly interrupt power to the elements and not depend on relays to interrupt the power. (Optional backup manual reset thermal safety cutout in the control circuit shall prevent heater reenergizing until cause of overheating has been cleared by a qualified service technician).

MOTOR AND BLOWER ASSEMBLY: The motor(s) and blower(s) shall be direct drive and resiliently mounted on a rigid heavy duty frame for quiet operation and long life. The motor(s) shall be two speed 1/8 H.P. with automatic reset overload protection. The motor shall be vented and mounted in the air stream to provide maximum cooling of the motor(s). Motor(s) fuse protection shall be provided to meet UL, cUL and NEC requirements. The blower(s) shall be forward curved, double inlet, centrifugal type with discharge directly on the full length of the elements to provide uniform discharge air temperatures.

AIR FILTERS: The filter shall be located ahead of the motor and blower assembly to ensure clean air circulation. The filter shall filter both the returning room or the outside air if the optional outside air damper assembly is provided. Filter shall be easily removed for changing or cleaning by removing the front panel and pulling on the filter. A disposable filter is standard and a permanent washable filter is optional.

FRONT COVER INTERLOCK: Heater shall be provided with an electrical interlock to shut down the heater when the front cover is opened to provide safety to the maintenance personnel during filter cleaning (replacement) or other maintenance.

FAN DELAY CONTROL: Fan control shall delay start up of the fan motor(s) until the heating elements have warmed up. It shall maintain motor operation after heating elements have been de-energized to dissipate residual heat.

TEMPERATURE CONTROL: Thermostat shall be built-in, snap-action single stage with remote bulb sensor located in the return air stream. (Optional - built-in two stage remote bulb snap action thermostat, remote mounted single stage wall thermostat). Terminals shall be provided in the control panel for direct connection of the remote wall mounted thermostats. Silent time delay relays shall be provided, rather than contactors, to eliminate the noise of contactor opening and closing.

TERMINALS FOR REMOTE INTERLOCK: Terminals shall be provided in the control panel for connection to Building Automation or Energy Management Systems.

HEAT SELECTION/FAN SPEED: Two fan speeds and high-low heat ranges shall be selectable by means of a single rocker switch located behind the front cover.

CIRCUIT BREAKERS: Circuit breakers shall be provided for branch circuit protection where required by UL, cUL and NEC (Optional - Circuit breakers shall be supplied on all heaters).

INTERCHANGEABLE INTAKE AND DISCHARGE LOUVERS: Heater shall be provided with intake louver that can be changed from front to bottom by removing a maximum of two screws. Discharge louvers shall be able to be changed from front to top by removing a maximum of two screws.

The Following Factory Installed/Prewired Optional Equipment Shall Be Supplied:

- Manual Reset Thermal Cutout
- Circuit Breakers
- 120 Volt Control Supply
- Dead Front Disconnect Switch
- Dead Front Fused (Non Fused Disconnect Switch & Circuit Breaker) Disconnect Switch
- On-Off Switch
- Inlet/Discharge Duct Collars
- Permanent (Washable) Filter

The Following Field Installed Optional Equipment Shall Be Supplied:

- Recess Trim Kit
- Base Kit
- Washable Filter

*Brasch reserves the right to change specifications without prior notice.

Custom Cabinet Unit Heaters: Models and Specifications

| SERIES | KW | BTU/HR | FINAL AIR TEMP | CFM* | AMPERAGE | | | | | | SHIP WT. |
|------------------------|------------------------|---------|----------------|-----------|-----------|-----------|-----------|-----------|-----------|----------|----------|
| | | | | | 208 1Ø | 208 3Ø | 240 1Ø | 240 3Ø | 277 1Ø | 480 3Ø | |
| 922BC-35 35 in. (L) | 2 | 6,826 | 85° F | 250 | 10 | 6 | 9 | 6 | 8 | 3 | 120 lbs |
| | 3 | 10,239 | 98° F | | 15 | 9 | 13 | 8 | 12 | 4 | |
| | 4 | 13,652 | 111° F | | 20 | 12 | 17 | 10 | 15 | 6 | |
| | 5 | 17,065 | 123° F | | 25 | 15 | 22 | 13 | 19 | 7 | |
| | 6 | 20,478 | 136° F | | 30 | 17 | 26 | 15 | 22 | 8 | |
| | 7 | 23,891 | 148° F | | 34 | 20 | 30 | 18 | 26 | 9 | |
| | 8 | 27,304 | 161° F | | 39 | 23 | 34 | 20 | 30 | 10 | |
| | 922BC-45 45 in. (L) | 4 | 13,652 | | 85° F | 500 | 20 | 12 | 18 | 11 | |
| 6 | | 27,478 | 98° F | 30 | 18 | | 26 | 16 | 23 | 8 | |
| 8 | | 27,304 | 111° F | 40 | 23 | | 34 | 20 | 30 | 11 | |
| 10 | | 34,130 | 123° F | 48 | 29 | | 43 | 25 | 37 | 13 | |
| 12 | | 40,956 | 136° F | 59 | 34 | | 51 | 30 | 44 | 16 | |
| 14 | | 47,782 | 148° F | 68 | 40 | | 59 | 35 | 52 | 18 | |
| 16 | | 54,608 | 161° F | 78 | 46 | | 68 | 40 | 59 | 20 | |
| 922BC-68 68 in. (L) | 15 | 51,195 | 123° F | 750 | 74 | 44 | 64 | 38 | 56 | 20 | 260 lbs |
| | 21 | 71,673 | 148° F | | - | 60 | 89 | 52 | 78 | 27 | |
| | 24 | 81,912 | 161° F | | - | 69 | - | 60 | - | 31 | |
| 922BC-78 78 in. (L) | 20 | 68,260 | 123° F | 1,000 | - | 58 | 86 | 50 | 74 | 26 | 300 lbs |
| | 24 | 81,912 | 136° F | | - | 69 | - | 60 | - | 31 | |
| | 28 | 95,564 | 148° F | | - | 80 | - | 70 | - | 36 | |
| | 32 | 109,216 | 161° F | | - | 91 | - | 79 | - | 41 | |

NOTE: **BOLD** numbers represent circuit breakers or fused disconnect required. **380V units will operate with a 16% reduction in heating capacity. +Based on 60°F inlet air temperature. *Values shown is high speed. All models operate at 60hz.

Optional Factory-Installed Accessories:

| ACCESSORY | DESCRIPTION | |
|-------------------------------------|---|--|
| | STANDARD | OPTIONAL |
| 2-Stage Thermostat Built-or Remote | Built-in (or remote-mounted) single-pole, single-stage thermostat that cycles the element(s) and fan. Fan speed and element wattage selected by the built-in HIGH or LOW selector switch. | Built-in (or remote-mounted) two-stage thermostat that cycles 2/3 of the element for during first stage and full heat during second stage. Fan cycles on high speed only. |
| Dead Front Disconnect Switch | A three pole non-fused disconnect switch disconnects power to the heater. Design prevents entry into the control compartment until disconnect switch is turned to the OFF position. | Supply terminal block in the control compartment. |
| Dead Front Fused Disconnect Switch* | A three pole non-fused disconnect switch and circuit breaker(s) sized to the heater load protects heater and disconnects power to the heater. | Design prevents entry into the control compartment until disconnect switch is turned to the OFF position. |
| On/Off Switch | No switch supplied. | Built-in switch provides continuous fan operation with or without heat, or automatic fan cycling as the heat cycles on and off. |
| Key Lock For Front Cover | Two (2) slotted head spring latches. | Two (2) toolhead key lock style spring latches prevent unauthorized adjustment of controls and provides additional safety from injury due to contact with internal components. |
| Inlet or Discharge Duct Collar(S) | Standard Architectural Grilles | Collars provide easy connection of field supplied duct work. We do not recommend exceeding 0.2 in. wg external static pressure. Heater with duct collars are supplied with a single speed high static motor. |

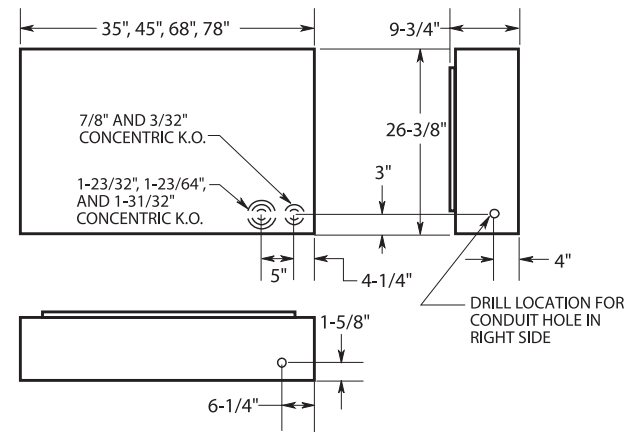
*Plus price of circuit breaker.

Optional Accessories:

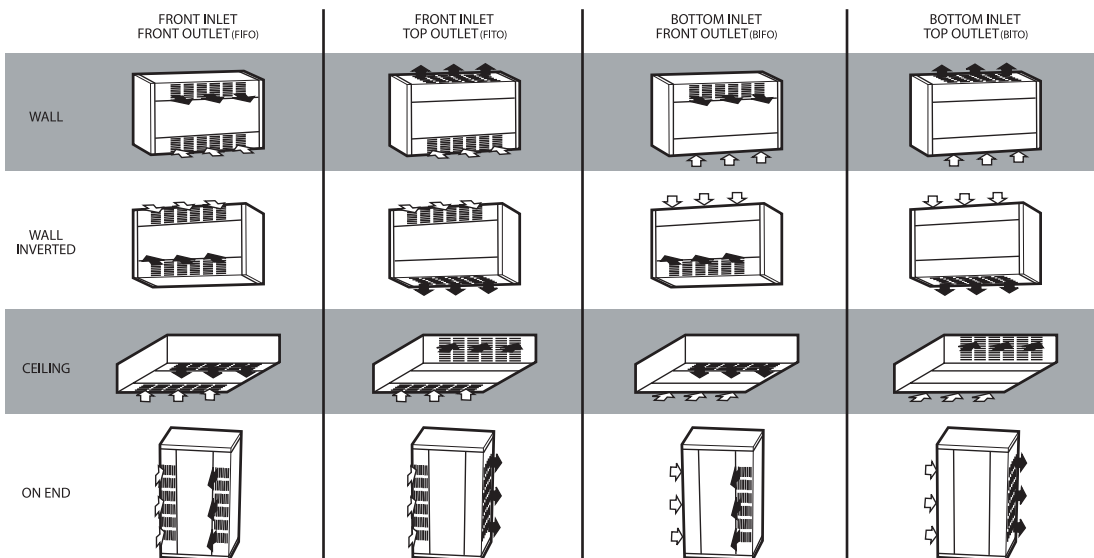
| CATALOG NO. | DESCRIPTION | COMPATIBLE WITH | FUNCTION | SHIP WT. |
|-------------|-------------------------------------|-----------------|---|----------|
| CIK-35RTK-W | Ceiling or Wall Recess Trim Kit | 922B-35 | Provides a neat finish to semi-recessed or full recessed application. | 3 lbs |
| CIK-45RTK-W | | 922B-45 | | 4 lbs |
| CIK-68RTK-W | | 922B-68 | | 6 lbs |
| CIK-78RTK-W | | 922B-78 | | 7 lbs |
| CIK-35BK-W | Floor/Toe-Space Base Kit | 922B-35 | 16 gauge, muted black base is recessed from the heater front and sides to provide an attractive and practical floor mounting application. | 9 lbs |
| CIK-45BK-W | | 922B-45 | | 10 lbs |
| CIK-68BK-W | | 922B-68 | | 13 lbs |
| CIK-78BK-W | | 922B-78 | | 15 lbs |
| CIK-35WF-W | Permanent, Reusable Washable Filter | 922B-35 | Replaces standard filter Washable filter can be cleaned and replaced. | 4 lbs |
| CIK-45WF-W | | 922B-45 | | 6 lbs |
| CIK-68WF-W | | 922B-68 | | 10 lbs |
| CIK-78WF-W | | 922B-78 | | 12 lbs |

For a different finish, replace the suffix W on the associated catalog number with the appropriate finish letter: B (black), S (bronze), N (beige), A (aluminum). Contact your Brasch sales representative for more detail.

Dimensions and Clearances:



Multiple Air Flow Combinations:



Clearances:

Heater Wall Mounted:

- Front Discharge, No obstruction within 24" of discharge.
- Top Discharge, No obstruction within 24" of discharge.
- Front Intake, Zero or greater to base of heater.
- Bottom Intake, No obstruction within 24" of discharge.

Heater Ceiling Mounted:

- Front Discharge, No obstruction within 24" of discharge.
- Top Discharge, No obstruction within 24" of discharge.
- Front Intake, Zero or greater to base of heater.
- Bottom Intake, No obstruction within 24" of discharge.
- Minimum 2" to side wall.

FEATURES

- Attractive cabinet enclosure blends into the decorative schemes of commercial areas.
- Ceiling, floor or wall mounted.
- Surface, full recess or semi-recess mounted.
- Heavy duty cold-rolled steel construction.
- Nineteen capacities: 2kW to 32kW; five cabinet styles: 35", 45", 68" and 78" lengths (26 3/8" height x 9 3/4" deep).
- 1/2 hp, PSC, motors are two-speed (1550/1450 rpm).
- Resilient mounted motors with automatic thermal overload protection.
- Steel plate fin elements are copper brazed to low watt density, steel-sheathed tubular heating elements. (80/20 NiCh resistance wire). Element is finished with aluminized paint for corrosion resistance. Fins and elements are arranged in a uniform grid pattern and fit closely into the discharge area to assure that all outgoing air passes through the heating element.
- Thermal safety cutout: installed in direct contact with the heating element. Automatically shuts off the heater in the event of overheating due to any cause and reactivates the heater when operating temperature returns to normal.
- Optional: manual reset thermal safety cutout available.
- Heaters over 48 amps have sub-divided (circuit breaker protected) circuits.
- Circuit breakers are available as an option on heaters of less than 48 amps.
- Built-in thermostat: single pole, snap-action thermostat with remote bulb sensor located directly in the air intake. (Optional - built-in two stage thermostat available). Easy and low cost field installation of a completely packaged heater.
- 24 volt control system: all internal controls, including the thermostat, are operated from a built-in prewired transformer with a 24 volt secondary. (Optional - 120 volt built-in control available.)
- Heaters have a tamper-resistant, two-position selector switch to select full heat at high fan speed and reduced heat at low fan speed.
- Automatic fan delay eliminates cold drafts on start-up and discharges residual heat from the heater body during shut down.
- Silent relays, instead of conventional contractors, eliminate the noise of contactor opening and closing.
- An aluminum wall louver option provides a finished touch to the exterior of masonry or panel walls with thickness of 2 3/4" or greater.
- Optional: inlet and discharge duct collars—UL listed—provide easy field connection to field supplied duct work. We do not recommend exceeding 0.15" wg external static pressure.
- Each heater is supplied with a throw-away air filter mounted in the inlet air stream. Optional permanent (washable) aluminum filters are available.
- A front cover interlock is a standard safety feature that de-energizes the heater when the front cover is removed.
- Optional: dead front disconnect switch or fused dead front disconnect switch, disconnects power to the heater. Control panel access door can not be opened until power is turned off.
- Optional: built-in on/off switch allows the heater to be de-energized when not in use.
- An optional trim kit is available for a neat finish to semi-recessed or full recessed applications.
- An optional kick plate in muted black, which is recessed from the heater front and sides by one inch, makes an attractive and practical off-the-floor installation.
- Optional: inlet and/or discharge duct collars.

How to Order

| | | | | | | | | | | | | | | | | | |
|------|---|----|----|----|---|---|---|----|---|---|---|---|---|---|---|---|---|
| 922B | - | 35 | 10 | 24 | 1 | F | F | 1B | O | O | S | O | P | K | P | - | B |
|------|---|----|----|----|---|---|---|----|---|---|---|---|---|---|---|---|---|

Length: **35** = 35", **45** = 45",
68 = 68", **78** = 78"

*KW: **02, 03, 04, 05, 06, 07, 08, 09, 10, 11, 12, 14, 15, 16, 18, 20, 21, 24, 28, 32**

*Voltage: **20** = 208V, **24** = 240V, **27** = 277V,
34 = 347V, **48** = 480V, **60** = 600V

*Phase: **1** = 1Ø, **3** = 3Ø

Inlet Configuration: **F** = Front, **B** = Bottom

Outlet Configuration: **F** = Front, **T** = Top

*Thermostat: **1B** = Single Stage Built In, **1R** = Single Stage Remote Wall Mount,
2B = Two Stage Built In, **2R** = Two Stage Remote Wall Mount

*Control Voltage: **2** = 24VAC, **1** = 120VAC

*Circuit Breaker: **C** = Circuit Breaker, **O** = None

*Disconnect Switch: **S** = Disconnect Switch, **F** = Fused Circuit Breaker
Disconnect, **O** = None

*On-Off Switch: **S** = Heat On/Off Switch, **O** = None

Air Intake Filter: **O** = Std. Throw-Away, **P** = Permanent Washable

Front Cover Lock: **O** = Std. Lock, **K** = Key Lock

B = Duct Inlet/Duct Discharge, L = Louvre Inlet/Louvre Outlet, M = Duct Inlet/Louvre Discharge, N = Louvre Inlet/Duct Discharge,

Cabinet Finish:
A = Aluminum, B = Black,
N = Beige, W = White,
S = Bronze

Manual Reset now standard on all 922B. Summer Fan Switch - Now order Digital Controls. Night Set Back - Now order Digital Controls. Outside Air Damper - no longer offered. Colors are all monochrome unless special request.
*Consult Brasch Sales Representative for specific configuration needs