

BRASCH

425 Hanley Industrial Court, St. Louis, MO, 63144
 Phone: 1 888 731-7010
 www.braschmfg.com

INSTRUCTIONS BH-935 Series

WARNING

When using electrical appliances, basic precautions should always be taken to reduce the risk of fire, electrical shock and injury, including the following.

Read carefully these instructions before installation, operation of the heater. Failure to adhere to the instructions could result in fire, electric shock, serious personal injury, and death or property damage. Review frequently for continuing safe operation and instruction of future users, if necessary.

IMPORTANT INSTRUCTIONS

- 1- Read all instructions before installing or using this heater.
- 2- This heater is hot when in use. To avoid burns, do not let bare skin touch hot surfaces. Keep combustible materials, like furniture, pillows, bedding, papers, clothes, and curtains at least 36 in. (915 mm) from the front of the heater and away from the sides.
- 3- Extreme caution is necessary when any heater is used by or near children or invalids and whenever the heater is left operating and unattended.
- 4- Do not operate any heater after it malfunctions. Disconnect power at service panel and have heater inspected by a reputable electrician before reusing.
- 5- Do not use outdoors.
- 6- To disconnect heater, turn controls to off, and turn off power to heater circuit at main disconnect panel.
- 7- Do not insert or allow foreign objects to enter any ventilation or exhaust opening as this may cause an electric shock or fire, or damage the heater.
- 8- Do not block air intakes or exhaust in any way whatsoever.
- 9- This heater has hot and arcing or sparking parts inside. Do not use it in areas where gasoline, paint, or flammable liquids are used or stored.
- 10- Use this heater only as described in this manual. Any other use not recommended by the manufacturer may cause fire, electric shock, or injury.
- 11- The thermostat should not be considered an infallible device in cases where maintaining a temperature is considered critical. Examples: Hazardous material storage, computer server room, etc. In these particular cases, it is imperative to add a monitoring system to avoid the consequences of a thermostat failure.

SAVE THESE INSTRUCTIONS

INS564-200306-08

INSTALLATION INSTRUCTIONS

CAUTION:

- Use supply wires suitable for 75 °C (167 °F).
- For bathroom use, the heater must be installed so that switches and other controls cannot be touched by anyone in the bath or shower. Comply with applicable electrical code for minimums clearances from water access and the use of ground fault circuit interrupter (GFCI).
- If an electronic thermostat is used, it must be compatible with forced-air heaters.

RECESS WALL MOUNTING:

- 1- Use the template provided with the heater.
- 2- Make a minimum opening of 2 in. (51 mm) deep. The minimum distance from heater base to floor is 12 in. (305 mm).
- 3- Remove the heater front panel.
- 4- Remove the connection box cover.
- 5- Remove the appropriate knock-out from the box for the electrical supply.
- 6- Secure the heater by using the screws supplied. Remove 3/16 in. (4.8 mm) side knock-outs or use the holes at the back of the heater.
- 7- Make connections according to local and national codes.
- 8- Put all covers back on the heater and test.
 - a) Adjust heater thermostat at maximum setting.
 - b) Adjust thermostat at minimum setting and set the timer.

SURFACE WALL MOUNTING:

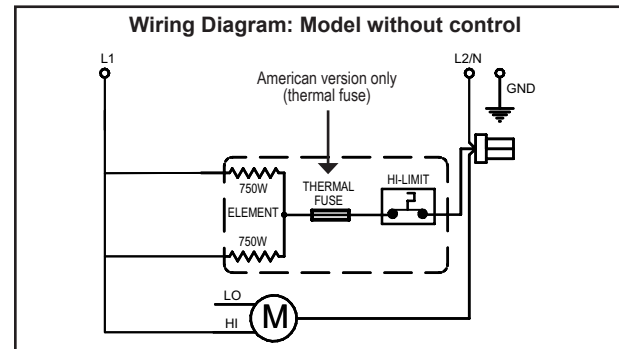
- 1- Locate the power supply leads behind the planned location of the heater. The minimum distance from heater base to floor is 12 in. (305 mm).
- 2- Follow steps 3 to 8 of the RECESS WALL MOUNTING.

CAUTION:

High temperature, risk of fire, keep electrical cords, drapery, furnishings, and other combustibles at least 36 in. (915 mm) from the front of the heater and away from the sides. To reduce the risk of fire, do not store or use gasoline or other flammable vapors and liquids in the vicinity of the heater.

IMPORTANT

Do not obstruct the front of the heater for at least 48 in. (1200 mm).



OPERATING INSTRUCTIONS

- The heater must be properly installed before it is used.
- Turn the power on at the circuit breaker panel.
- Electronic thermostat: be sure to set it on the fan mode.

CONTROL:

Model with thermostat:

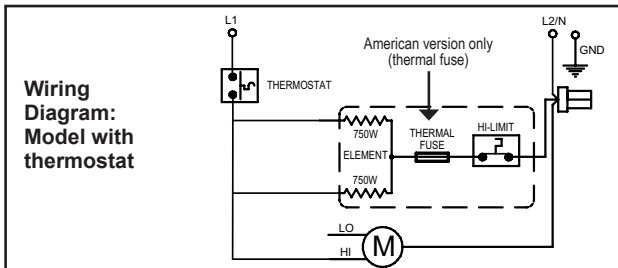
- To set thermostat at the desired temperature, follow these steps:
- Set thermostat at maximum temperature (turn clockwise).
 - When the desired temperature is reached, turn the thermostat knob counter-clockwise slowly until you hear a click.
 - The thermostat will maintain this room temperature.

Model with thermostat and timer:

The thermostat maintains the desired set temperature. The timer allows for quick heat-up to 1500W (high-speed) before a bath, shower, or when necessary. The heater returns to the thermostat mode automatically or manually.

Model without control:

Maintains room temperature by a line-voltage wall thermostat approved for inductive loads (not supplied). A pulsing electronic thermostat must not be used with this model (1500W).



MAINTENANCE INSTRUCTIONS

- 1- Once every quarter, remove the front panel and use a vacuum cleaner to remove the dust accumulation inside the heater and through openings of the front panel.
- 2- Cleaning should be done while the heater is disconnected from the main service panel. Wait until the housing and heating element cool before performing maintenance.
- 3- Replace the front panel before energizing.
- 4- Factory-lubricated motor. No lubrication required.
- 5- Any other servicing should be performed by a qualified technician.

