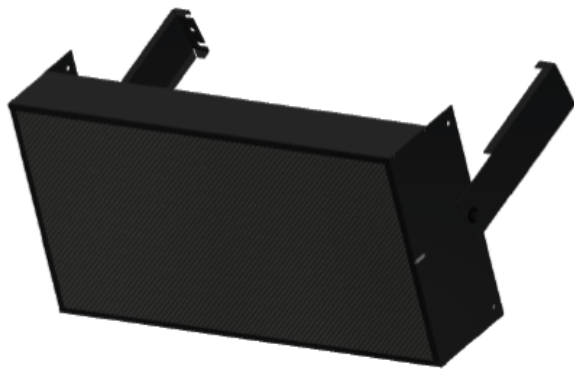


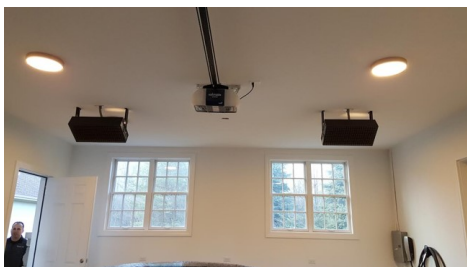


STS & SST Thin

***ELECTRIC INFRARED
COMFORT HEATERS***



- 100% electric IR flat panel emitter, operates in long wave length.
- Listed for mounted or suspended indoor and outdoor protected environments. Ideal for comfort heating and snow/ice control.
- Single and Three Phase designs. All standard US voltages available.
- All models available in Stainless Steel or high temp powder coated black or white.
- ZERO MAINTENANCE: no moving parts, , no fans, and no dangerous bulbs to clean or replace.
- No orange glow: this heater does not emit any visible light.
- 95% energy efficient
- MADE IN THE USA



Brasch

425 Hanley Industrial Court – St. Louis, MO 63144 – 314.333.5531

www.braschmfg.com

MKL - 3064 - 01

Shipping Weight 10 lbs.

MODEL 1x - 1x1

MODEL	BTUs*	WATTS	SINGLE PHASE	
			120v	240v
BH-ST5-U12-0871B	2972	871	7.3	--
BH-ST5-U12-1081B	3707	1081	9.0	--
BH-ST5-U12-1111B	3789	1111	9.3	--
BH-ST5-U12-1681B	5927	1681	14.2	--
BH-ST5-U12-1436J	5573	1436	6.8	--

Shipping Weight 20 lbs.

MODEL 2x - 2x1

MODEL	BTUs*	WATTS	SINGLE PHASE			THREE PHASE
			120v	208v	240v	240v
BH-ST5-U24-1015V	3559	1015/783	--	3.8	4.3	--
BH-ST5-U24-1316B	4490	1316	11.0	--	--	--
BH-ST5-U24-1297V	4426	1297/974	--	4.7	5.4	--
BH-ST5-U24-1659B	5662	1659	13.8	--	--	--
BH-ST5-U24-1701V	5804	1701/1278	--	6.1	7.1	--
BH-ST5-U24-2192B	7479	2192	18.3	--	--	--
BH-ST5-U24-2001V	6827	2001/1503	--	7.2	8.3	--
BH-ST5-U24-2222B	7578	2222	18.5	--	--	--
BH-ST5-U24-2428V	8285	2428/1824	--	8.8	10.2	--
BH-ST5-U24-3363B	11614	3363	28.4	--	--	--
BH-ST5-U24-3239V	11052	3239/2433	--	11.7	13.5	--
BH-ST5-U24-1992P	6811	1992	--	--	--	4.8
BH-ST5-U24-2442P	8351	2442	--	--	--	5.9
BH-ST5-U24-3041P	10400	3041	--	--	--	7.3

Shipping Weight 38 lbs.

MODEL 4x - 4x1

MODEL	BTUs*	WATTS	SINGLE PHASE					THREE PHASE	
			120v	208v	240v	277v	480v	240v	480v
BH-ST5-U48-2030T	7118	2030	--	--	--	--	4.3	--	--
BH-ST5-U48-2030V	7118	2030/1567	--	7.5	8.7	--	--	--	--
BH-ST5-U48-2594T	8851	2594	--	--	--	--	5.4	--	--
BH-ST5-U48-2594V	8851	2594/1948	--	9.4	10.8	--	--	--	--
BH-ST5-U48-3402T	11608	3402	--	--	--	--	7.1	--	--
BH-ST5-U48-3402V	11608	3402/2555	--	12.3	14.2	--	--	--	--
BH-ST5-U48-4002T	13654	4002	--	--	--	--	8.3	--	--
BH-ST5-U48-4002V	13654	4002/3006	--	14.5	16.7	--	--	--	--
BH-ST5-U48-3964N	13526	3964	--	--	--	14.3	--	--	--
BH-ST5-U48-4856T	16570	4856	--	--	--	--	10.1	--	--
BH-ST5-U48-4856V	16570	4856/3647	--	17.5	20.2	--	--	--	--
BH-ST5-U48-4776N	16296	4776	--	--	--	17.2	--	--	--
BH-ST5-U48-6478T	22104	6478	--	--	--	--	13.5	--	--
BH-ST5-U48-6478V	22104	6478/4866	--	23.4	27.0	--	--	--	--
BH-ST5-U48-6056N	20516	6056	--	--	--	21.7	--	--	--
BH-ST5-U48-3971P	13582	3971	--	--	--	--	--	9.6	--
BH-ST5-U48-3928U	13803	3928	--	--	--	--	--	--	4.9
BH-ST5-U48-4794P	16396	4797	--	--	--	--	--	11.6	--
BH-ST5-U48-4838U	16545	4838	--	--	--	--	--	--	5.8
BH-ST5-U48-5954P	20933	5954	--	--	--	--	--	14.8	--
BH-ST5-U48-6060U	20729	6060	--	--	--	--	--	--	7.3

SST Thin

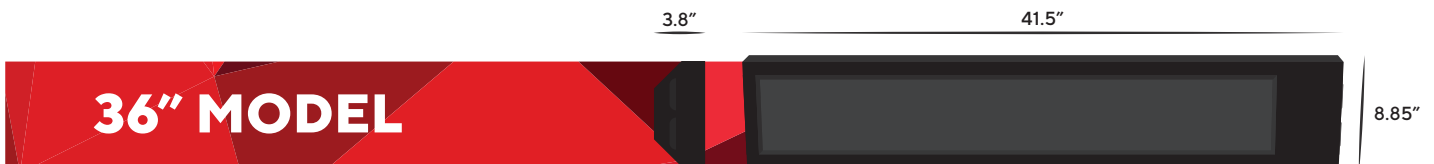


18" MODEL

SINGLE PHASE

MODEL	BTUs*	WATTS	120v
BH-STT-U18-1091B	3723	1091	9.1
BH-STTU18-1330B	4712	1330	11.5
BH-STT-U18-1767B	6053	1767	14.8
BH-STT-U18-2161B	7373	2161	18.1

Shipping Weight 16 lbs

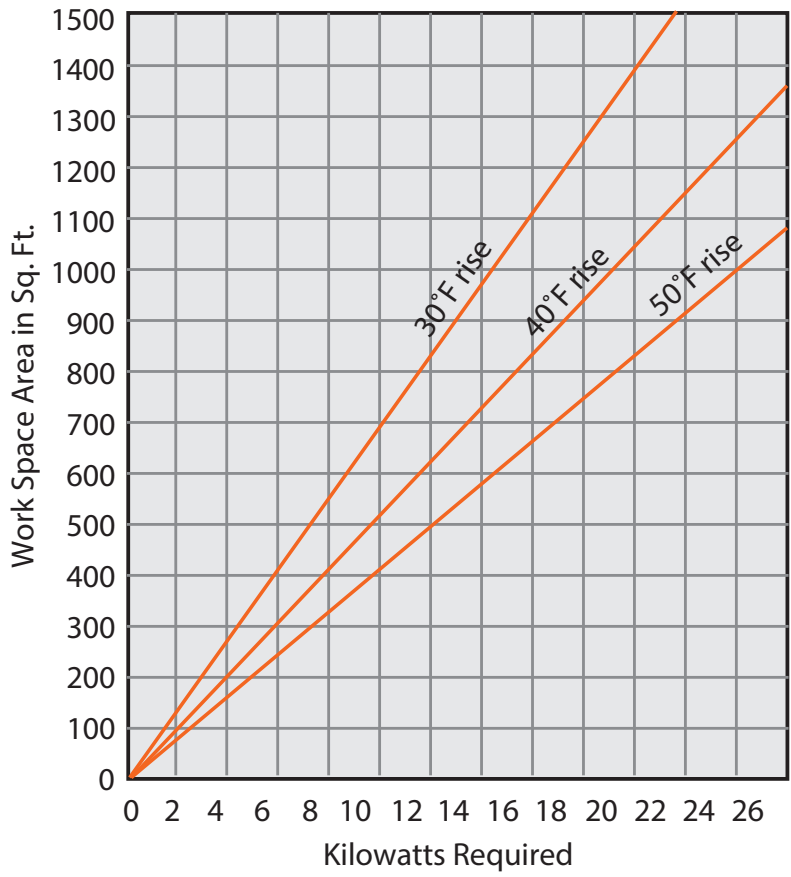


36" MODEL

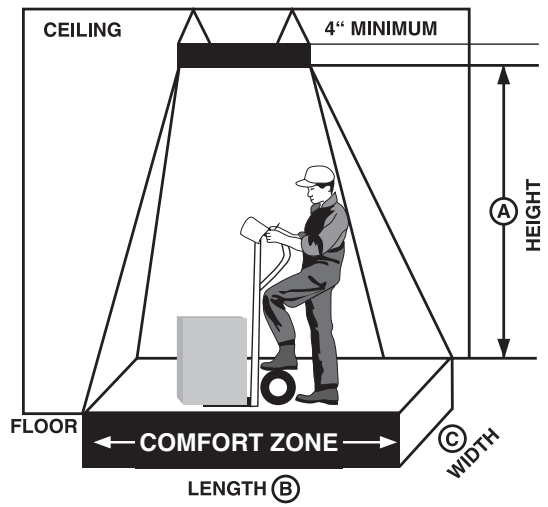
SINGLE PHASE

MODEL	BTUs*	WATTS	208v	240v
BH-STT-U36-2180V	7438	2180/1635	6.8	9.1
BH-STT-U36-2660V	9421	2660/2071	8.6	11.5
BH-STT-U36-3104V	10591	3104/2328	9.7	12.9
BH-STT-U36-3534V	12106	3534/2661	11.1	14.8
BH-STT-U36-4322	14747	4322/3242	13.6	18.1

Shipping Weight 21lbs



HEIGHT A	LENGTH B			WIDTH C
	Model #1 12" Length	Model #2 24" Length	Model #3 48" Length	
6 ft.	7' 10"	8' 10"	10' 10"	7' 10"
8 ft.	10' 2"	11' 2"	13' 2"	10' 2"
10 ft.	12' 6"	13' 6"	15' 6"	12' 6"
12 ft.	14' 10"	15' 10"	17' 10"	14' 10"
14 ft.	17' 2"	20' 2"	22' 2"	17' 2"



INVIZATHERM METHODS OF INSTALLATION:



Do not install the heater closer than:

- 4 inches to a horizontal surface
- 12 inches to a vertical surface
- 36 inches to another heater
- 6 feet from the floor

INDOOR

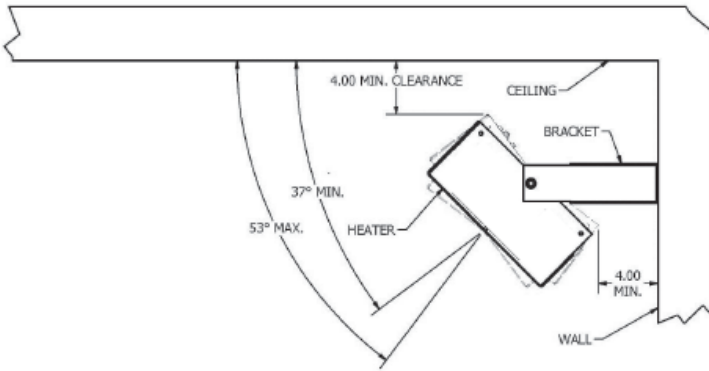


Fig. 1 – WALL MOUNTING

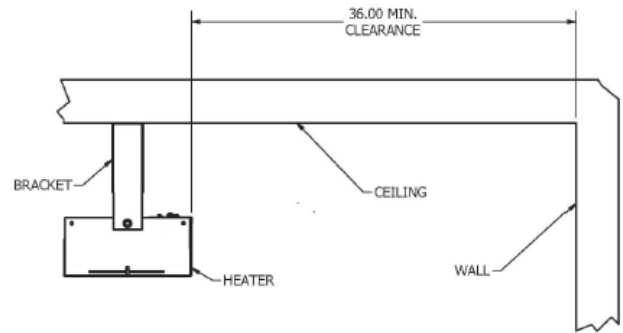


Fig. 2 – CEILING MOUNTING VERTICAL

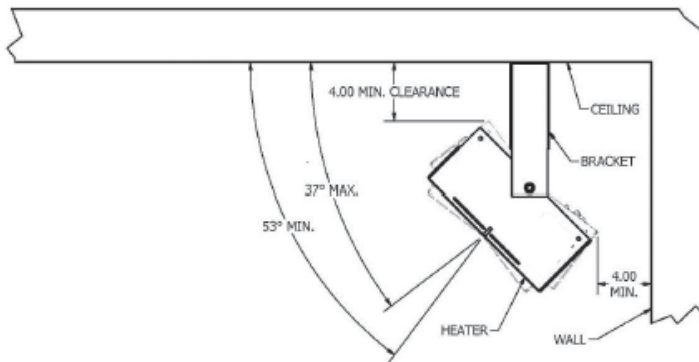


Fig. 3 – CEILING MOUNTING ANGLED AWAY FROM VERTICAL SURFACE

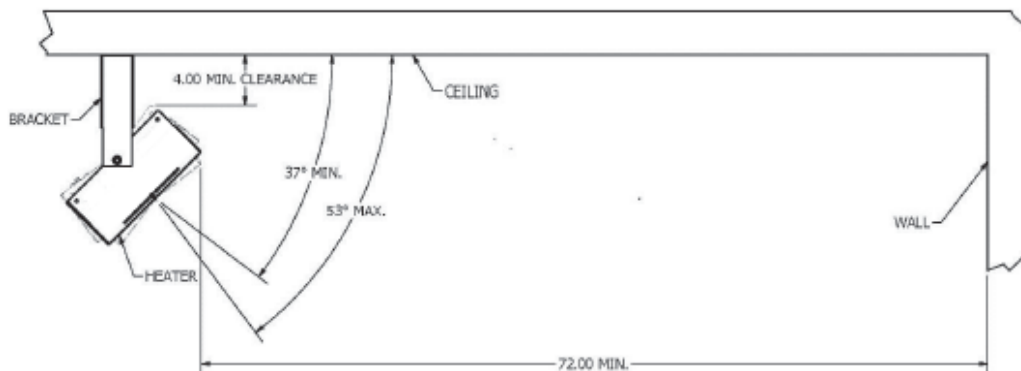


Fig. 4 – CEILING MOUNTING ANGLED TOWARDS VERTICAL SURFACE

PROTECTED AREA

A *Protected Area* is defined as “Located in an area that is partially protected from the effects of weathering.” Typical *protected areas* would be the underside of a pavilion with a roof, garage port, and the like.



Adhere to all mounting guidelines above. Additionally: no less than 18" from ledge.

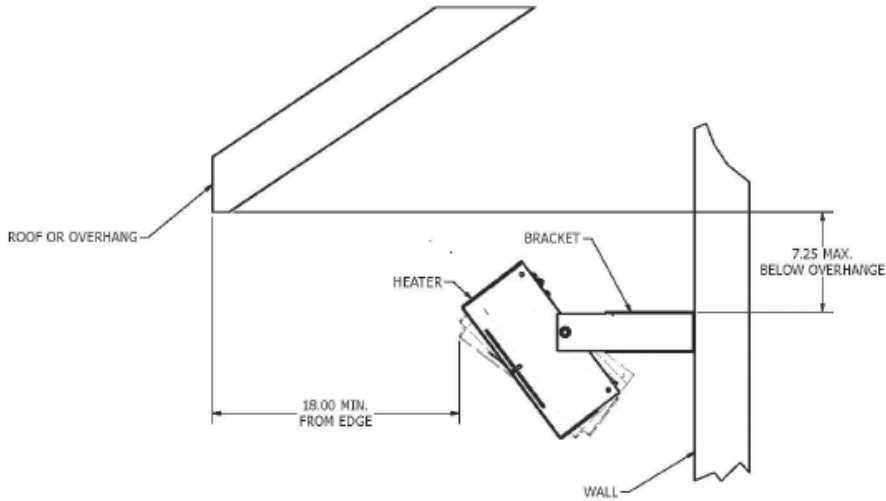


Fig. 5 – PROTECTED AREA WALL MOUNTING

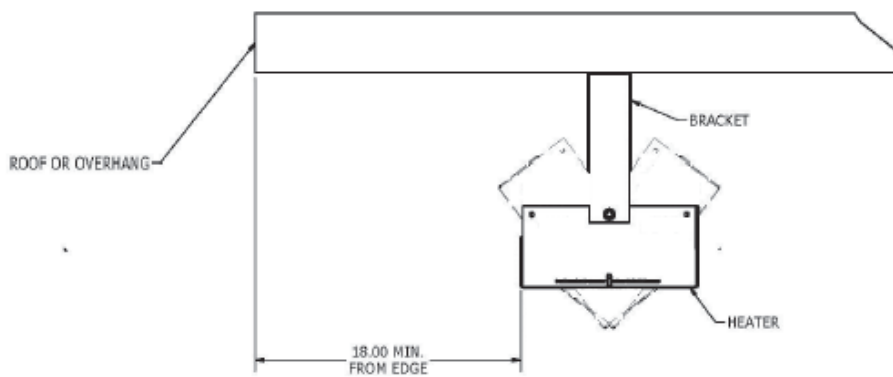


Fig. 6 – PROTECTED AREA CEILING MOUNTING

STS Infrared Heater Specifications



The electric infrared heater shall be STS as manufactured by Brasch, St. Louis, MO. The construction and design shall permit it to be ceiling or wall mounted, with the use of the mounting brackets supplied, or chain hung according to supplied instructions. Heaters shall include the features listed below.

HEATING ASSEMBLY: The heating assembly shall be UL listed under standard 2021 and shall consist of single stranded, non-coiled Ni-Chrome wire embedded in vitrified ceramic fiber and backed with high density, low biopersistent Fiberfrax insulation. The emitting surface is covered with a black-coated high temperature fiberglass cloth.

WIRING: For connection to the power supply, STS heaters will be prewired with leads housed in a 24 inch flexible metal conduit and connector for j-box mounting.

CONSTRUCTION: The heaters are formed and welded together out of 16 ga. and 20 ga. CRS or stainless steel. If CRS, the heater must be powder coated with a high temp black or white finish.



For supply connections use the wire size (or larger) as directed by the chart below. All wires must be suitable for at least 75°C (167°F).

SUPPLY CONNECTIONS				
MODEL NUMBER	120 VOLT AWG. WIRE SIZE	208/240 VOLT AWG. WIRE SIZE	277 VOLT AWG. WIRE SIZE	480 VOLT AWG. WIRE SIZE
BH-ST5-U24-1992P BH-ST5-U24-2442P BH-ST5-U24-3041P BH-ST5-U48-3971P	-	14	-	-
BH-ST5-U48-4794P BH-ST5-U48-5954P	-	12	-	-
BH-ST5-U48-3928U BH-ST5-U48-4838U BH-ST5-U48-6060U	-	-	-	14

SUPPLY CONNECTIONS

MODEL NUMBER	120 VOLT AWG. WIRE SIZE	208/240 VOLT AWG. WIRE SIZE	277 VOLT AWG. WIRE SIZE	480 VOLT AWG. WIRE SIZE
BH-STS-U12-0871B BH-STS-U12-1081B	14	-	-	-
BH-STS-U12-1111B BH-STS-U12-1681B	12	-	-	-
BH-STS-U12-1436J	-	14	-	-
BH-STS-U24-1015V BH-STS-U24-1316B	14	-	-	-
BH-STS-U24-1659B	12	-	-	-
BH-STS-U24-2192B BH-STS-U24-2222B	10	-	-	-
BH-STS-U24-3363B	8	-	-	-
BH-STS-U24-1297V BH-STS-U24-1701V BH-STS-U24-2001V BH-STS-U24-2428V	-	14	-	-
BH-STS-U24-3239V	-	12	-	-
BH-STS-U48-2030V BH-STS-U48-2594V	-	14	-	-
BH-STS-U48-3402V	-	12	-	-
BH-STS-U48-4002V BH-STS-U48-4856V	-	10	-	-
BH-STS-U48-6478V	-	8	-	-
BH-STS-U48-2030T BH-STS-U48-2594T	-	14	-	14
BH-STS-U48-3402T	-	12	-	14
BH-STS-U48-4002T BH-STS-U48-4856T	-	10	-	14
BH-STS-U48-6478T	-	8	-	12
BH-STS-U48-3964N	-	-	12	-
BH-STS-U48-4776N BH-STS-U48-6056N	-	-	10	-

FIG. 2 - 12" x 12" SECTIONS
 120 / 208 / 240 VOLT - SINGLE PHASE

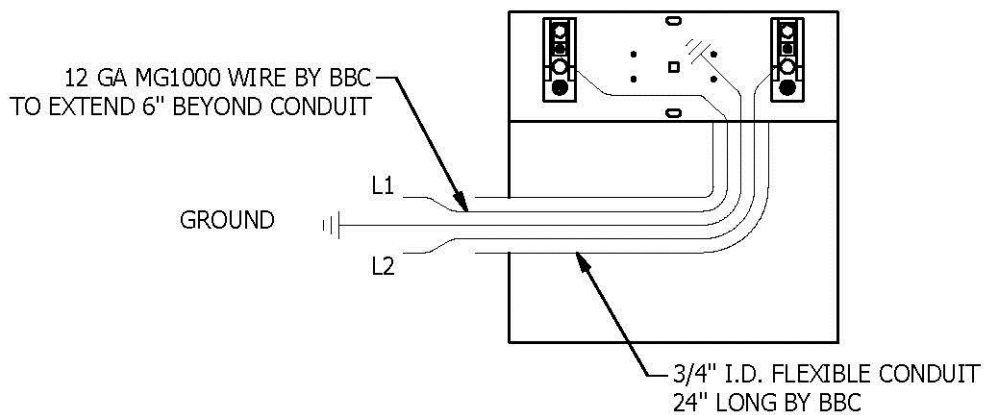
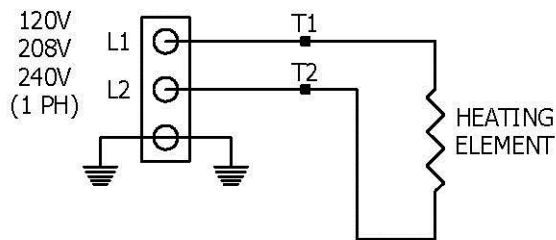
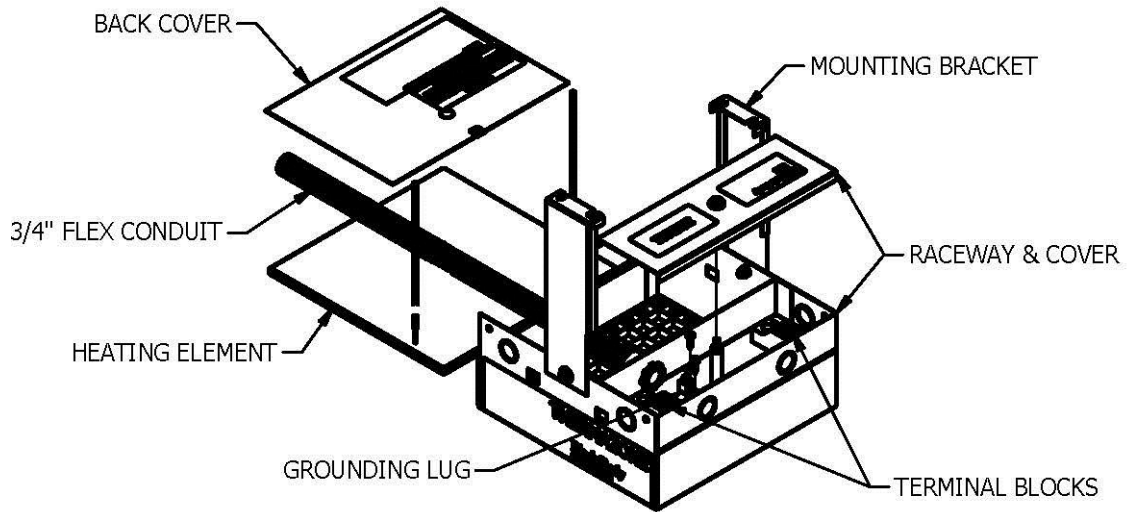


FIG. 3 - 24" x 12" SECTIONS (DUAL ELEMENT)
120 VOLT - SINGLE PHASE

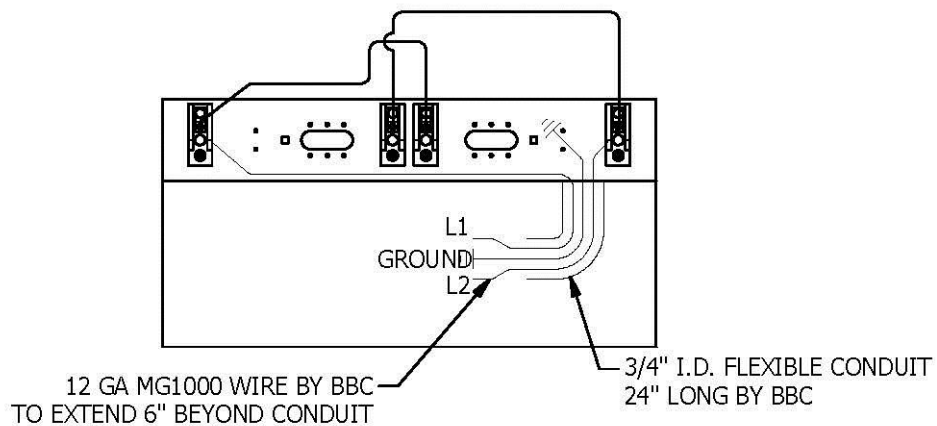
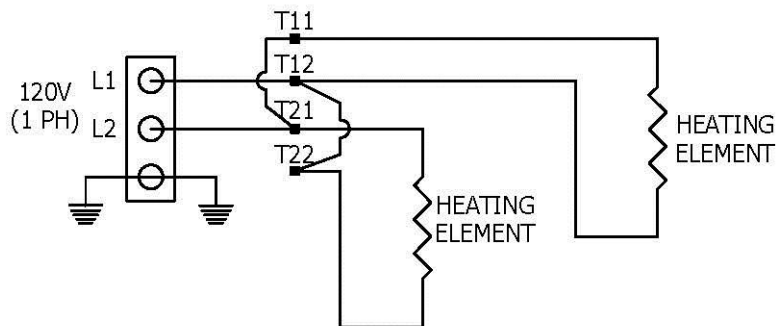
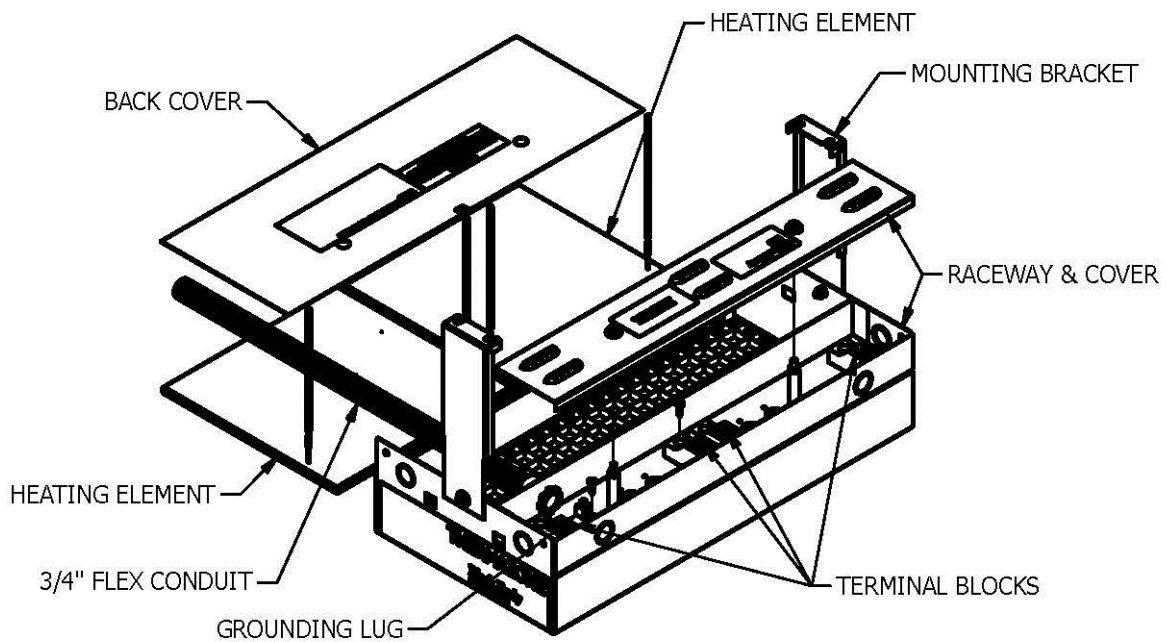


FIG. 4 - 24" x 12" SECTIONS (SINGLE ELEMENT)
120 / 208 / 240 VOLT - SINGLE PHASE

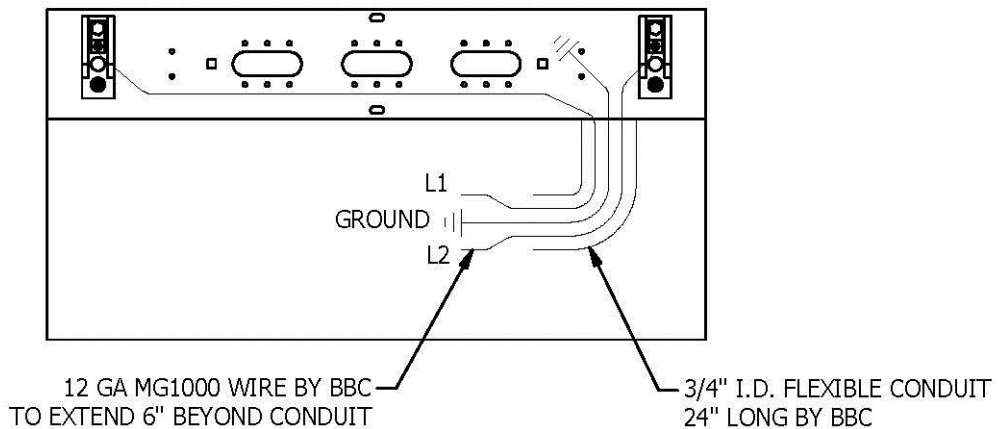
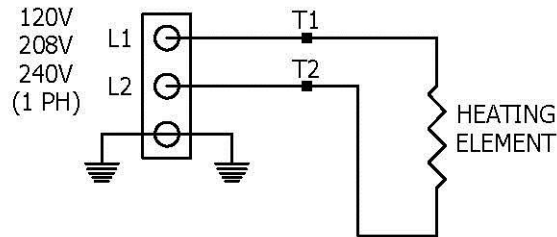
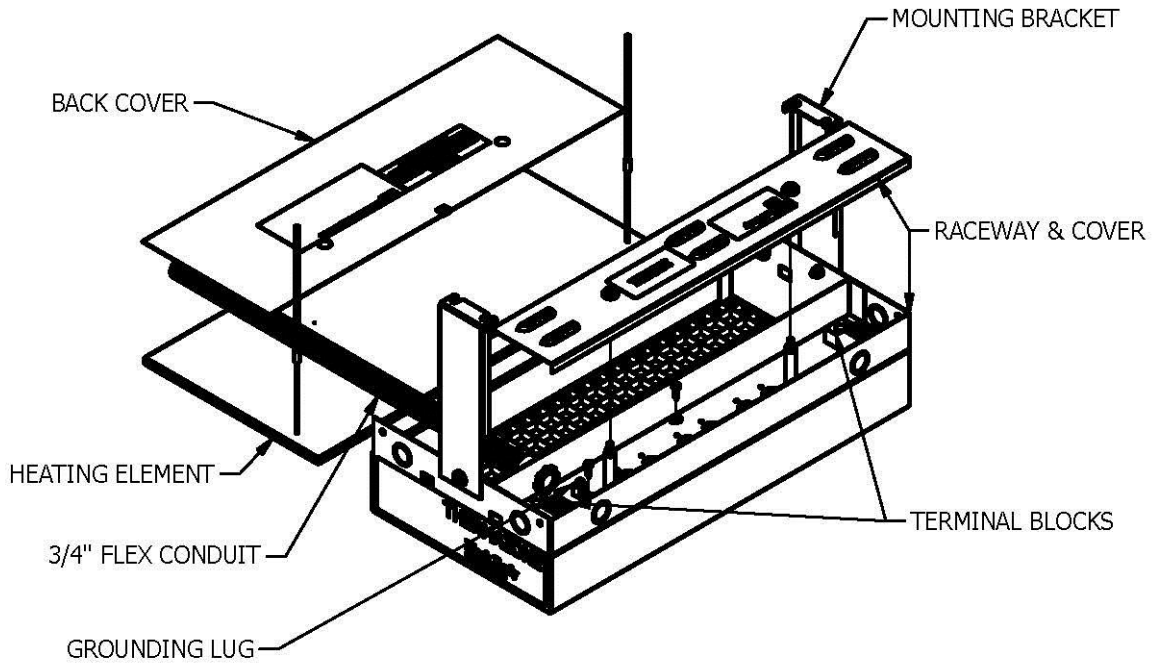
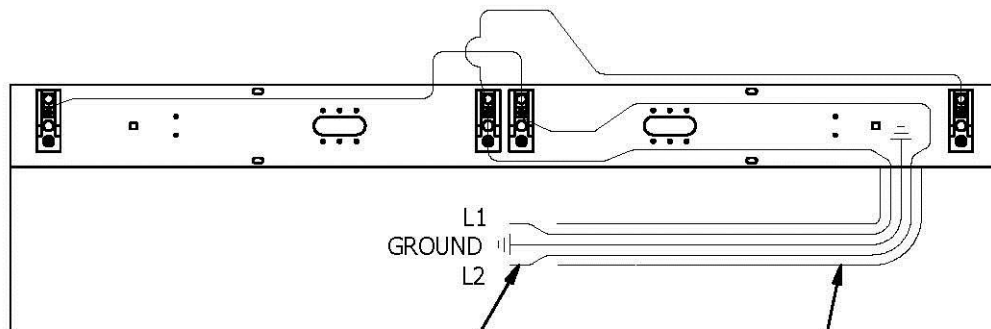
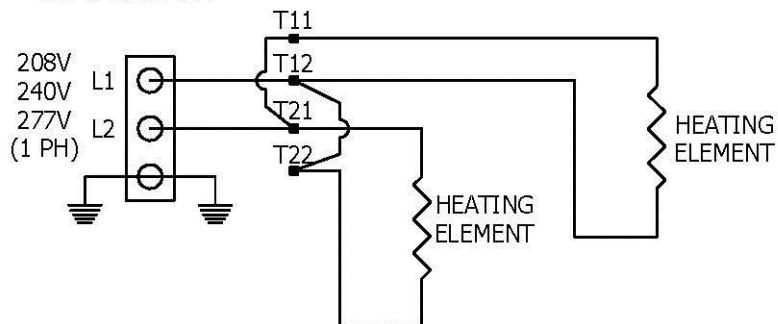
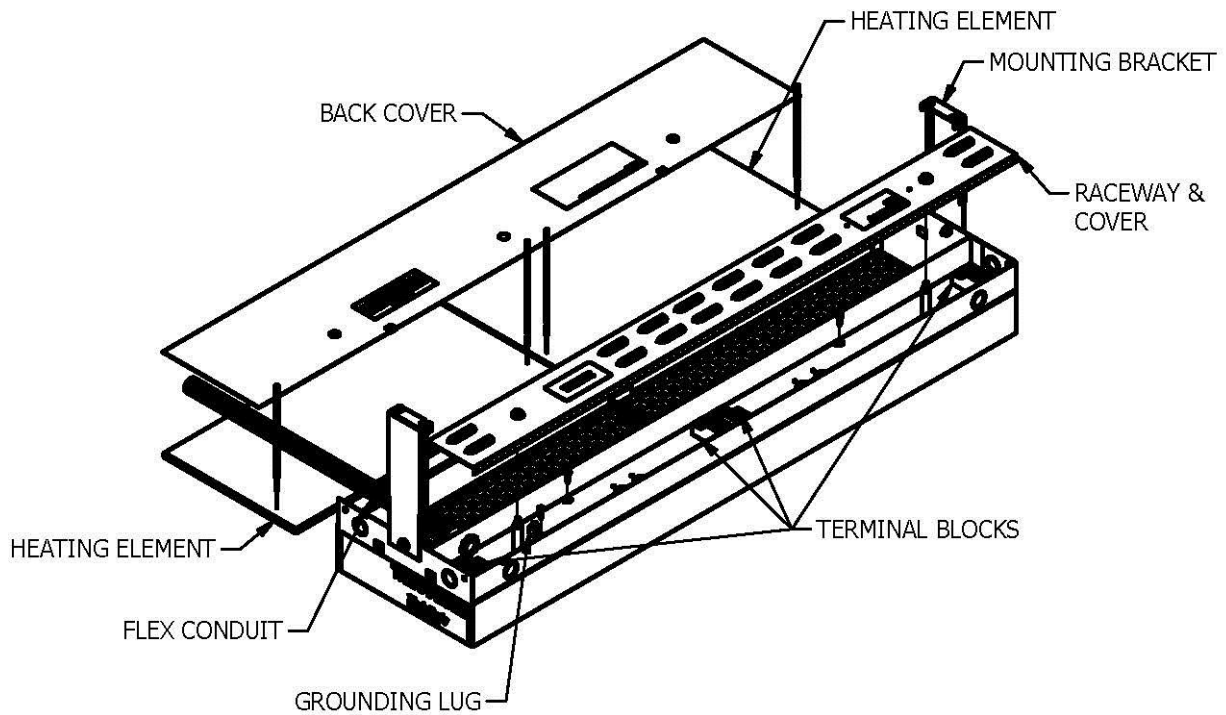


FIG. 5 - 48" x 12" SECTIONS
 208 / 240 / 277 VOLT - SINGLE PHASE



12 GA MG1000 WIRE BY BBC
 TO EXTEND 6" BEYOND CONDUIT

3/4" I.D. FLEXIBLE CONDUIT
 24" LONG BY BBC

FIG. 6 - 48" x 12" SECTIONS
 277 / DV (480 VOLT WIRING) - SINGLE PHASE

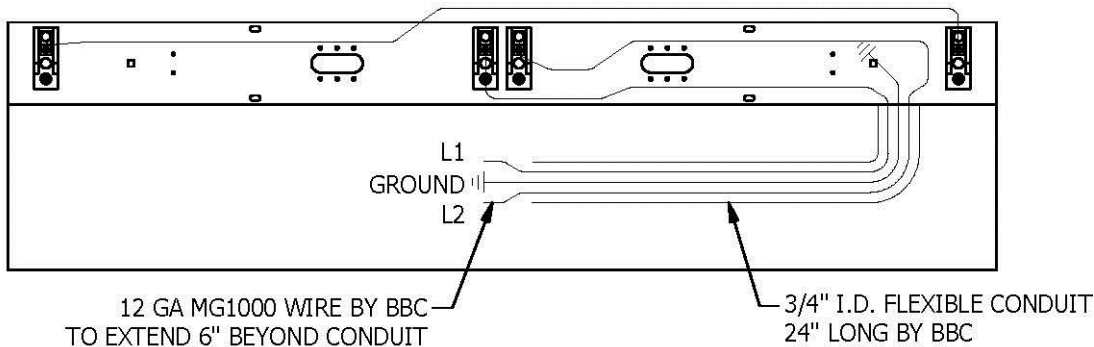
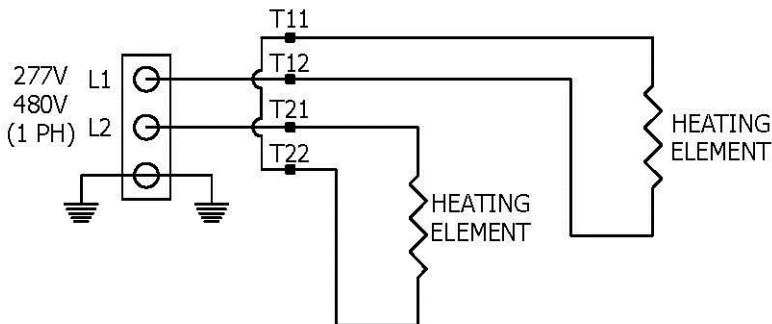
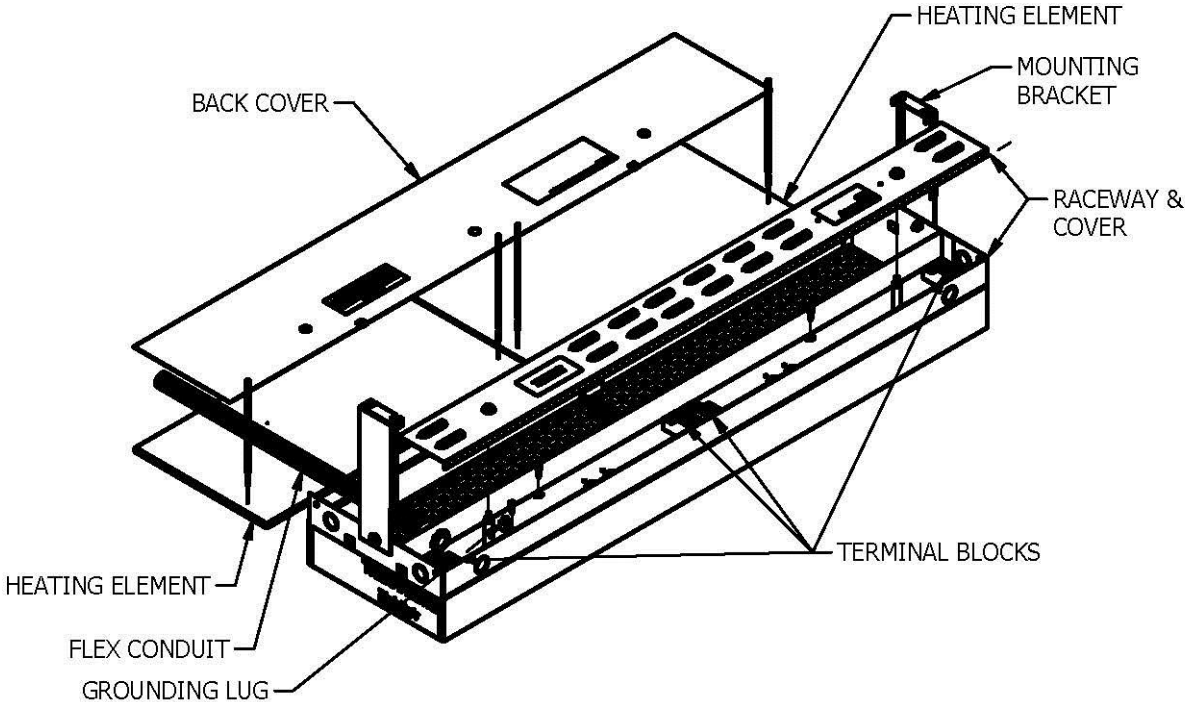


FIG. 7 - 24" x 12" SECTIONS 240 VOLTS - THREE PHASE

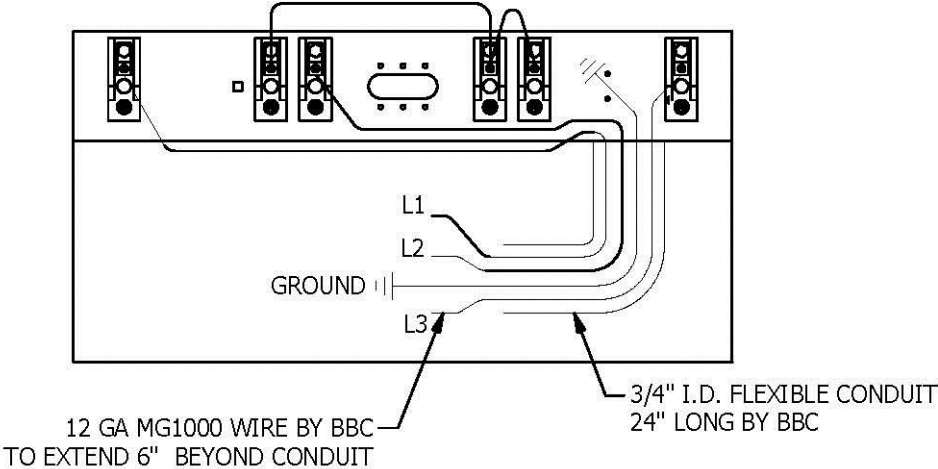
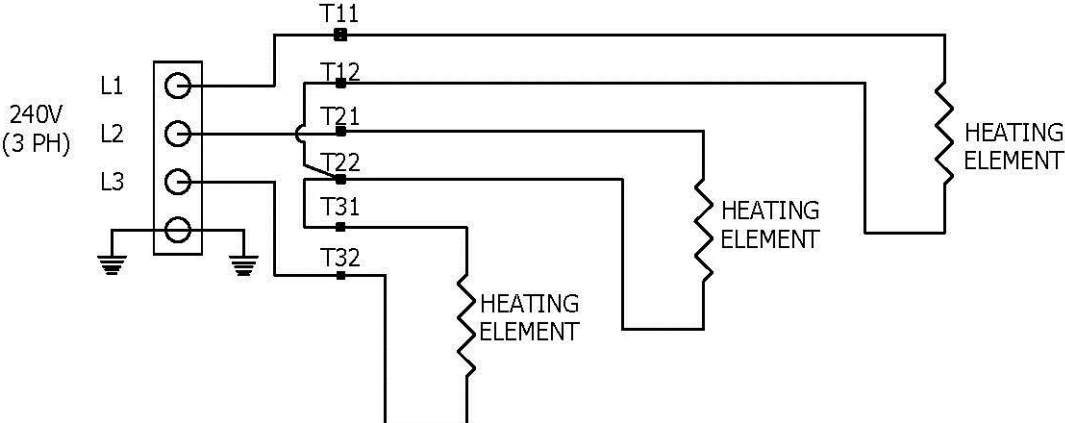
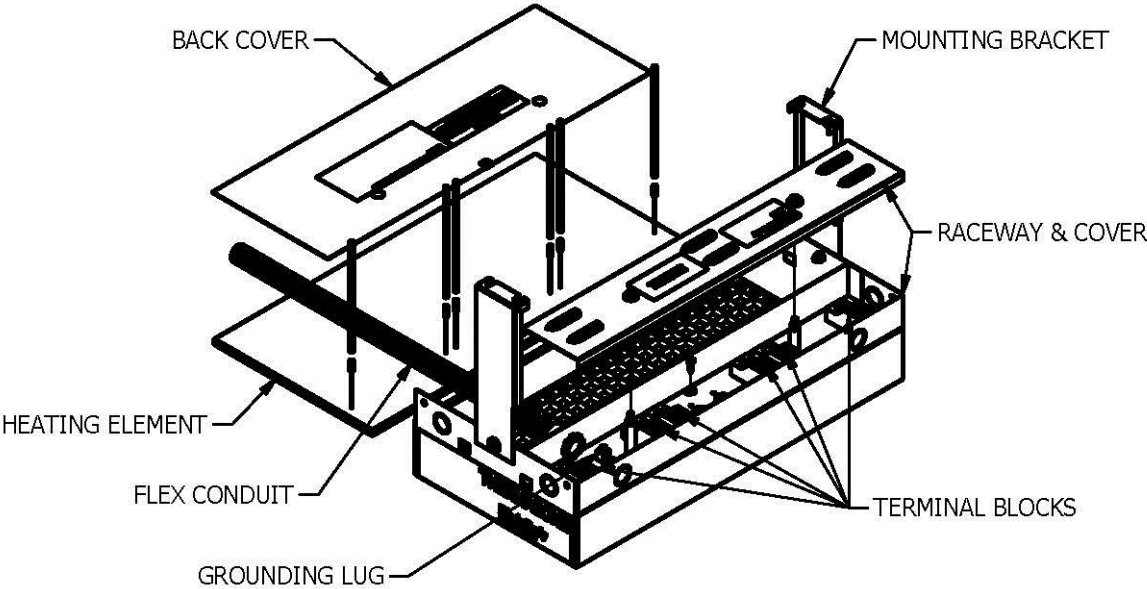
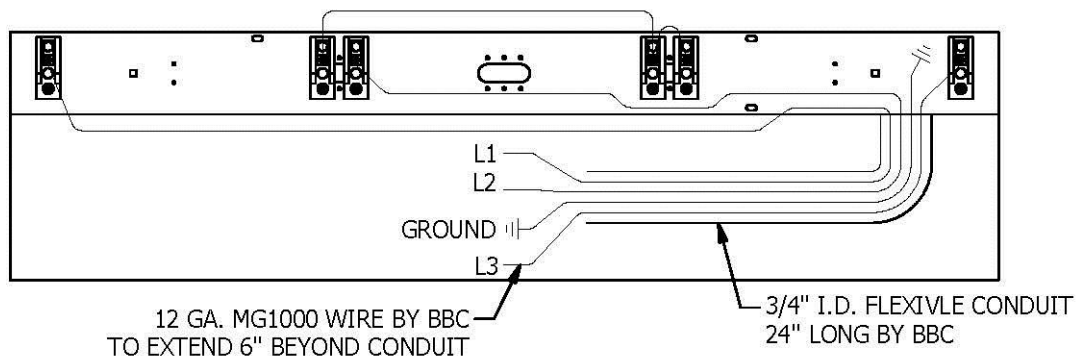
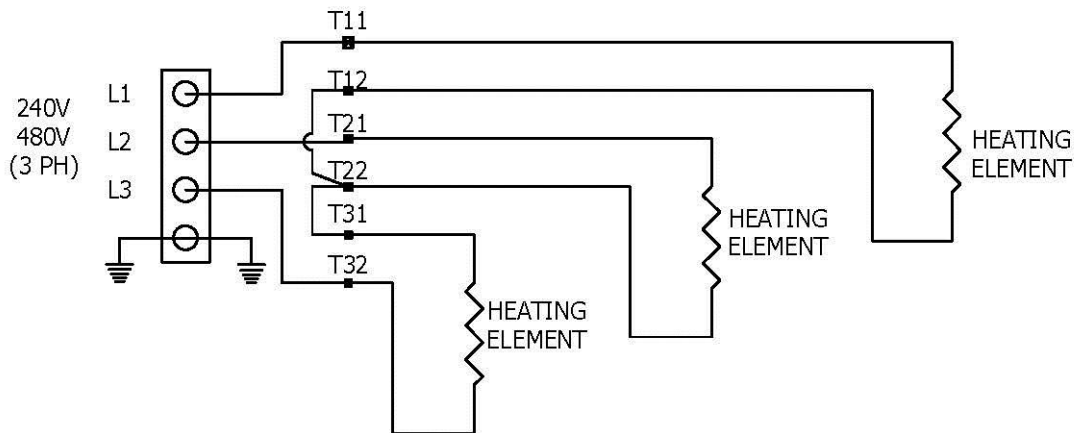
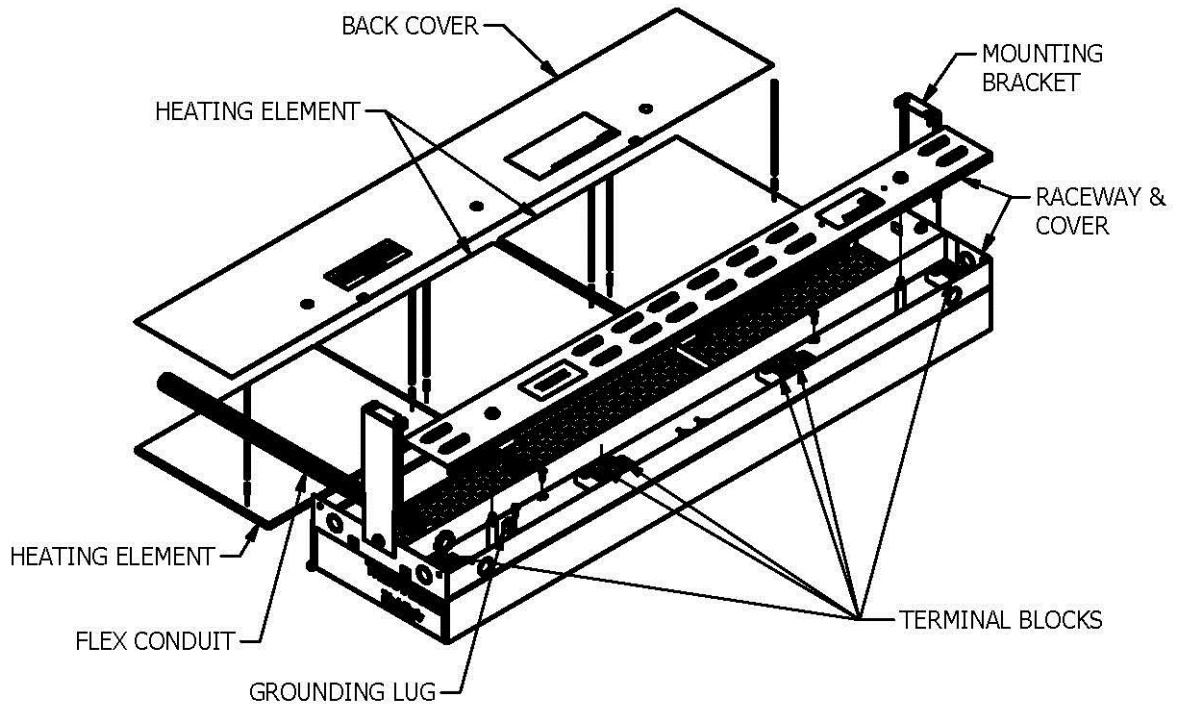


FIG. 8 - 48" x 12" SECTIONS 240 / 480 VOLTS - THREE PHASE



SST THIN METHODS OF INSTALLATION:



Do not install the section closer than:

INDOOR

- 36 inches to a vertical surface for vertical mounting
- 6-7/8 inches to a vertical surface for angled ceiling mounting
- 6-7/8 inches to a horizontal surface for wall mounting
- 12 inches to an adjacent vertical surface
- 36 inches to another heater
- 6 feet from the floor

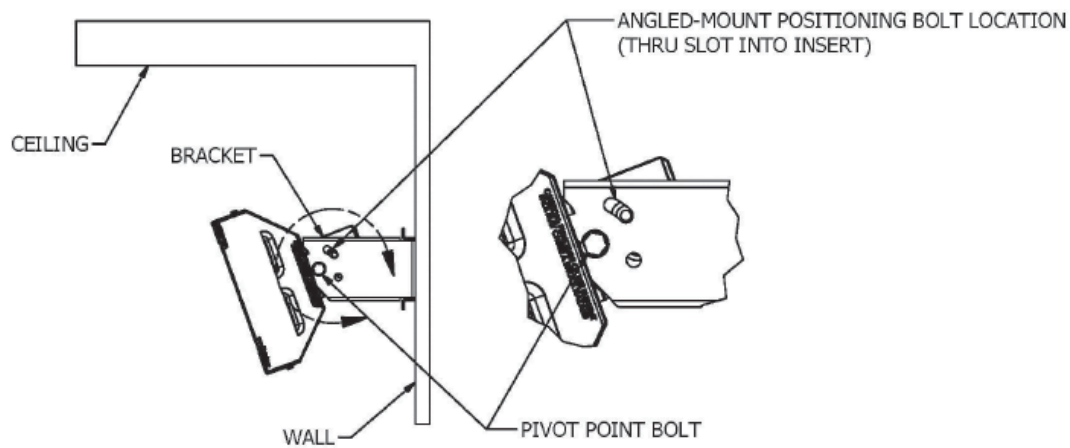


Fig. 1 – ANGLED POSITIONING FOR WALL MOUNTING



WARNING! Risk of fire. Do not position any heater at an angle not allowed by the slotted hole (20°-45°).

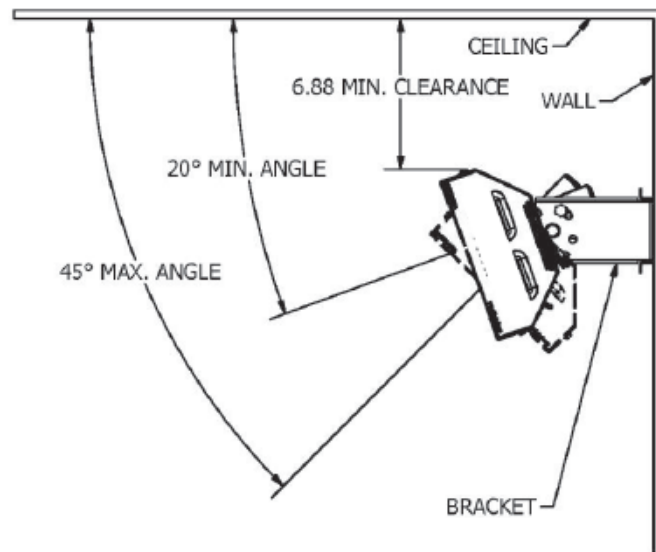


Fig. 2 – WALL MOUNTING

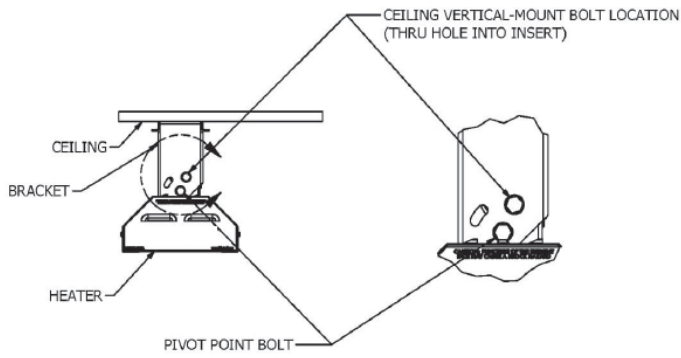


Fig. 3 – CEILING ONLY VERTICAL MOUNTING POSITIONING

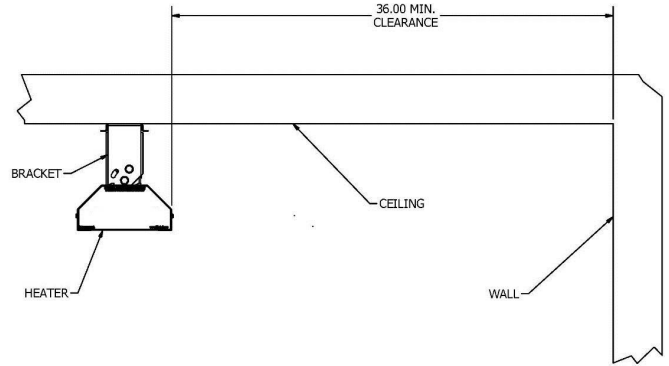


Fig. 4 – CEILING MOUNTING ANGLED AWAY FROM VERTICAL SURFACE

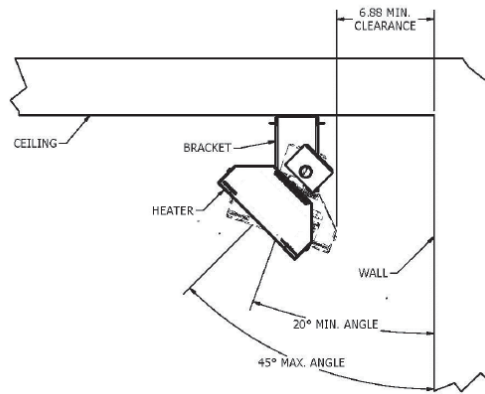


Fig. 5 – CEILING MOUNTING VERTICAL

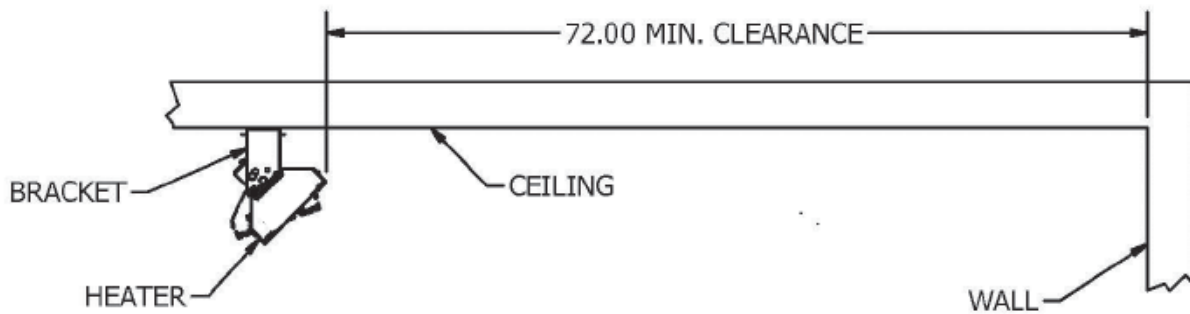


Fig. 6 – CEILING MOUNTING ANGLED TOWARDS VERTICAL SURFACE

PROTECTED AREA

A *Protected Area* is defined as “Located in an area that is partially protected from the effects of weathering.” Typical *protected areas* would be the underside of a pavilion with a roof, garage port, and the like.



Adhere to all mounting guidelines above. Additionally: no less than 12" from ledge.

The heater needs to be installed in a position such that it is protected from rain, snow, and similar outdoor wet areas.

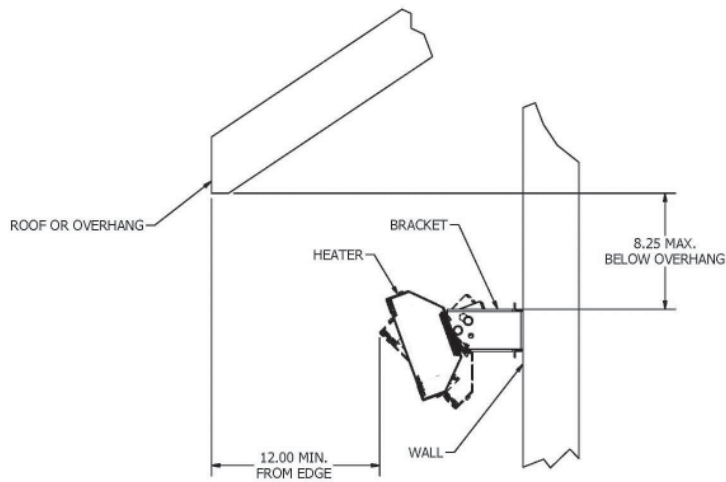


Fig. 7 – PROTECTED AREA WALL MOUNTING

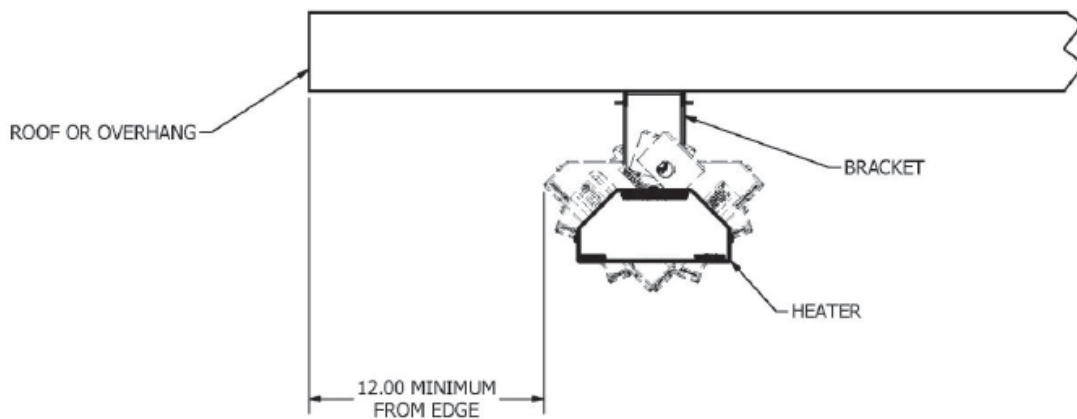


Fig. 6 – PROTECTED AREA CEILING MOUNTING

**SST Thin
Infrared Heater Specifications**

The electric infrared heater shall be SST Thin as manufactured by Brasch, St. Louis, MO. The construction and design shall permit it to be ceiling or wall mounted, with the use of the mounting brackets supplied, or chain hung according to supplied instructions. Heaters shall include the features listed below.

HEATING ASSEMBLY: The heating assembly shall be cULus listed under standard 2021 and shall consist of single stranded, non-coiled Ni-Chrome wire embedded in vitrified ceramic fiber and backed with high density, low biopersistent Fiberfrax insulation. The emitting surface is covered with a black-coated high temperature fiberglass cloth.

WIRING: For connection to the power supply, SST heaters will include an indoor outdoor rate j-box mounted to the heaters raceway.

CONSTRUCTION: The heaters are formed and welded together out of 16 ga. and 20 ga. CRS or stainless steel. If CRS, the heater must be powder coated with a high temp black or white finish.



For supply connections use the wire size (or larger) as directed by the chart below. All wires must be suitable for at least 90°C (194°F).

SUPPLY CONNECTIONS		
MODEL NUMBER	120 VOLT AWG. WIRE SIZE	208/240 VOLT AWG. WIRE SIZE
BH-STT-U18-1091B BH-STT-U18-1330B	14	-
BH-STT-U18-1767B	12	-
BH-STT-U18-2161B	10	-
BH-STT-U36-2180V BH-STT-U36-2660V	-	14
BH-STTU36-3104V BH-STT-U36-3534V	-	12
BH-STT-U36-4322V	-	10

