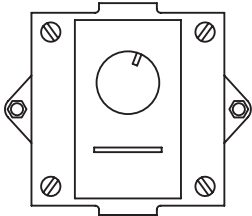
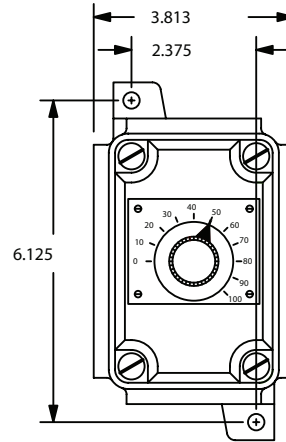


Remote Wall Mounted

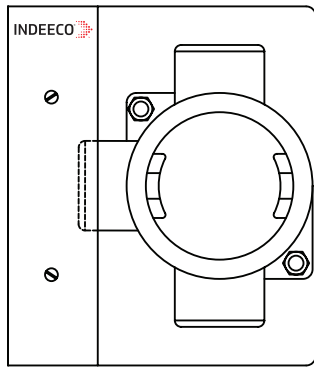


Part Number 1007002
 Single stage on-off control
 Class I, Division 1, Groups C&D
 Class II, Division 1, Groups E,F,G
 NEMA 7
 Type - SPDT
 22 amps at 125-277-volts
 Range - 50-90°F (10-32°C)
 CSA Certified and UL listed

Remote Duct Mounted



(Figure 1)

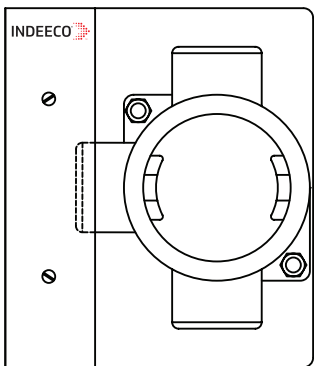


Part Numbers 1024754
 Corrosion Resistant option
 1025396
 Single stage on-off control
 Class I, Division 1, Groups B,C&D
 Class II, Division 1, Groups E,F,G
 NEMA 7
 Type - SPDT
 25 amps at 125-277-volts
 22 amps at 277-volts
 Range - 40-120°F

Internal set point adjustment requires threaded cover to removal to make adjustment, tamperproof feature.
 cCSA_{US} Certified

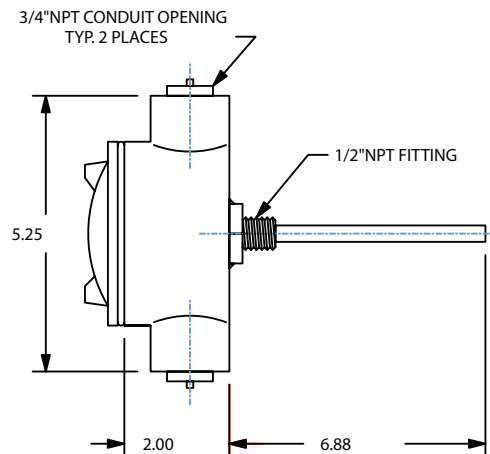
Wall mounting room set point adjuster (Figure 1) part number 810-102655 and duct mounting temperature sensor (Figure 2) part number 810-108449.
 Class I, Division 1, Groups C&D
 Class II, Division 2, Groups E,F,G
 NEMA type 7,9 (adjuster), NEMA type 4,7,9 (sensor)
 Proportional 2,200 ohm thermistor control for SCR and step controlled explosion-proof heaters
 Range - 0-100°F

Adjuster and sensor are suitable for use in explosion-proof areas but are not agency approved.



Part Numbers 1007018
 Corrosion Resistant 1018806
 Proportional Control for use with SCR and Step controllers
 Class I, Division 1, Groups B,C&D
 Class II, Division 1, Groups E,F,G
 NEMA 7
 Type - 2,200 ohm thermistor
 25 amps at 125-277-volts
 22 amps at 277-volts
 Range - 40-120°F

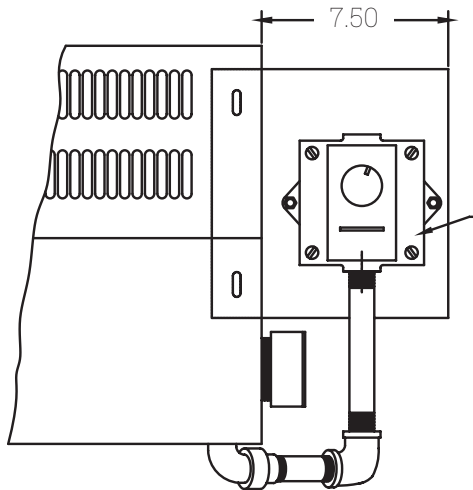
Internal set point adjustment requires threaded cover to removal to make adjustment, tamperproof feature.
 cCSA_{US} Certified



(Figure 2)

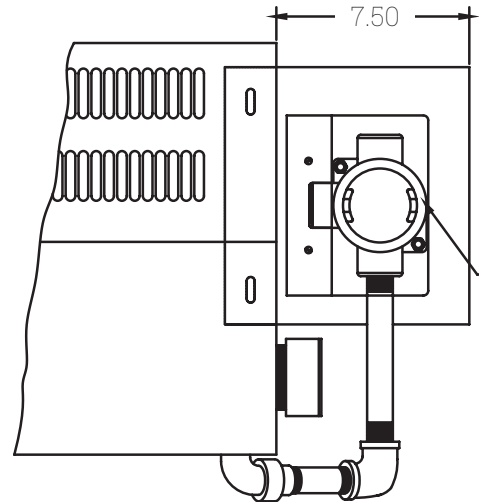


**Available for Heater Mounting
Series 254 Explosion-proof Convector**



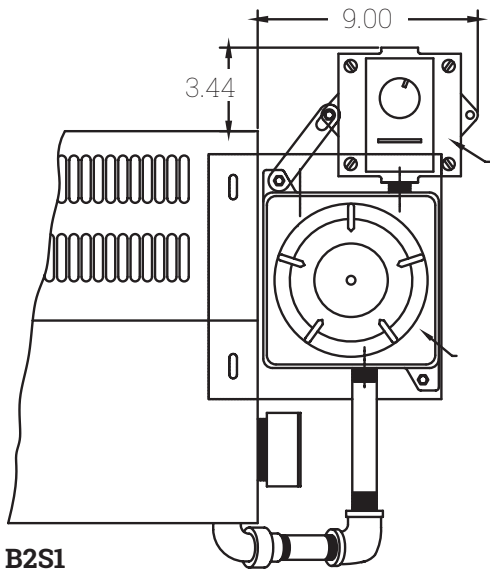
Option S1

Thermostat 1007002 mounted onto 254-series convector for on and off control wiring into thermostat $\frac{3}{4}$ " NPT conduit with a $\frac{1}{2}$ " conduit adapter. Thermostat is load carrying for use with single phase heater rated up to 22 amps and 277 volts, with external set point adjustment.



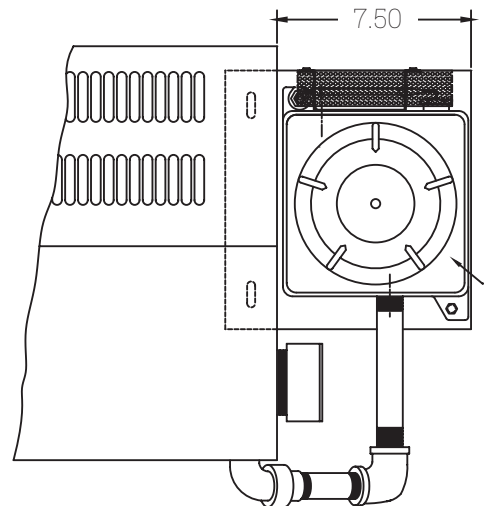
Option S2

Thermostat 1024754 mounted onto 254-series convector for on and off control for use with single-phase heater rated up to 22 amps and 277 volts. Tamperproof thermostat is load carrying with internal set point adjustment. Field wiring into thermostat for $\frac{3}{4}$ " NPT conduit.



Option B2S1

Thermostat 1007002 mounted onto 254-series convector for on and off control with magnetic contactor and transformer (as required). Control enclosure factory installed and wired onto convector. Thermostat with external set point adjustment. Field wiring into thermostat $\frac{3}{4}$ " NPT conduit with a $\frac{1}{2}$ " conduit adapter. Electrical ratings up to 600 volts, 3-phase 60&50 Hz.



Option B3

Thermostat and control enclosure factory mounted and wired mounted onto 254-series convector for on and off control with magnetic contactor and transformer (as required). Tamperproof thermostat with internal set point adjustment. Field wiring into thermostat $\frac{3}{4}$ " NPT conduit. Electrical ratings up to 600 volts, 3-phase, 60&50 Hz.

**Class I, Division 1, Groups C&D
Class II, Division 1, Groups E,F,G
NEMA 7
Type - SPDT
Range - 50-90°F (10-32°C)
cCSA_{US} Certified**

**Class I, Division 1, Groups B,C&D
Class II, Division 1, Groups E,F,G
NEMA 7
Type - SPDT
Range - 40-120°F
cCSA_{US} Certified**

Available for Unit and Duct Heater Mounting

Series 233 & 236 Explosion-proof Unit Heaters

Unit mounting refer to remote thermostats ratings.

- On-off single stage control heaters part 1007002

Remote wall mounting refer to remote thermostat ratings.

- On-off single stage control heaters part 10070012 (corrosion resistant part 1025396)

Series 227 & 220 Explosion-proof Duct Heaters

Refer to remote thermostats ratings for wall and duct mounting.

- On-off single stage control heaters part 1007002 (Group B part 1024754) or (corrosion resistant part 1025396)
- SCR or Step Control heaters part 1007018 (Group B part 1007018) or (corrosion resistant 1018806)