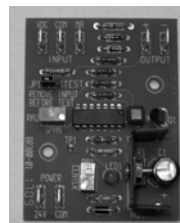
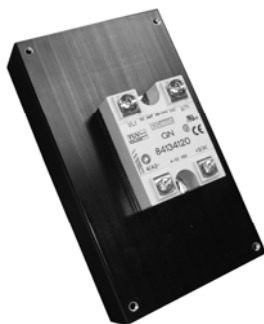




www.indeeco.com

108-B Series Power Controllers



Part Numbers:

- 1 0 8 - B 1 - 6 0 0 - 4 0**
- 1 0 8 - B 1 - 6 0 0 - 5 0**
- 1 0 8 - B 3 - 6 0 0 - 3 0**
- 1 0 8 - B 3 - 6 0 0 - 4 0**
- 1 0 8 - B 3 - 6 0 0 - 5 0**

Note: The last 2 digits are the maximum amperage.
B1 = single phase, B3 = three phase.

Part Number:

1 0 2 4 7 9 3

Operation:

The 108 Series power controllers is zero cross fired and can be driven by a pulsed-DC signal from an electronic thermostat, digital temperature control or other process controller. The 1024793 provides proportional control

Specifications – Power Controllers

UL Recognized: File E52105 Guide XAPX2
 Storage Temp: -20° to 190°F
 Operating Temp: 0°F to 80°F (outside panel)
 0°F to 168°F (inside panel)
 Line Voltage: 48 to 660VAC, 47 to 63 Hertz
 Load Current: 0.1A to model’s maximum amperage
 Load Connection: 8-32 screw and saddle clamp,
 recommend using a ring or fork terminal.
 Input: Pulsed-DC, 4-32VDC = on, 1KΩ impedance
 Input Connection = 6-32 screw and saddle clamp,
 recommend using a ring or fork terminal.

Physical Dimensions

Model	Amps	Length	Width	Height
B1	40 - 50	6.00"	3.45"	2.50"
B3	30 - 40	9.00"	3.45"	2.50"
B3	50	12.00"	3.45"	2.50"

Specifications – Input Board

UL Recognized: File E52105 Guide XAPX2
 Storage Temp: -20° to 190°F
 Operating Temp: 0°F to 168°F
 Input Power: 24VAC, 2.4VA
 Input Signals: 0-10VDC, 20KΩ impedance
 4-20mA, 500Ω impedance
 Output: Pulsing 24VDC, 1 second time base
 All Connections: 0.250" x 0.032"
 male, quick disconnects
 Test Mode: Cycles at 50% output
 Maximum # of Power Controllers: 4

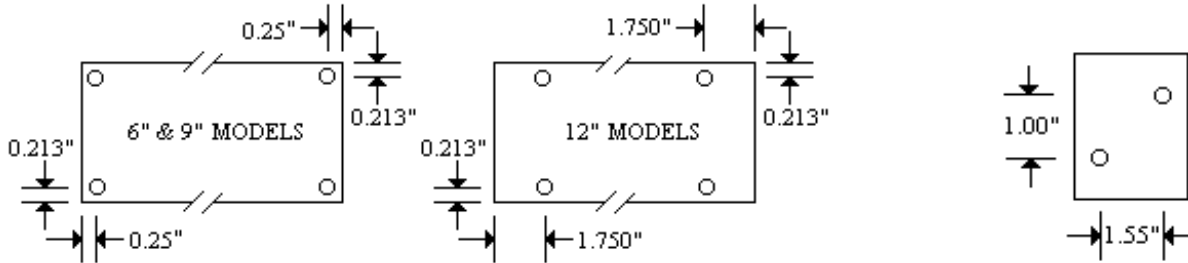
Physical Dimensions

Length	Width	Height
3.00"	2.25"	1.50"

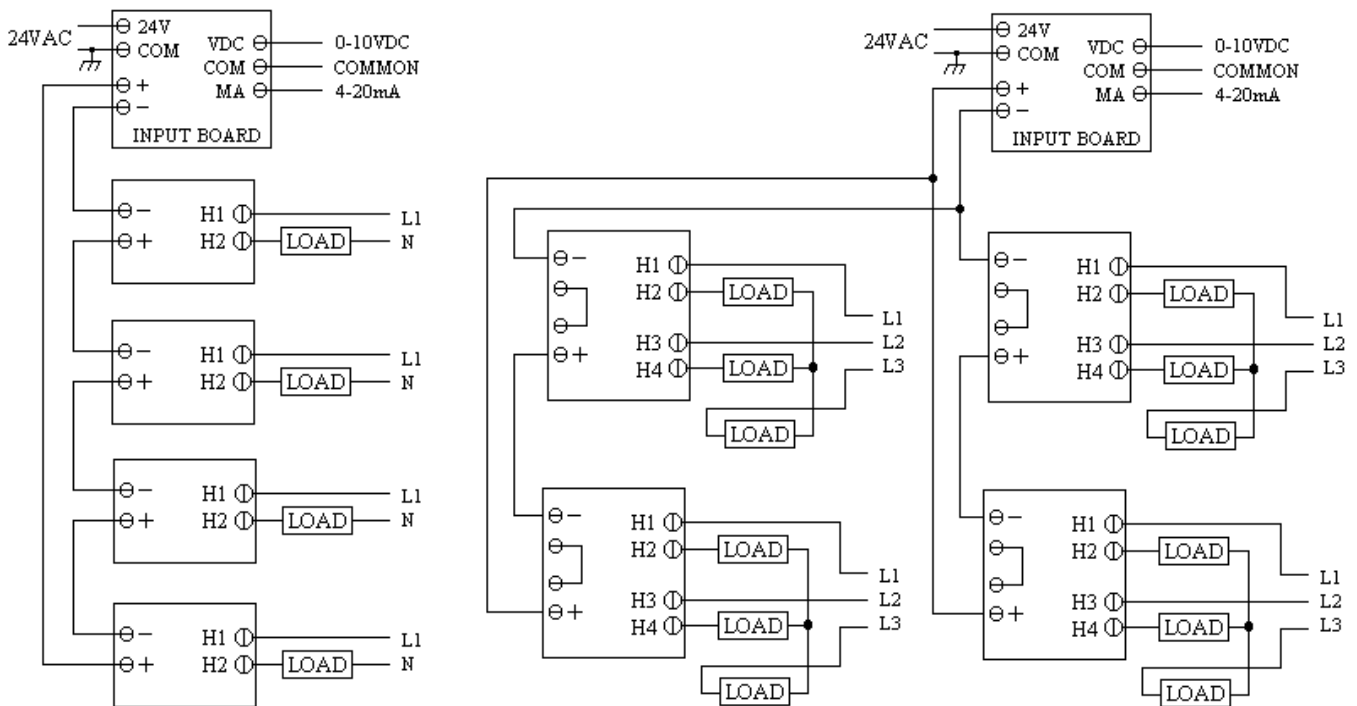
Mounting Holes: Power Controllers and Input Board

Note: Use 0.250" clearance holes to mount the power controller to the side panel with #8-32 machine screws.

Note: Mount the board to the panel with #8 sheet metal screws and spacers.



Wiring Diagrams: 1 Phase & 3 Phase Power Controllers with Input Board



INDECO
 425 Hanley Industrial Ct.
 St. Louis, MO 63144
 314-644-4300
www.indeco.com