

1. Install the T167 with the two furnished mounting screws to a standard 2" x 4" electrical box, 4-11/16" x 2-1/8" square device box with a 2" x 4" adapter ring or to a 4" x 4" box with accessory adapter plate.
2. For wall installations, mount the thermostat on an inside wall approximately 5 feet above the floor. The location should provide circulation at average room temperature. Avoid direct sunlight or sources of hot or cold air in the room or wall.
3. Remove the knob and then the cover. Mount thermostat base assembly to the outlet box using the screws provided, tighten the screws evenly but do not over tighten. Connect wires as noted.
4. The cover may limit system switch movement. Switch position should not be changed after the cover is removed to assure that the cover can be reinstalled.
5. To use a remote sensor on units that have local sensing capability, remove jumper JP-1 to disable local sensing. Failure to remove JP-1 will cause improper operation of the thermostat.
6. Reinstall the cover assembly. Install cover locking screw provided. Reinstall the knob.
7. Checkout:

After wiring and installation are complete, energize the system and check the operation. Adjust the thermostat as necessary to complete at least one cycle. Be sure the thermostat and all other equipment are functioning correctly.

VOLTAGE RATING	FAN AND SYSTEM SWITCHES				THERMOSTATIC OUTPUTS
	INDUCTIVE FLA	RESISTIVE LRA	RESISTIVE AMPS	PILOT DUTY	
24 VAC	NA	NA	NA	24 VA	0 - 10 VDC
120 VAC	5.8	34.8	6.0	125 VA	NA
240 VAC	2.9	17.4	5.0	125 VA	NA
277 VAC	2.4	14.4	4.2	125 VA	NA



## WARNING

- READ THESE INSTRUCTIONS CAREFULLY BEFORE ATTEMPTING TO INSTALL, OPERATE OR SERVICE THIS THERMOSTAT.
- Failure to observe safety information and comply with instructions could result in PERSONAL INJURY, DEATH AND/OR PROPERTY DAMAGE.
- To avoid electrical shock or damage to equipment, disconnect power before installing or servicing.
- To avoid potential fire and/ or explosion do not use in potentially flammable or explosive atmospheres.
- Retain these instructions for future reference. This product, when installed, will be part of an engineered system whose specifications and performance characteristics are not designed or controlled by PECO, Inc. You must review your application and national and local codes to assure that your installation will be functional and safe.



## CAUTION

- Use Copper wire only, insulate or wire nut all un-used leads.

### THERMOSTAT OPERATION

The T167 has a proportional band width of 2°F.

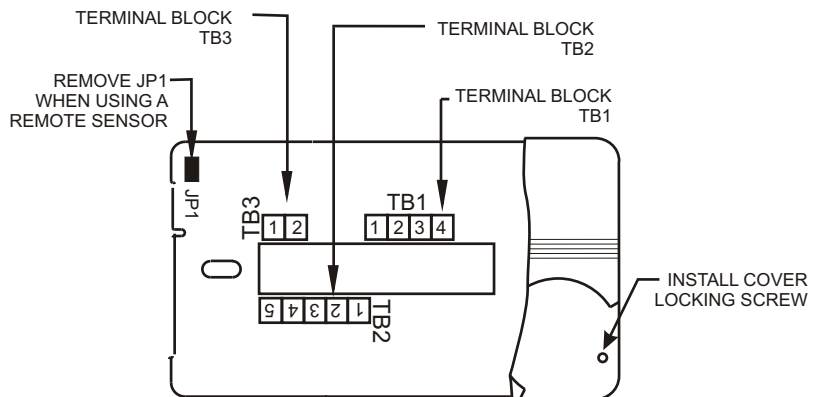
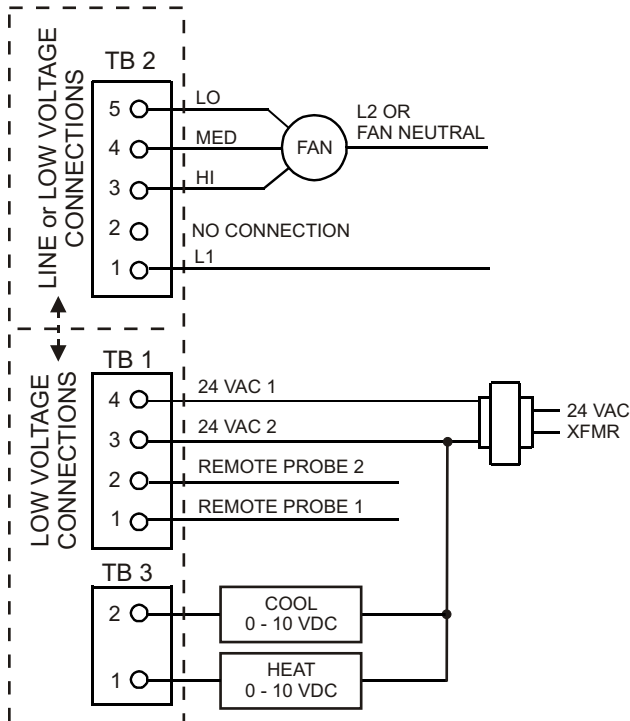
Temperature Control Range: 50 - 90 F

**TA167:** A HEAT-OFF-COOL system switch manually selects heating or cooling mode. In the HEAT position only the heat output cycles with demand. In the COOL position only the cool output cycles with demand. In the OFF position heating and cooling output are off.

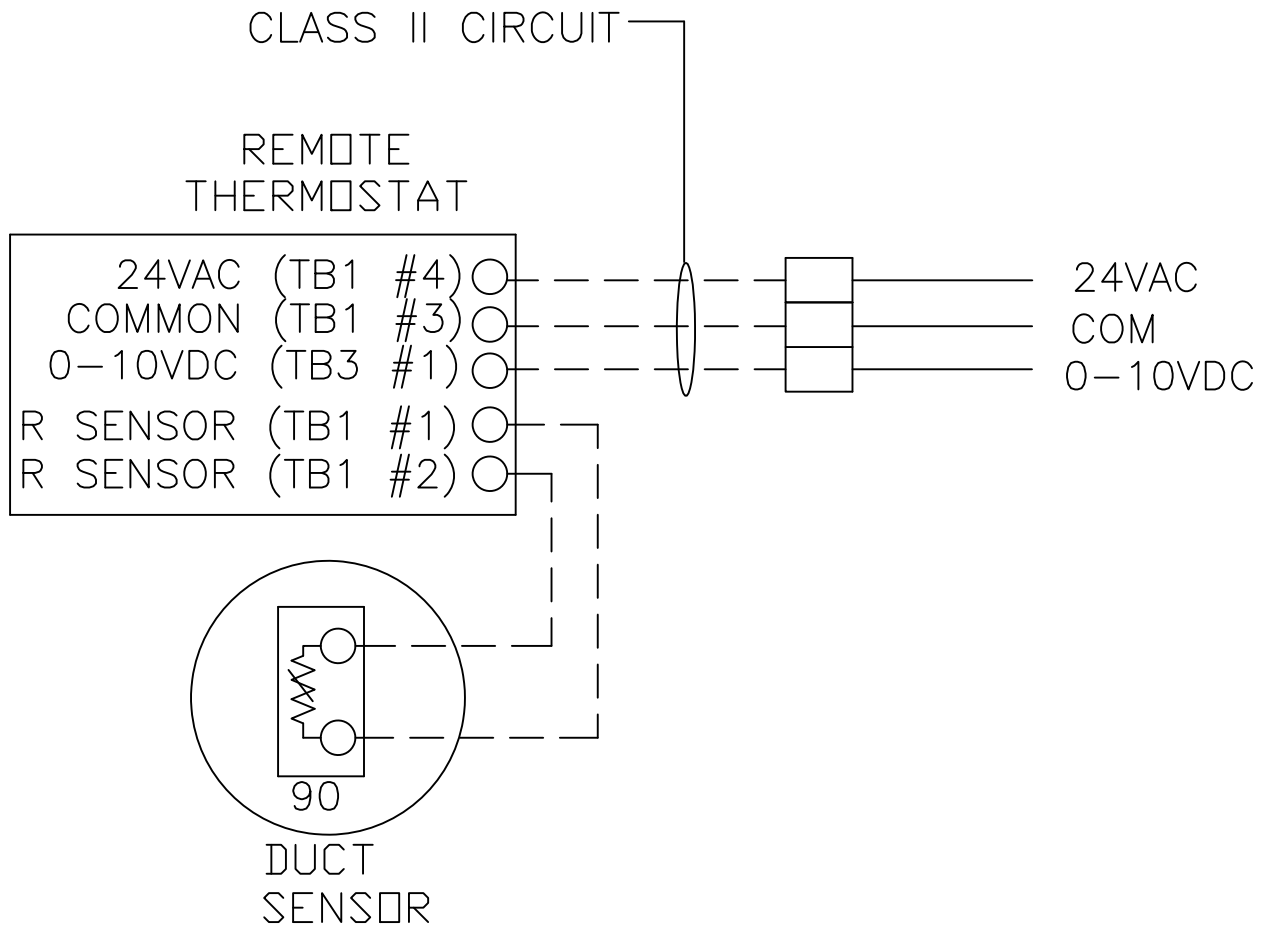
A ON-OFF system switch allow direct cycling between heat output and the cool output and should be used for either heat only or cool only applications. A changeover switch should be used if both outputs are used on TA167 models with ON-OFF switches.

**TB167:** A ON-OFF system switch enables auto-changeover of heating and cooling mode. In the ON position thermostat activates heating or cooling output dependant upon the relationship between the set point and the ambient temperature. Heat OFF to cool ON (or Cool OFF to Heat ON) changeover is 3°F. After a changeover excursion has occurred the thermostat will resume controlling at the set point. In the OFF position heating and cooling outputs are off.

**FAN:** Fan Operation is switched on or off with the system switch. Manual selection of up to three fan speeds are available on models with Fan Switches. Fan circuitry is electrically separate from thermostatic circuitry.



# PECO TA167



SEE THERMOSTAT  
INSTRUCTION SHEET FOR  
PROPER SETTINGS