

BRASCH



Wall, Ceiling and Floor Heaters

Commercial & Industrial
Electric heating and controls

INTRODUCTION

Brasch offers commercial and industrial electric heating and control systems that set the industry standard for excellence. The company's heating solutions reflect more than 85 years of innovation, product quality and efficient service.

Brasch's line of Comfort Heating Products cover a wide range of commercial and industrial applications. Whether the requirement is for architectural wall

heaters, cabinet unit heaters, convector heaters or ceiling heaters, Brasch has a product to match the application.

Brasch's quality is matched only by its customer service and support. With its quick-ship delivery program, Brasch provides the products you need.



TABLE OF CONTENTS

Comparison Chart 4-5

Wall Heaters



933 Series 6-8



932 Series 9-11



935 Series 12



940 Series 13



934 Series 14-15



930 Series 16-17



942 Series 18-19



922 Series 20-23

Ceiling Heaters



936/937 Series 24-27



931 Series 28-29



941 Series 30-31

Floor Heaters



938 Series 32



939 Series 33

Radiant Panels



BH-AS Series 34-37



918 Series 38-39

Thermostats

40-42

How To Order

43

Limited Warranty

44

Other Products

45

Color Section Chart

46

*Optional factory installed disconnect switches have been sized in accordance to current UL2021 standards.

*All field installed and factory installed electrical component options are listed with their maximum voltage and maximum amperage ratings. They can be used with heaters rated up to their maximum ratings.

COMPARISON CHART

Wall, Ceiling and Floor Heaters



Features	Architectural Wall 933	Commercial Wall 932	European Wall 935	Hybrid Convection 940	Wall 934	Register Wall 930
Typical Applications	Entryways Offices Reception areas	Guard houses Offices Stairwells	Offices Restrooms	Offices Restrooms Condominiums	Small offices Storage rooms	Hallways Stairwells
Wattage Range	up to 12,000	up to 12,000	up to 1,500	up to 2,000	up to 2,000	up to 2,000
Voltages	up to 480/3	up to 480/3	up to 240/1	up to 240/1	up to 240/1	up to 240/1
Airflow CFM	up to 480	up to 480	up to 70	Convection	up to 80	up to 80
Element Type	Steel finned tubular	Steel finned tubular	Stitched Ribbon Element	Fast Response Coil Element	Steel finned tubular	Steel finned tubular
Standard Construction	1/8" thick extruded aluminum grille	18-gauge steel grille	20-gauge steel grille	Cast Aluminum grille	22-gauge steel grille	20-gauge steel grille
Finish	Epoxy/Polyester powder paint	Epoxy/Polyester powder paint	Epoxy/Polyester powder paint	Epoxy/Polyester powder paint	Epoxy/Polyester powder paint	Epoxy/Polyester powder paint
Mounting	Surface or recessed	Surface or recessed	Surface or recessed	Surface or recessed	Surface or recessed	Surface or recessed
Custom Colors	Yes	Yes	Yes	Yes	Yes	Yes
Agency Approvals	CSA _{us}	CSA _{us}	CSA _{us}	CSA _{us}	CSA _{us}	CSA _{us}

COMPARISON CHART

Wall, Ceiling and Floor Heaters



Cabinet 922	Fan-Forced Ceiling 936	Fan Forced Ceiling 937	Commercial Ceiling 931	Commercial Ceiling 941	Toe-Space 938	Floor Insert 939
Classrooms Hallways Meeting rooms	Classrooms Day care Reception areas	Classrooms Day care Reception areas	Entryways Hallways Restrooms	Entryways Hallways Restrooms	Kitchens Reception areas	Under sliding doors Under windows
up to 24,000	up to 10,000	up to 5,000	up to 8,000	up to 2,000	up to 1,000	up to 1,500
up to 480/3	up to 480/3	up to 480/3	up to 480/1	up to 240/1	up to 240/1	up to 240/1
up to 1,000	up to 600	up to 310	up to 320	up to 80	80	80
Steel finned tubular	Stainless steel finned tubular aluminum fins	Stainless steel finned tubular aluminum fins	Steel finned tubular	Steel finned tubular	Steel finned tubular	Steel finned tubular
18-gauge steel and extruded aluminum grille	20-gauge steel grille with flat ribbon wire outlet grille	20-gauge steel grille with flat ribbon wire outlet grille	18-gauge steel grille	22-gauge steel grille	20-gauge steel grille	20-gauge steel body and 14-gauge grille
Epoxy/Polyester powder paint	Epoxy/Polyester powder paint	Epoxy/Polyester powder paint	Epoxy/Polyester powder paint	Epoxy/Polyester powder paint	Epoxy/Polyester powder paint	Epoxy/Polyester powder paint
Surface, recessed or ceiling	Surface or T-bar	Recessed or T-bar	Surface, recessed or T-bar	Surface or recessed	Recessed under cabinet	Recessed in floor
Yes	Yes	Yes	Yes	Yes	Yes	Yes
CSA _{US}	CSA _{US}	CSA _{US}	CSA _{US}	CSA _{US}	CSA _{US}	CSA _{US}

933 SERIES

Architectural Wall Heater



The 933 Series fan-forced wall heater is designed for commercial and industrial areas requiring higher KW ratings and quick recovery. The unit provides a burst of heat in areas affected by cold drafts or wide temperature swings.

- **Efficient Operation:** The fan draws air into the top of the grille and discharges warm air downward to distribute heat and keep floors warm and dry. High CFMs create air circulation within the room to provide uniform temperatures.
- **Extended Capacity:** The 933 Series is available with one, two or three modules and ratings up to 12,000 W and 480 CFM.

Standard Colors



Applications

- Entryways
- Garages
- Guard Houses
- Offices
- Reception Areas
- Restrooms
- Stairwells
- Vestibules

Standard Construction Features

Heating Elements – Steel finned tubular elements.

Outlet Grille – The 933 Series has an architectural extruded aluminum grille in a choice of seven epoxy/polyester powder paint finishes. The closely spaced, heavy bar grille design prevents insertion of foreign objects. The tamperproof thermostat adjustment is concealed behind the front cover.

Built-in Controls – Automatic reset thermal cutout, over-temperature warning light, fan override and tamperproof thermostat.

Fan Motor – Permanently lubricated, totally enclosed motor. The single unit has a 160 CFM fan (55 dBA), double unit has 2 x 160 CFM fans (58 dBA), and triple unit has 3 x 160 CFM fans (61 dBA).

Installation Requirements – Heater must be installed at least ten inches from the floor and adjacent walls.

Rough in Dimensions –

Single Unit: 1500/1125 - 5000 Watt heaters:
14-1/2" wide x 19-7/8" high x 4-1/2" deep.

Double Unit: 6000/4500 - 8000 Watt heaters:
30-3/16" wide x 19-7/8" high x 4-1/2" deep.

Triple Unit: 12000/9000 Watt heaters:
46-5/8" wide x 19-7/8" high x 4-1/2" deep.

933 SERIES Architectural Wall Heater

Factory Built-in Options

Code	Description
D1	Disconnect Switch 600V, Three-pole, 32 Amp
D2	Disconnect Switch 600V, Three-pole, 64 Amp
D3	Disconnect Switch 277V, Double-pole, 16 Amp
R1	24V Relay (1)
R2	24V Relay with Transformer (1)
S3	Fan On/Auto Switch

(1) A built-in thermostat will not be supplied when option R1 or R2 are selected. If built-in thermostat is required with these options, add Code T1 to the part number.

Field-Installed Options

(shipped loose for field installation into heater)

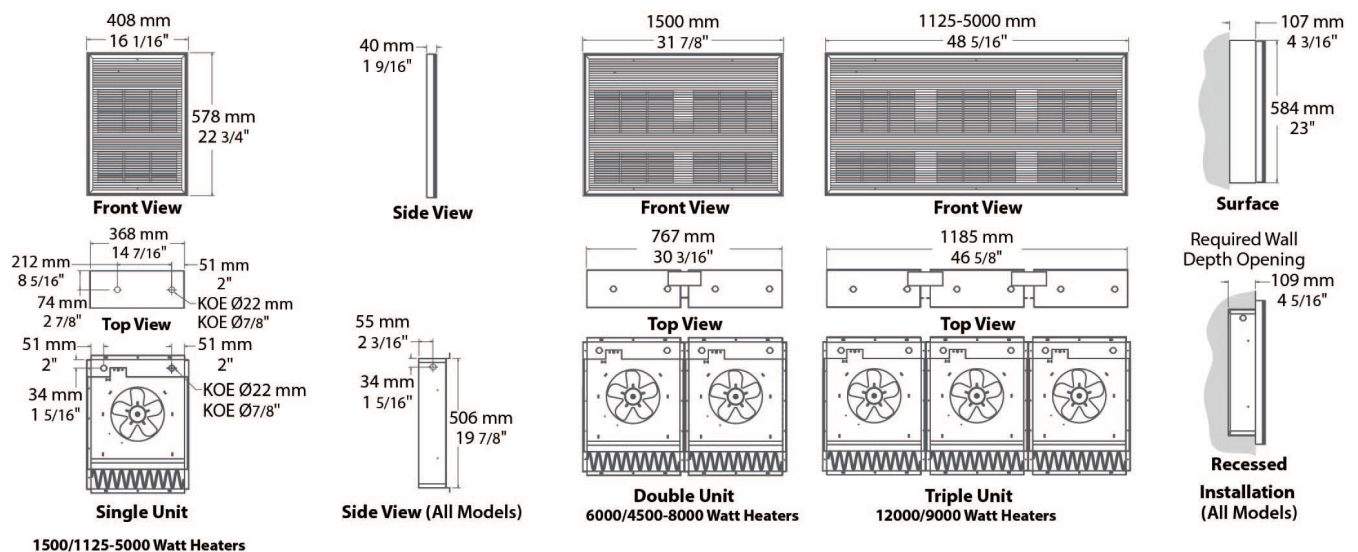
Catalog Number	Description
933-124501	Surface Mounting Box (1500-4800 W)
933-158471	Surface Mounting Box (6000-8000 W)
933-269345	Surface Mounting Box (12000 W)
933-151114	1" Semi Recessed Trim Kit (1500-4800 W)
933-166530	1" Semi Recessed Trim Kit (6000-8000 W)
933-269346	1" Semi Recessed Trim Kit (12000W)
933-151115	2" Semi Recessed Trim Kit (1500-4800 W)
933-166531	2" Semi Recessed Trim Kit (6000-8000 W)
933-269347	2" Semi Recessed Trim Kit (12000W)

Add color code to end of catalog number.

Remote Room Thermostat – See page 41.

Color Code Chart

Code	Color	Code	Color
BZ	Bronze	W	White
AE	Metallic Silver	A	Almond
CM	Metallic Charcoal	AL	Aluminum
BK	Semi-gloss black		



933 SERIES

Architectural Wall Heater

Heater Listing

Built-in tamperproof thermostat is included.

Watts	Volts	Phase	Total Amps (1)	CFM	Approximate Air Temperature Rise °F (°C)	Weight lb (kg)	Catalog Number
1500/1125	240/208	1	6.6/5.8	160	30/22 (17/12)	24 (11)	BH-933U01500V
1500	120	1	12.9	160	30 (17)	24 (11)	BH-933U01500B
1500	277	1	5.8	160	30 (17)	24 (11)	BH-933U01500N
	480	1	3.5	160	30 (17)	28 (13)	BH-933U01500T
2000/1500	240/208	1	8.7/7.6	160	40/30 (22/17)	24 (11)	BH-933U02000V
2000	208	1	10.0	160	40 (22)	24 (11)	BH-933U02000C
	277	1	7.6	160	40 (22)	24 (11)	BH-933U02000N
	480	1	4.5	160	40 (22)	28 (13)	BH-933U02000T
3000/2250	240/208	1	12.9/11.2	160	60/45 (33/25)	24 (11)	BH-933U03000V
3000	208	3	8.74	160	60 (33)	28 (13)	BH-933U03000D
	277	1	11.2	160	60 (33)	24 (11)	BH-933U03000N
	480	1	6.7	160	60 (33)	28 (13)	BH-933U03000T
	480	3	4.01	160	60 (33)	32 (15)	BH-933U03000U
4000/3000	240/208	1	17.0/14.8	160	80/60 (44/33)	24 (11)	BH-933U04000V
	240/208	3	10.0/8.7	160	80/60 (44/33)	28 (13)	BH-933U04000P
4000	208	1	19.6	160	80 (44)	24 (11)	BH-933U04000C
	208	3	11.52	160	80 (44)	28 (13)	BH-933U04000D
	277	1	14.8	160	80 (44)	24 (11)	BH-933U04000N
	480	1	8.7	160	80 (44)	28 (13)	BH-933U04000T
	480	3	5.22	160	80 (44)	32 (15)	BH-933U04000U
4800/3600	240/208	1	20.4/17.7	160	96/72 (53/40)	24 (11)	BH-933U04800V
4800	208	1	23.5	160	96 (53)	24 (11)	BH-933U04800C
	277	1	17.7	160	96 (53)	24 (11)	BH-933U04800N
	480	1	10.4	160	96 (53)	28 (13)	BH-933U04800T
5000/3750	240/208	3	12.4/10.8	160	100 (55)	28 (13)	BH-933U05000P
5000	208	3	14.3	160	100 (55)	28 (13)	BH-933U05000D
	480	3	0.4	160	100 (55)	32 (15)	BH-933U05000U
6000/4500	240/208	1	25.4/22.0	320	60/45 (33/25)	50 (23)	BH-933U06000V
6000	277	1	22.1	320	60 (33)	55 (25)	BH-933U06000N
	480	1	12.9	320	60 (33)	55 (25)	BH-933U06000T
8000/6000	240/208	1	33.7/29.2	320	80/60 (44/33)	50 (23)	BH-933U08000V
8000	208	1	38.9	320	80 (44)	50 (23)	BH-933U08000C
	277	1	29.3	320	80 (44)	55 (25)	BH-933U08000N
	480	1	17.1	320	80 (44)	55 (25)	BH-933U08000T
12000/9000	240/208	3 (2)	29.3/25.4	480	80 (44)	90 (41)	BH-933U12000P
12000	208	3	33.7	480	80 (44)	90 (41)	BH-933U12000D
	240	3	29.3	480	80 (44)	90 (41)	BH-933U12000K
	277	1	43.7	480	80 (44)	90 (41)	BH-933U12000N
	480	1	25.4	480	80 (44)	90 (41)	BH-933U12000T
	480	3	14.8	480	80 (44)	90 (41)	BH-933U12000U

(1) Total Amps = Heating element amps and motor amps.

(2) Single-phase is available upon request, consult factory.

Add color code to end of catalog number.

Standard colors. See page 7 for color codes to be added to the end of catalog number.

932 SERIES Commercial Wall Heater



The 932 Series fan-forced wall heater is designed for commercial and industrial areas requiring higher KW ratings and quick recovery. The unit provides a burst of heat in areas affected by cold drafts or wide temperature swings.

- **Efficient Operation:** The fan draws air into the top of the grille and discharges warm air downward to distribute heat and keep floors warm and dry. High CFM's create air circulation within the room to provide uniform temperatures.
- **Extended Capacity:** The WCI is available with one, two or three modules and ratings up to 12,000 W at 480 CFM.

Standard



Special Colors



Applications

- Entryways
- Garages
- Guard Houses
- Offices
- Reception Areas
- Restrooms
- Stairwells
- Vestibules

Standard Construction Features

Heating Elements – Steel finned tubular elements.

Outlet Grille – The 932 Series has an 18-gauge steel grille with rounded corners and a polyester powder paint finish in white or almond. The external thermostat adjustment knob can be replaced with the concealing plug provided for tamperproof construction.

Built-in Controls – Automatic reset thermal cutout, over-temperature warning light, fan override and thermostat.

Fan Motor – Permanently lubricated, totally enclosed motor. The single unit has a 160 CFM fan (55 dBA), double unit has 2 x 160 CFM fans (58 dBA), and triple unit has 3 x 160 CFM fans (61 dBA).

Installation Requirements – Heater must be installed at least ten inches from the floor and adjacent walls.

Rough in Dimensions –

- Single Unit: 1500/1125 - 5000 Watt heaters:
14-1/2" wide x 19-7/8" high x 4-1/2" deep.
- Double Unit: 6000/4500 - 8000 Watt heaters:
30-3/16" wide x 19-7/8" high x 4-1/2" deep.
- Triple Unit: 12000/9000 Watt heaters:
46-5/8" wide x 19-7/8" high x 4-1/2" deep.

932 SERIES

Commercial Wall Heater

Factory Built-in Options

Code	Description
D1	Disconnect Switch 600V, Three-pole, 32 Amp
D2	Disconnect Switch, 600V, Three-pole, 64 Amp
D3	Disconnect Switch 277V, Double-pole, 16 Amp
R1	24V Relay (1)
R2	24V Relay with Transformer (1)
S3	Fan On/Auto Switch

(1) A built-in thermostat will not be supplied when option R1 or R2 are selected. If built-in thermostat is required with these options, add Code T1 for tamper-proof or T5 for adjustable thermostat..

Field-Installed Options

(shipped loose for field installation into heater)

Catalog Number	Description
932-124500	Surface Mounting Box (1500-4800 W)
932-158211	Surface Mounting Box (6000-8000 W)
932-158212	Surface Mounting Box (12000 W)
932-146878	1" Semi Recessed Trim Kit (1500-4800 W)
932-166532	1" Semi Recessed Trim Kit (6000-8000 W)
932-166534	1" Semi Recessed Trim Kit (12000 W)
932-153670	2" Semi Recessed Trim Kit (1500-4800 W)
932-166533	2" Semi Recessed Trim Kit (6000-8000 W)
932-166535	2" Semi Recessed Trim Kit (12000 W)

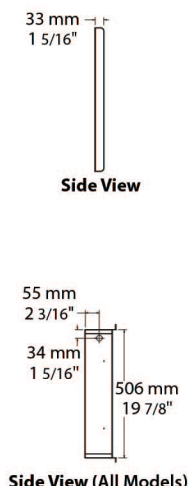
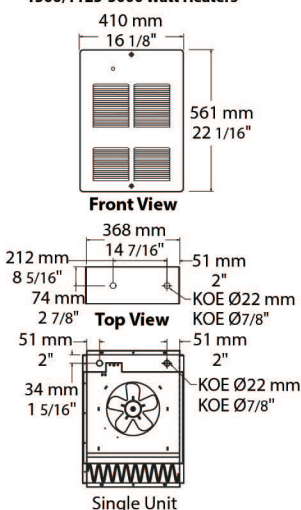
Standard colors - Add W for white finish or A for almond finish to the end of catalog number.

Special or custom colors - See inside back cover for color codes to be added to end of catalog number.

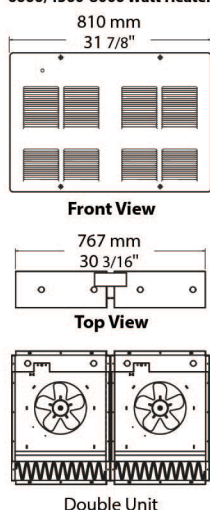
Remote Room Thermostat – See page 41.

Grille Dimensions

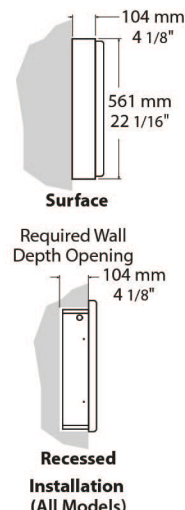
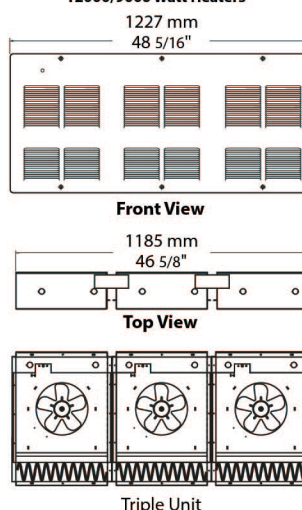
1500/1125-5000 Watt Heaters



6000/4500-8000 Watt Heaters



12000/9000 Watt Heaters



932 SERIES

Commercial Wall Heater

Heater Listing

Adjustable thermostat is included. A hole plug is provided for tamperproof installations.

Watts	Volts	Phase	Total Amps (1)	CFM	Approximate Air Temperature Rise °F (°C)	Weight lbs (kg)	Catalog Number
1500/1125	240/208	1	6.6/5.8	160	30/22 (17/12)	24 (11)	BH-932U01500V
1500	120	1	12.9	160	30 (17)	24 (11)	BH-932U01500B
	277	1	5.8	160	30 (17)	28 (13)	BH-932U01500N
	480	1	3.5	160	30 (17)	28 (13)	BH-932U01500T
	240/208	1	8.7/7.6	160	40/30 (22/17)	24 (11)	BH-932U02000V
2000	208	1	10.0	160	40 (22)	24 (11)	BH-932U02000C
	277	1	7.6	160	40 (22)	28 (13)	BH-932U02000N
	480	1	4.6	160	40 (22)	28 (13)	BH-932U02000T
3000/2250	240/208	1	12.9/11.2	160	60/45 (33/25)	24 (11)	BH-932U03000V
3000	208	3	8.74	160	60 (33)	28 (13)	BH-932U03000D
	277	1	11.2	160	60 (33)	28 (13)	BH-932U03000N
	480	1	6.7	160	60 (33)	28 (13)	BH-932U03000T
	480	3	4.01	160	60 (33)	32 (15)	BH-932U03000U
4000/3000	240/208	1	17.0/14.8	160	80/60 (44/33)	24 (11)	BH-932U04000V
	240/208	3	10.0/8.7	160	80/60 (44/33)	28 (13)	BH-932U04000P
4000	208	1	19.6	160	80 (44)	24 (11)	BH-932U04000C
	208	3	11.52	160	80 (44)	28 (13)	BH-932U04000D
	277	1	14.8	160	80 (44)	28 (13)	BH-932U04000N
	480	1	8.7	160	80 (44)	28 (13)	BH-932U04000T
	480	3	5.22	160	80 (44)	32 (15)	BH-932U04000U
4800/3600	240/208	1	20.4/17.7	160	96/72 (53/40)	24 (11)	BH-932U04800V
4800	208	1	23.5	160	96 (53)	24 (11)	BH-932U04800C
	277	1	17.7	160	96 (53)	28 (13)	BH-932U04800N
	480	1	10.4	160	96 (53)	28 (13)	BH-932U04800T
5000/3750	240/208	3	12.4/10.8	160	100 (55)	28 (13)	BH-932U05000P
5000	208	3	14.3	160	100 (55)	28 (13)	BH-932U05000D
	480	3	0.4	160	100 (55)	32 (15)	BH-932U05000U
6000/4500	240/208	1	25.4/22.0	320	60/45 (33/25)	50 (23)	BH-932U06000V
6000	277	1	22.1	320	60 (33)	55 (25)	BH-932U06000N
	480	1	12.9	320	60 (33)	55 (25)	BH-932U06000T
8000/6000	240/208	1	33.7/29.2	320	80/60 (44/33)	50 (23)	BH-932U08000V
8000	208	1	38.9	320	80 (44)	50 (23)	BH-932U08000C
	277	1	29.3	320	80 (44)	55 (25)	BH-932U08000N
	480	1	17.1	320	80 (44)	55 (25)	BH-932U08000T
12000/9000	240/208	3(2)	29.3/25.4	480	80 (44)	90 (41)	BH-932U12000P
12000	208	3	33.7	480	80 (44)	90 (41)	BH-932U12000D
	240	3	29.3	480	80 (44)	90 (41)	BH-932U12000K
	277	1	43.7	480	80 (44)	90 (41)	BH-932U12000N
	480	1	25.4	480	80 (44)	90 (41)	BH-932U12000T
	480	3	14.8	480	80 (44)	90 (41)	BH-932U12000U

(1) Total Amps = Heating element amps and motor amps.

(2) Single-phase is available upon request, consult factory

Standard colors - Add W for white finish or A for almond finish to the end of catalog number.

Special or custom colors - See inside back cover for color codes to be added to end of catalog number.

935 SERIES

European Style Wall Heater



(Shown with optional thermostat & timer)

The 935 Series wall heater has a stylish, contemporary design with rounded corners and soft lines for an elegant appearance. This heater is ideal for areas with space restrictions and high heating requirements.

- **Unique Element Design:** Stitched ribbon-type heating element provides instant heat for areas that need to be warmed quickly.
- **Three Models:** The standard single-stage heater is controlled by an optional remote line-voltage thermostat. Heater type **T** has a single-stage built-in thermostat. Heater type **TZ** is furnished with an additional 0-60 minute mechanical timer that provides manual operation at maximum wattage during occupied periods, then resumes normal control.
- **Installation Flexibility:** The heater can be recessed in a 2-inch by 3-inch stud wall or surface mounted without the use of adapters.

Applications

- Entryways
- Reception Areas
- Fire Station Changing Areas
- Restrooms
- Offices

Standard



Special Colors



Standard Construction Features

Heating Elements – Stitched ribbon-type element.

Outlet Grille – The 20-gauge steel grille has a polyester powder paint finish available in white, almond, or optional stainless steel front cover.

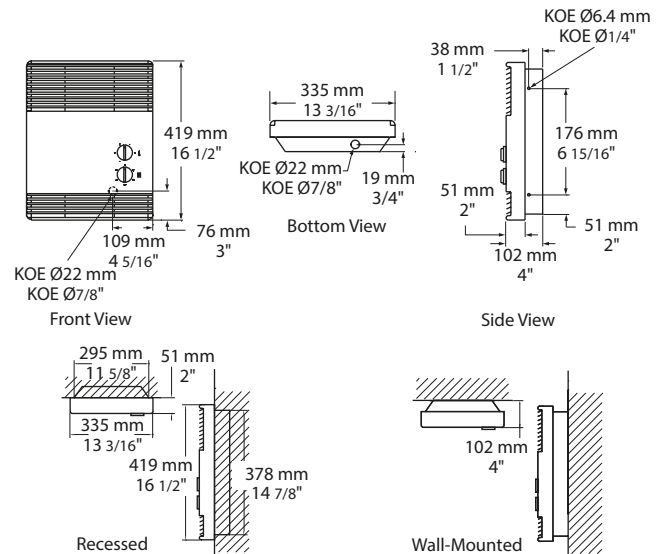
Built-in Controls – Automatic reset thermal cutout prevents overheating.

Fan Motor – Whisper-quiet squirrel-cage fan operates at 33 dBA with 35 CFM and 42.5 dBA with 70 CFM.

Installation Requirements – The air outlet should be installed a minimum of 12-inches above floors.

Rough In Dimensions – All heaters: 11-¹/₈" wide x 15-¹/₂" high x 2" deep.

Remote Room Thermostat – See page 41.



Heater Listing

Watts Maximum	Volts (1 Phase)	Total Amps (1)	CFM		Maximum Air Temperature	Weight lb (kg)	Catalog Number
			Minimum	Maximum			
1500	120	13.0	-	70	68 (38)	14 (6)	BH-935U01500B
1500	120	13.0	35	70	68 (38)	14 (6)	BH-935U01500B-T
1500	120	13.0	35	70	68 (38)	14 (6)	BH-935U01500B-TZ
1500/1125	240/208	6.7/5.9	-	70	68/51 (38/28)	14 (6)	BH-935U01500V
1500/1125	240/208	6.7/5.9	35	70	68/51 (38/28)	14 (6)	BH-935U01500V-T
1500/1125	240/208	6.7/5.9	35	70	68/51 (38/28)	14 (6)	BH-935U01500V-TZ

(1) Total Amps = Heating element amps and motor amps.

Add **W** to end of catalog number for white finish, **A** for almond or **SS** for custom stainless steel front cover.

Special or custom colors - See inside back cover for color codes to be added to end of catalog number.

940 SERIES Hybrid Convection Wall Heater



Applications

- Entryways
- Offices
- Fire Station Changing Areas
- Reception Areas
- Restrooms

The 940 Series wall heater is a unique design and offers two levels of heating. The first level is convection heat with a second level of forced-air heating. This feature combines the quiet operation of convection heating for normal heating conditions and when needed a boost to forced-air heating with greater heating capacity, all in the same unit. This is well suited for condominiums when an up scale appearance is required.

- **Unique Temperature Control:** Built-in digital thermostat with full modulating power for convection to fan-forced heating. The power level is automatically managed by the thermostat through the full output of the heater. The electronic thermostat displays actual room temperature, with adjustable temperature settings between 50 and 95°F (10 to 35°C). When the heater is on, four graduated lines indicate the power level on the display.
- **Manual Power Boost:** To override the automatic temperature control the heater can be easily switched into the boost heat level using the built-in timer. Boost power can be set for 5, 10, 15, 20, 25 or 30 minutes.
- **Mounting:** The heater can be recessed in a 2-inch by 3-inch stud wall, or surface mounted with or without a color matched surface mounting box.

Standard



Special Colors



Standard Construction Features

Heating Elements – Instant heat nickel-chrome coil resistant wire element.

Outlet Grille – Heavy cast aluminum front cover with steel bar inlet and outlet grilles has a polyester powder paint finish available in white or almond.

Built-in Controls – Digital display electronic thermostat with timer, automatic reset thermal cutout, overtemperature warning light, temperature sensor and LED night light with on-off switch.

Fan motor – Whisper-quiet squirrel-cage fan with factory-lubricated motor.

Installation Requirements – Maintain a minimum of 4-inches (102 mm) clearance below heater, 1-inch (25 mm) to adjacent walls and 48-inches (1219 mm) in front of heater.

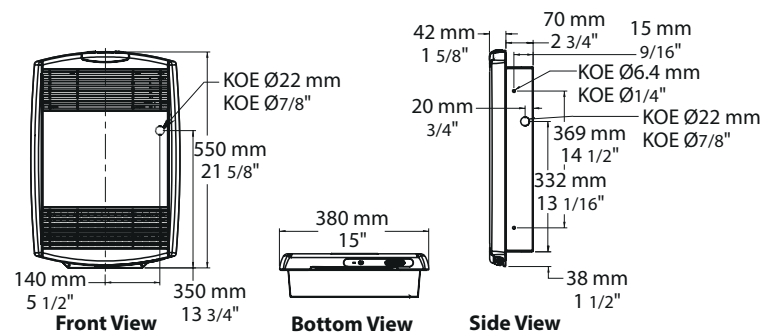
Rough In Dimensions – All heaters: 18-3/8" wide x 13-5/8" high x 2-3/4" deep.

Heater Listing

Watts	Volts (1 Ph)	Amps	Weight lb (kg)	Catalog Number
2000	240	8.3	22.8 (10.3)	940U02000J

Standard colors – Add W for white finish or A for almond finish to the end of catalog number.

Special or custom colors – See inside of back cover for color codes to be added to end of catalog number.



Factory Built-in Options

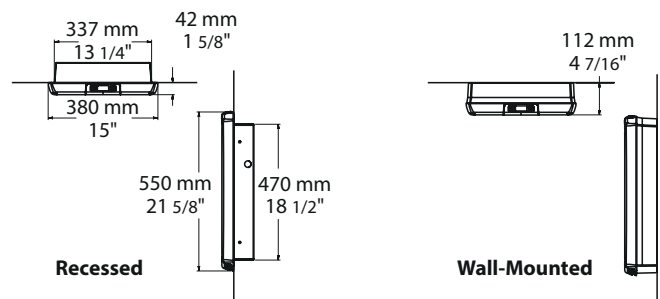
Code	Description
D3	Disconnect Switch, 277V, Double-pole, 16 Amp

Field-Installed Options

Catalog Number	Description
940-213895	Cast Aluminum Surface Mounting Box

Standard colors – Add W for white finish or A for almond finish to the end of catalog number.

Special or custom colors – See inside of back cover for color codes to be added to end of catalog number.



934 SERIES

Wall Heater



The 934 Series wall heater is designed for recessed mounting into shallow 2-inch by 3-inch stud walls. It provides heat in a quiet, efficient manner. Single units can heat small areas and multiple heaters can be used in large or odd-shaped rooms.

- **Mounting Options:** Units can be surface (with optional box) or recessed mounted, vertically or horizontally, in one of four positions. A tapered recess box assures a tight fit when mounted into the wall.



Applications

- Breezeways
- Small Offices
- Entryways
- Storage Rooms
- Restrooms

Standard Construction Features

Heating Elements – Steel finned tubular elements.

Outlet Grille – The louvered front grille is made from 22-gauge steel with rounded corners. The grille is finished with an epoxy/polyester powder paint in white or almond.

Built-in Controls – Automatic reset thermal cutout.

Fan Motor – Quiet, permanently lubricated axial fan operates at 38 dBA at 40 CFM for models up to 1000 W and 41.3 dBA at 80 CFM for all models rated above 1000 W.

Installation Requirements - The air outlet should be installed a minimum of ten inches above floors.

Rough In Dimensions – All heaters: 7-3/16" wide x 14-1/8" high x 3" deep.

Factory Built-in Options

Code	Description
D3	Disconnect Switch, 277V, Double-pole, 16 Amp
T1	Tamperproof Thermostat, Single-pole, 25 Amp
T2	Tamperproof Thermostat, Double-pole, 25 Amp with off position
T5	Adjustable Thermostat, Single-pole, 25 Amp
T6	Adjustable Thermostat, Double-pole, 25 Amp with off position

Field-Installed Options

(shipped loose for field installation into heater)

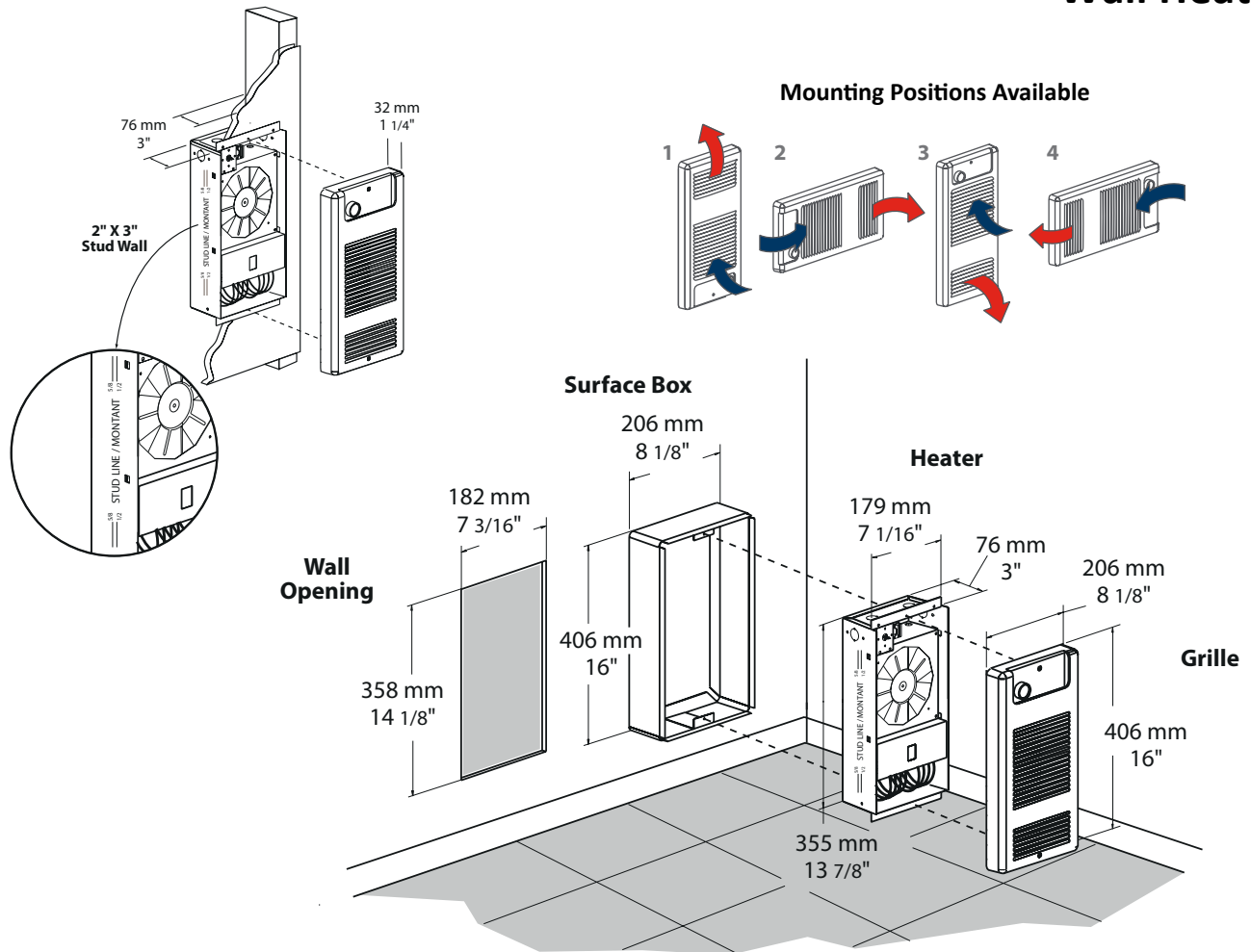
Catalog Number	Description
934-124647	Surface Mounting Box
934-124648	Adjustable Thermostat Kit, Single-pole, 25 Amp
934-124649	Tamperproof Thermostat Kit, Single-pole, 25 Amp
934-124650	Adjustable Thermostat Kit, Double-pole, 25 Amp with off position
934-124651	Tamperproof Thermostat Kit, Double-pole, 25 Amp with off position

Standard colors - Add **W** for white finish or **A** for almond finish to the end of catalog number.

Special or custom colors - See inside back cover for color codes to be added to end of catalog number.

Remote Room Thermostat – See page 41.

934 SERIES Wall Heater



Heater Listing

Watts	Volts (1 Phase)	Total Amps (1)	CFM	Approximate Air Temperature Rise °F (°C)	Weight lb (kg)	Catalog Number
500	120	4.6	40	40 (22)	9 (4)	BH-934U00500B
500/375	240/208	2.3/2.0	40	40/30 (22/17)	9 (4)	BH-934U00500V
750	120	6.7	40	60 (33)	9 (4)	BH-934U00750B
750/563	240/208	3.3/2.9	40	60/45 (33/25)	9 (4)	BH-934U00750V
1000	120	8.7	40	80 (44)	9 (4)	BH-934U01000B
1000/750	240/208	4.5/3.8	40	80/60 (44/33)	9 (4)	BH-934U01000V
1250	120	10.8	80	50 (28)	9 (4)	BH-934U01250B
1250/938	240/208	5.4/4.7	80	50/37 (28/21)	9 (4)	BH-934U01250V
1500	120	12.9	80	60 (33)	9 (4)	BH-934U01500B
1500/1125	240/208	6.5/5.6	80	60/45 (33/25)	9 (4)	BH-934U01500V
2000	208	9.8	80	80 (44)	9 (4)	BH-934U02000C
2000/1500	240/208	8.5/7.4	80	80/60 (44/33)	9 (4)	BH-934U02000V

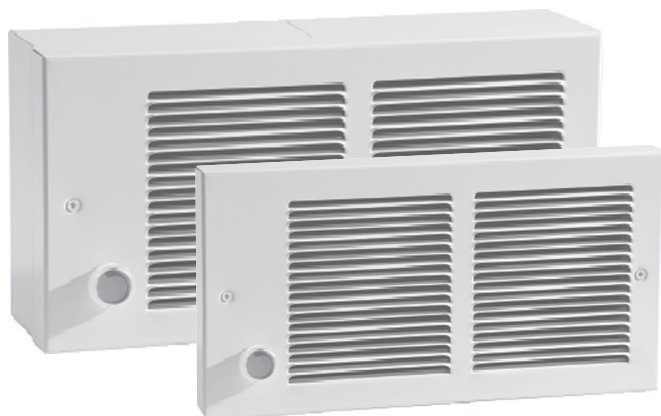
(1) Total Amps = Heating element amps and motor amps.

Standard colors - Add **W** for white finish or **A** for almond finish to the end of catalog number.

Special or custom colors - See inside back cover for color codes to be added to end of catalog number.

930 SERIES

Register Wall Heater



(Shown with optional built-in thermostat)

Applications

- Hallways
- Restrooms
- Stairwells

The 930 Series register wall heater is ideal for use as a primary heat source in small areas or as supplemental heat in more spacious areas. Multiple heaters can be used to effectively heat large or odd-shaped rooms.

- **Installation Options:** Units are designed for recessed mounting into shallow 2-inch by 3-inch stud walls or surface mounting with the use of an optional box.
- **Safety:** Finned tubular elements provide electrical isolation from accidental contact.
- **Temperature Control:** An optional thermostat can be installed in the heater or a remote thermostat can be used.



Standard Construction Features

Heating Elements – Steel finned tubular elements.

Outlet Grille – The louvered front grille is made from 20-gauge steel. The grille is finished with an epoxy/polyester powder paint in white or almond.

Built-in Controls – Automatic reset thermal cutout and over-temperature warning light.

Fan Motor – Quiet, factory lubricated fan operates at 38 dBA at 40 CFM for models up to 1,000 W and 41.3 dBA at 80 CFM for all models rated above 1,000 W.

Installation Requirements – The air outlet should be installed a minimum of ten inches above vinyl floors.

Rough In Dimensions – All heaters: 14-1/8" wide x 7-3/16" high x 3" deep.

Factory Built-in Options

Code	Description
D3	Disconnect Switch, 277V, Double-pole, 16 Amp
T1	Tamperproof Thermostat, Single-pole, 25 Amp
T2	Tamperproof Thermostat, Double-pole, 25 Amp with off position
T5	Adjustable Thermostat, Single-pole, 25 Amp
T6	Adjustable Thermostat, Double-pole, 25 Amp with off position

Double-pole thermostats include positive off feature.

Field-Installed Options

(shipped loose for field installation into heater)

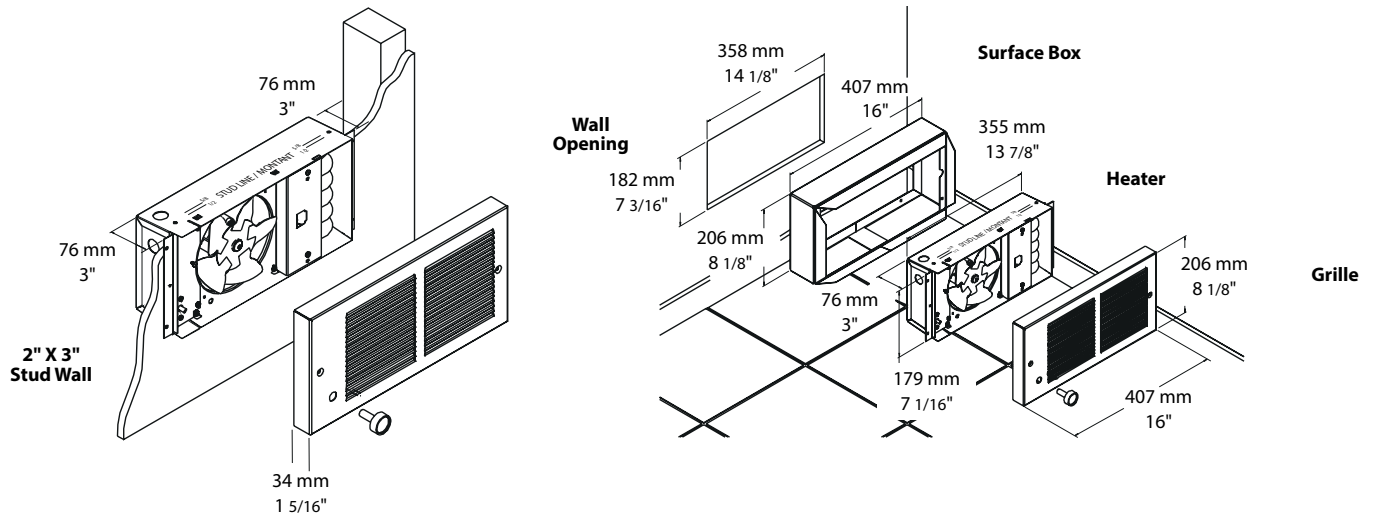
Catalog Number	Description
930-166766	Surface Mounting Box
930-166767	Adjustable Thermostat Kit, Single-pole, 25 Amp
930-166768	Tamperproof Thermostat Kit, Single-pole, 25 Amp
930-166769	Adjustable Thermostat Kit, Double-pole, 25 Amp with off position
930-166770	Tamperproof Thermostat Kit, Double-pole, 25 Amp with off position

Standard colors - Add W for white finish or A for almond finish to the end of catalog number.

Special or custom colors - See inside back cover for color codes to be added to end of catalog number.

Remote Room Thermostat – See page 41.

930 SERIES Register Wall Heater



Heater Listing

Watts	Volts (1 Phase)	Total Amps (1)	CFM	Approximate Air Temperature Rise °F (°C)	Weight lb (kg)	Catalog Number
500	120	4.6	40	40 (22)	9 (4)	BH-930U00500B
500/375	240/208	2.3/2.0	40	40/30 (22/17)	9 (4)	BH-930U00500V
750	120	6.7	40	60 (33)	9 (4)	BH-930U00750B
750/563	240/208	3.3/2.9	40	60/45 (33/25)	9 (4)	BH-930U00750V
1000	120	8.7	40	80 (44)	9 (4)	BH-930U01000B
1000/750	240/208	4.5/3.8	40	80/60 (44/33)	9 (4)	BH-930U01000V
1250	120	10.8	80	50 (28)	9 (4)	BH-930U01250B
1250/938	240/208	5.4/4.7	80	50/37 (28/21)	9 (4)	BH-930U01250V
1500	120	12.9	80	60 (33)	9 (4)	BH-930U01500B
1500/1125	240/208	6.5/5.6	80	60/45 (33/25)	9 (4)	BH-930U01500V
2000	208	9.8	80	80 (44)	9 (4)	BH-930U02000C
2000/1500	240/208	8.5/7.4	80	80/60 (44/33)	9 (4)	BH-930U02000V

(1) Total Amps = Heating element amps and motor amps.

Standard colors - Add W for white finish or A for almond finish to the end of catalog number.

Special or custom colors - See inside back cover for color codes to be added to end of catalog number.

942 SERIES

Commercial Wall Convector



The 942 Series is a space-saving convector that provides the quietness of natural convection heating. With its contemporary look, the 942 Series perfectly blends with any surrounding.

Applications

- Condominium/Loft
- Kitchen
- Living/Family Room
- Bedroom
- Basement
- Hotel
- Dormitory
- Commercial Applications

Standard



Special Colors



Standard Construction Features

Heating Elements – 2 Stainless steel elements with aluminum fins float on high temperature nylon bushings for quiet operation.

Outlet Grille – The 942 Series has a 20-gauge steel grille with rounded corners and a polyester powder paint finish available in standard white. The warm air outlet will direct the air to the center of the room.

Built-in Controls – Automatic reset thermal cutout and over temperature warning light (units under 250V). Heaters can be controlled by a remote thermostat (not included) or with optional (T8) built-in non-programmable electronic thermostat for heater 120V to 240V.

Installation Requirements – The minimum installation clearance is four inches to the floor and from an adjacent wall. Installing is made easy with the included wall mounting bracket. This heater is approved for residential use in the United States.

942 SERIES

Commercial Wall Convactor

Factory Built-in Options

Code	Description
R7	24V Triac Proportional Relay 277V, 15A
R8	24V Triac Proportional Relay with transformer, 277V, 15A
T8	Built-in Non Programmable Electronic Thermostat, 120V to 240V

Field-Installed Options

(shipped loose for field installation into heater)

Catalog Number	Description
942-309332	24V TRIAC Proportional Relay, 120V to 277V, 15A Max.
942-309333	24V TRIAC Proportional Relay with transformer, 208V to 277V, 15A

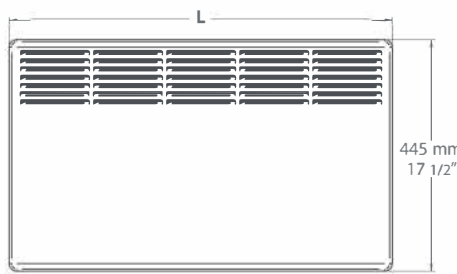
Heater Listing

Watts	Volts (1 Phase)	Total Amps	Length In. (MM)	Weight lb (kg)	Catalog Number
500	120	4.2	18 (457)	13 (6)	BH-942U00500B
	208	2.4	18 (457)	13 (6)	BH-942U00500C
	277	1.8	18 (457)	13 (6)	BH-942U00500N
500/375	240/208	2.1/1.8	18 (457)	13 (6)	BH-942U00500V
1000	120	8.3	23.7 (598)	16.7 (7.6)	BH-942U01000B
	208	4.8	23.7 (598)	16.7 (7.6)	BH-942U01000C
	277	3.6	23.7 (598)	16.7 (7.6)	BH-942U01000N
1000/750	240/208	4.2/3.6	23.7 (598)	16.7 (7.6)	BH-942U01000V
1500	120	12.5	29.1 (739)	20 (9.12)	BH-942U01500B
	208	7.2	29.1 (739)	20 (9.12)	BH-942U01500C
	277	5.4	29.1 (739)	20 (9.12)	BH-942U01500N
1500/1125	240/208	6.3/5.4	29.1 (739)	20 (9.12)	BH-942U01500V
2000	208	9.6	35.6 (880)	24 (10.9)	BH-942U02000C
	277	7.2	35.6 (880)	24 (10.9)	BH-942U02000N
2000/1500	240/208	8.3/7.2	35.6 (880)	24 (10.9)	BH-942U02000V

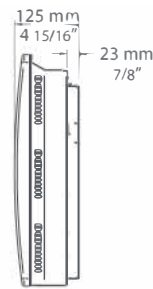
Standard color - Add W for white finish

Special or custom colors - See inside back cover for color codes to be added to the end of catalog number.

Watt	L	
	mm	in.
500W	457	18
1000W	598	23 9/16
1500W	739	29 1/16
2000W	880	34 5/8



Front View



Side View



Top View

922 SERIES

Cabinet Unit Heater



The 922 Series cabinet heater offers a unique combination of quality, efficiency, reliability and flexibility. The attractive cabinet design blends into any commercial decor.

- **Mounting Options:** The cabinet heater can be mounted on the floor, wall or ceiling. It can also be recessed into the wall or ceiling as required. Twelve air inlet and outlet combinations are available.
- **Simplified Maintenance:** The insulated front panel is hinged to allow for easy access.
- **Quiet Operation:** The blower wheel is mounted directly on the motor shaft to reduce the noise level.
- **Fresh Air Inlet:** Manual or optional power-operated inlet allows fresh air to enter through the rear of the heater and mix with re-circulated room air.

Applications

- Classrooms
- Hallways
- Meeting Rooms
- Lobbies
- Stairways
- Corridors
- Waiting Rooms
- Entry Ways

Standard



Special Colors



Standard Construction Features

Heating Elements – Industrial grade steel finned tubular elements.

Housing – Cabinet is constructed of 18-gauge steel with an epoxy/polyester powder paint finish in white or almond.

Outlet Grille – An extruded architectural style aluminum grille discourages tampering with the heating element. The grille can be field converted for front or top air discharge.

Built-in Controls – Automatic reset thermal cutout and fan delay. Power fusing is supplied for heaters over 48 amps.

Fan Motor – The squirrel cage fan is beltless and two-speed, operating at 48 dBA at low speed and 50 dBA at high speed. Fan motors have permanently lubricated sleeve bearings for trouble-free service.

Installation Requirements – For best performance, do not install cabinet heaters above recommended maximum mounting height of ten feet.

Rough In Dimensions – Recess mounting only: Heater Length + 1" wide x 27" high x 12" deep.

922 SERIES Cabinet Unit Heater

Factory Built-in Options

Code	Description
A1	Fresh Air Inlet (1)
A2	Power Operated Fresh Air Inlet (1)
D1	Disconnect Switch 600V, Three-pole, 32 Amp
D2	Disconnect Switch 600V, Three-pole, 64 Amp
D5	Disconnect Switch 600V, Three-pole, 80 Amp
G	Fusing
M	Manual Reset
N1	2-Speed Motor w/High-Low Switch (2)
N2	2-Speed Motor w/High-Low Relay-24 (1) (2) (3)
R1	24V Relay
R2	24V Relay with Transformer
S1	On/Auto Fan Relay-24V Fan Relay with Transformer
S2	On/Stanby 24V Heating Relay with Transformer
S3	On/Auto Fan Switch
S4	On Standby Heating Switch
T1	Tamperproof Thermostat, 1-Stage, Single-pole
T7	Tamperproof Thermostat, 2-Stage (4)
X	120V Control circuit

(1) Built-in thermostat is not available with options A1 or A2.

(2) To obtain the minimum ratings, it is necessary to add the optional "N1" two-speed motor with high/low switch for manual operation or option "N2" two-speed motor with high/low relay-24 Volt. The "N2" can be connected to a remote two-stage, wall-mounted thermostat or field-furnished low voltage device for maximum/minimum control.

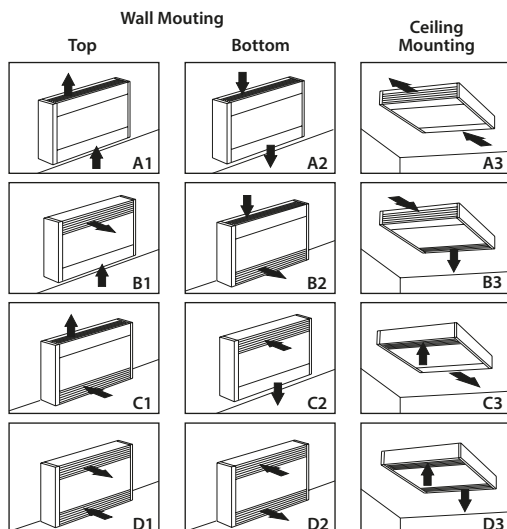
(3) Option N2 is required for two-stage remote thermostat operation.

(4) When choosing Option T7; A1, A2, N1, R1 & R2 are unavailable.

* Additional kW/standard cabinet size combinations are available.

Remote Room Thermostat – See page 41.

Mounting Applications



Field-Installed Options

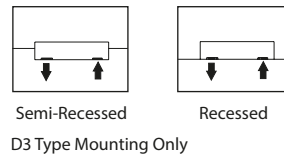
(shipped loose for field installation into heater)

Catalog Number	Description	Heater Length In. (mm)
922-124530	Sub Base	28 (711)
922-124531		48 (1219)
922-124532		66 (1676)
922-124533		80 (2032)
922-124534	Recess Trim Kit	28 (711)
922-124535		48 (1219)
922-124536		66 (1676)
922-124537		80 (2032)
922-124538P	Permanent/Washable Air Filters (Wall Installation Only)	28 (711)
922-124539P		48 (1219)
922-124540P		66 (1676)
922-124541P		80 (2032)
922-124538	Replaceable Throwaway Air Filters (Wall Installation Only)	28 (711)
922-124539		48 (1219)
922-124540		66 (1676)
922-124541		80 (2032)
922-218265	Smooth Finish on Heater Back Plate Kit Heater Length In (mm)	28 (711)
922-218266		48 (1219)
922-218267		66 (1676)
922-218268		80 (2032)
922-289684	24V Relay with Transformer Kit, 208-240V 22A, 277V 19A Kit	
922-224750	Tamperproof Single-pole thermostat kit	

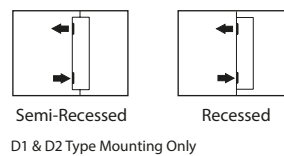
Standard colors - Add W for white finish or A for almond finish to the end of part number.

Special or custom colors - See inside back cover for color codes to be added to end of part number.

Ceiling

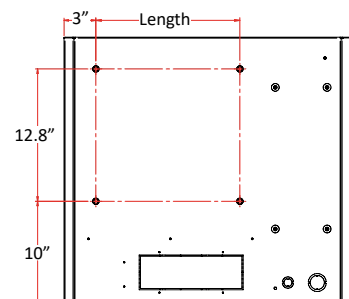


Wall



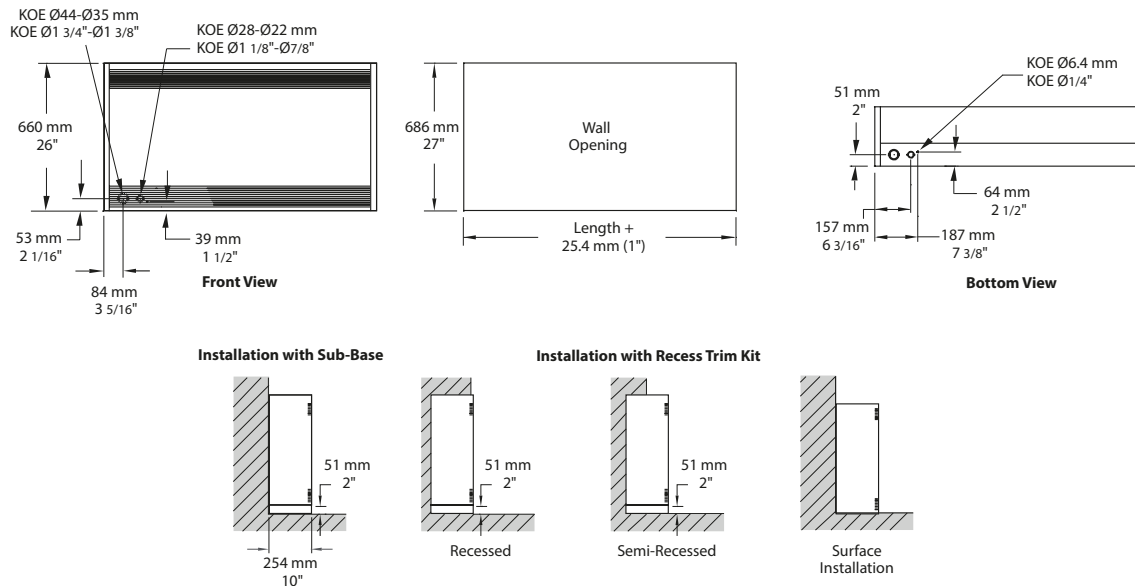
Mounting Hole Positions

Watts	Length In (mm)
2 - 6 kW	14 (356)
6 - 12 kW	34 (864)
15 - 18 kW	52 (1322)
20 - 24 kW	66 (1677)



922 SERIES

Cabinet Unit Heater



Heater Listing

Watts (1)		Volts	Phase	Total Amps (2)		CFM		Approximate Air Temp. Rise °F (°C)	Heater Length In. (mm)	Weight Lbs (kg)	Catalog Number
Max.	Min.			Max.	Min.	Max.	Min.				
2000	1333	208	1	11.0	7.8	250	200	26 (14)	28 (711)	115 (52)	BH-922U02000C
		208	3	7.0	5.1	250	200	26 (14)	28 (711)	115 (52)	BH-922U02000D
		240	1	9.7	7.0	250	200	26 (14)	28 (711)	115 (52)	BH-922U02000J
		240	3	6.2	2.6	250	200	26 (14)	28 (711)	115 (52)	BH-922U02000K
		277	1	8.6	6.2	250	200	26 (14)	28 (711)	115 (52)	BH-922U02000N
		480	3	3.8	3.0	250	200	26 (14)	28 (711)	115 (52)	BH-922U02000U
3000	1000	208	1	15.8	6.2	250	200	38 (21)	28 (711)	115 (52)	BH-922U03000C
		208	3	9.7	4.2	250	200	38 (21)	28 (711)	115 (52)	BH-922U03000D
		240	1	13.9	5.6	250	200	38 (21)	28 (711)	115 (52)	BH-922U03000J
		240	3	8.6	3.8	250	200	38 (21)	28 (711)	115 (52)	BH-922U03000K
		277	1	12.2	5.0	250	200	38 (21)	28 (711)	115 (52)	BH-922U03000N
		480	3	5.0	2.6	250	200	38 (21)	28 (711)	115 (52)	BH-922U03000U
4000	2667	208	1	20.6	14.2	250	200	51 (28)	28 (711)	115 (52)	BH-922U04000C
		208	3	12.5	8.8	250	200	51 (28)	28 (711)	115 (52)	BH-922U04000D
		240	1	18.1	12.5	250	200	51 (28)	28 (711)	115 (52)	BH-922U04000J
		240	3	11.0	7.8	250	200	51 (28)	28 (711)	115 (52)	BH-922U04000K
		277	1	15.8	11.0	250	200	51 (28)	28 (711)	115 (52)	BH-922U04000N
		480	3	6.2	4.6	250	200	51 (28)	28 (711)	115 (52)	BH-922U04000U
5000	3333	208	1	25.4	17.4	250	200	64 (36)	28 (711)	115 (52)	BH-922U05000C
		208	3	15.3	10.7	250	200	64 (36)	28 (711)	115 (52)	BH-922U05000D
		240	1	22.2	15.3	250	200	64 (36)	28 (711)	115 (52)	BH-922U05000J
		240	3	13.4	9.5	250	200	64 (36)	28 (711)	115 (52)	BH-922U05000K
		277	1	19.4	13.4	250	200	64 (36)	28 (711)	115 (52)	BH-922U05000N
		480	3	7.4	5.4	250	200	64 (36)	28 (711)	115 (52)	BH-922U05000U

(1) To obtain the minimum ratings it is necessary to add the optional "N1" two-speed motor with high/low switch for manual operation or option "N2" two-speed motor with high/low relay-24 volt. The "N2" can be connected to a remote two-stage, wall-mounted thermostat or field furnished low voltage device for maximum/minimum control.

(2) Total Amps = Heating element amps and motor amps.

Other voltages available. Consult factory.

Standard colors - Add W for white finish or A for almond finish to the end of catalog number.

Special or custom colors - See inside back cover for color codes to be added to end of catalog number.

Specify mounting application code when ordering (see page 19).

922 SERIES

Cabinet Unit Heater

Heater Listing (continued)

Watts (1)		Volts	Phase	Total Amps (2)		CFM		Approximate Air Temp. Rise °F (°C)	Heater Length In. (mm)	Weight Lbs (kg)	Catalog Number
Max.	Min.			Max.	Min.	Max.	Min.				
6000	4000	208	1	30.2	20.6	250	200	77 (43)	28 (711)	115 (52)	BH-922U06000C
		208	3	18.1	12.5	250	200	77 (43)	28 (711)	115 (52)	BH-922U06000D
		240	1	26.4	18.1	250	200	77 (43)	28 (711)	115 (52)	BH-922U06000J
		240	3	15.8	11.0	250	200	77 (43)	28 (711)	115 (52)	BH-922U06000K
		277	1	23.1	15.8	250	200	77 (43)	28 (711)	115 (52)	BH-922U06000N
		480	3	8.6	6.2	250	200	77 (43)	28 (711)	115 (52)	BH-922U06000U
8000	4000	208	1	41.3	22.0	500	400	51 (28)	48 (1219)	146 (66)	BH-922U08000C
		208	3	25.0	13.9	500	400	51 (28)	48 (1219)	146 (66)	BH-922U08000D
		240	1	36.1	19.5	500	400	51 (28)	48 (1219)	146 (66)	BH-922U08000J
		240	3	22.0	12.4	500	400	51 (28)	48 (1219)	146 (66)	BH-922U08000K
		277	1	31.7	17.2	500	400	51 (28)	48 (1219)	146 (66)	BH-922U08000N
		480	3	12.4	7.6	500	400	51 (28)	48 (1219)	146 (66)	BH-922U08000U
10000	5000	208	1	50.9	26.8	500	400	64 (36)	48 (1219)	146 (66)	BH-922U10000C
		208	3	30.6	16.7	500	400	64 (36)	48 (1219)	146 (66)	BH-922U10000D
		240	1	44.5	23.6	500	400	64 (36)	48 (1219)	146 (66)	BH-922U10000J
		240	3	26.9	14.8	500	400	64 (36)	48 (1219)	146 (66)	BH-922U10000K
		277	1	38.9	20.9	500	400	64 (36)	48 (1219)	146 (66)	BH-922U10000N
		480	3	14.8	8.8	500	400	64 (36)	48 (1219)	146 (66)	BH-922U10000U
12000	6000	208	1	60.5	31.6	500	400	77 (43)	48 (1219)	146 (66)	BH-922U12000C
		208	3	36.1	19.5	500	400	77 (43)	48 (1219)	146 (66)	BH-922U12000D
		240	1	52.8	27.8	500	400	77 (43)	48 (1219)	146 (66)	BH-922U12000J
		240	3	31.7	17.3	500	400	77 (43)	48 (1219)	146 (66)	BH-922U12000K
		277	1	46.1	24.5	500	400	77 (43)	48 (1219)	146 (66)	BH-922U12000N
		480	3	17.2	10.0	500	400	77 (43)	48 (1219)	146 (66)	BH-922U12000U
15000	10000	208	1	76.3	52.3	750	600	63 (35)	66 (1677)	210 (96)	BH-922U15000C
		208	3	45.9	32.0	750	600	63 (35)	66 (1677)	210 (96)	BH-922U15000D
		240	1	66.7	45.9	750	600	63 (35)	66 (1677)	210 (96)	BH-922U15000J
		240	3	40.3	28.3	750	600	63 (35)	66 (1677)	210 (96)	BH-922U15000K
		480	3	22.3	16.2	750	600	63 (35)	66 (1677)	210 (96)	BH-922U15000U
		18000	12000	208	1	90.7	61.9	750	600	77 (43)	66 (1677)
208	3			54.2	37.5	750	600	77 (43)	66 (1677)	210 (96)	BH-922U18000D
240	1			79.2	54.2	750	600	77 (43)	66 (1677)	210 (96)	BH-922U18000J
240	3			47.5	33.1	750	600	77 (43)	66 (1677)	210 (96)	BH-922U18000K
480	3			25.9	18.6	750	600	77 (43)	66 (1677)	210 (96)	BH-922U18000U
20000	13333			208	1	101.8	69.7	1000	800	64 (36)	80 (2032)
		208	3	61.1	42.6	1000	800	64 (36)	80 (2032)	240 (109)	BH-922U20000D
		240	1	88.9	61.2	1000	800	64 (36)	80 (2032)	240 (109)	BH-922U20000J
		240	3	53.7	37.7	1000	800	64 (36)	80 (2032)	240 (109)	BH-922U20000K
		480	3	29.7	21.7	1000	800	64 (36)	80 (2032)	240 (109)	BH-922U20000U
		24000	16000	208	3	72.2	50.1	1000	800	77 (43)	80 (2032)
240	1			105.6	72.3	1000	800	77 (43)	80 (2032)	240 (109)	BH-922U24000J
240	3			63.3	44.1	1000	800	77 (43)	80 (2032)	240 (109)	BH-922U24000K
480	3			34.5	24.9	1000	800	77 (43)	80 (2032)	240 (109)	BH-922U24000U

(1) To obtain the minimum ratings it is necessary to add the optional "N1" two-speed motor with high/low switch for manual operation or option "N2" two-speed motor with high/low relay-24 volt. The "N2" can be connected to a remote two-stage, wall-mounted thermostat or field furnished low voltage device for maximum/ minimum control.

(2) Total Amps = Heating element amps and motor amps.

Standard colors - Add W for white finish or A for almond finish to the end of catalog number.

Special or custom colors - See inside back cover for color codes to be added to end of catalog number.

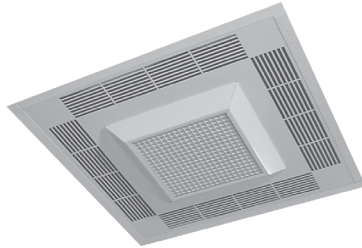
Specify mounting application code when ordering (see page 19).

936/937 SERIES

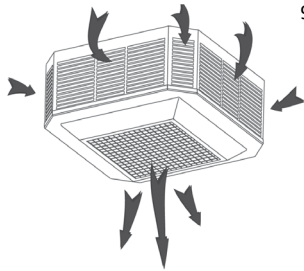
Fan-Forced Ceiling Heater



936 Series Surface Mounting



937 Series Recessed Mounting



Downward Discharge Uniform Circulation

The 936/937 Series ceiling heaters are designed for commercial applications. 936 heaters are designed for surface mounting and can be adapted for T-Bar installation with an optional kit. The 937 Series heater is designed for recessed mounting and installation into 2-feet by 2-feet ceiling grids. The 937 Series comes with a built-in flange; an additional trim ring kit is not required.

- **Enhanced Performance:** These heaters set new industry standards with ratings up to 10,000 W and 600 CFM in single and three-phase 208, 240 and 480 voltages.
- **Increased Comfort:** The side draw-through inlet with down discharge promotes circulation within the space for uniform temperatures and increased comfort.

Standard



Special Colors



Applications

- Classrooms
- Day Care
- Entryways
- Guard Houses
- Hallways
- Lobbies
- Offices
- Reception Areas
- Restrooms
- Vestibules
- Workshops

Standard Construction Features

Heating Elements – Stainless steel tubular elements with aluminum fins.

Outlet Grille – The grille is made of 20-gauge galvanized steel with a flat ribbon wire outlet grille and is finished with a polyester powder paint in white or almond.

Built-in Controls – Automatic reset thermal cutout and fan delay relay.

Fan Motor – Quiet, direct drive aluminum fan and totally enclosed motor with lifetime lubricated ball bearings.

Installation Requirements – For best performance, ceiling heaters should be installed between 8 and 12-feet above the floor.

Rough In Dimensions – 937 Only: 23" wide x 23" high x 6" deep

Factory Built-in Options

Code	Description
D1	Disconnect Switch 600V, Three-pole, 32 Amp
D2	Disconnect Switch 600V, Three-pole, 64 Amp
D3	Disconnect Switch 277V, Double-pole, 16 Amp
R1	24V Control Relay
R2	24V Control Relay with Transformer
S3	Summer Fan Switch and Pilot Light
S5	Summer Fan 24V Relay for Remote Switching and Pilot Light (Switch not included)
S6	Summer Fan 240V Relay for Remote Switching and Pilot Light (Switch not included)
T1	Tamperproof Thermostat
X	120V Control, fused secondary and grounded

Field-Installed Options

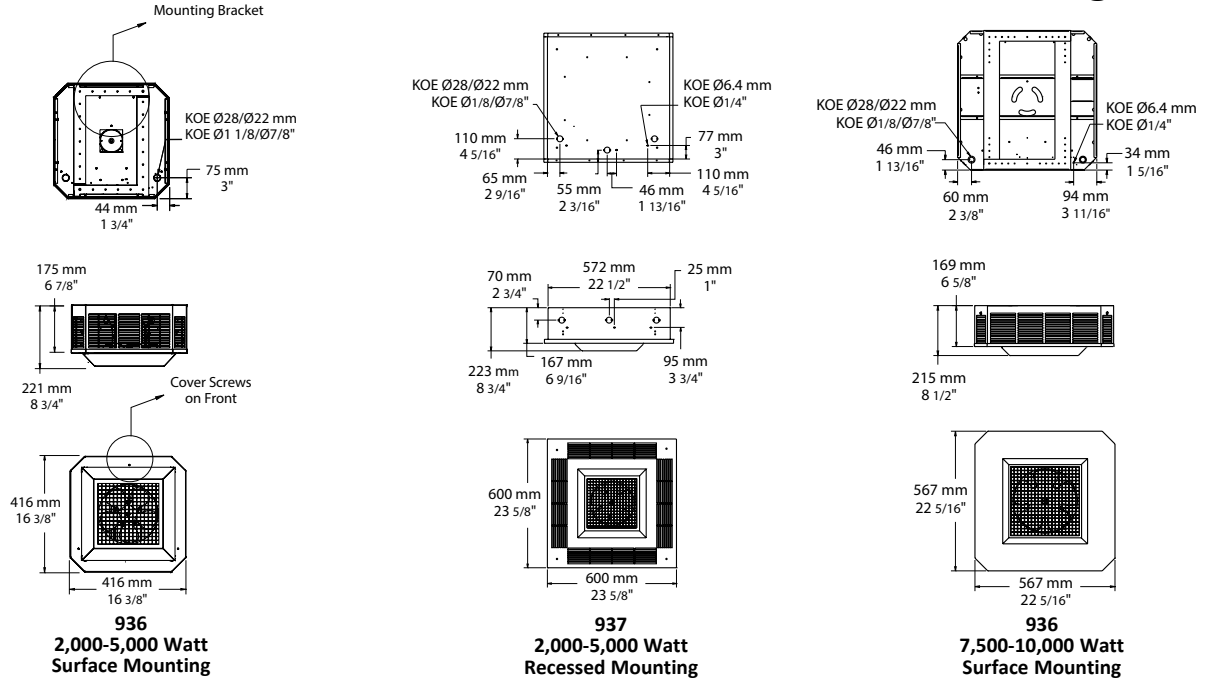
(shipped loose for field installation into heater)

Catalog Number	Description
936-158478	Tamperproof Thermostat Kit
936-218269	24V Control Relay Kit
936-229004	Disconnect Switch Kit, 16 Amp, 277V, Double-pole
936-158479	T-Bar Adaptor for CDI surface mounting 2000 through 5000 watt heaters
936-277095	T-Bar Adaptor for CDI surface mounting 7500-10000 watt heaters

Add W to end of catalog number for white finish or add A for almond finish.

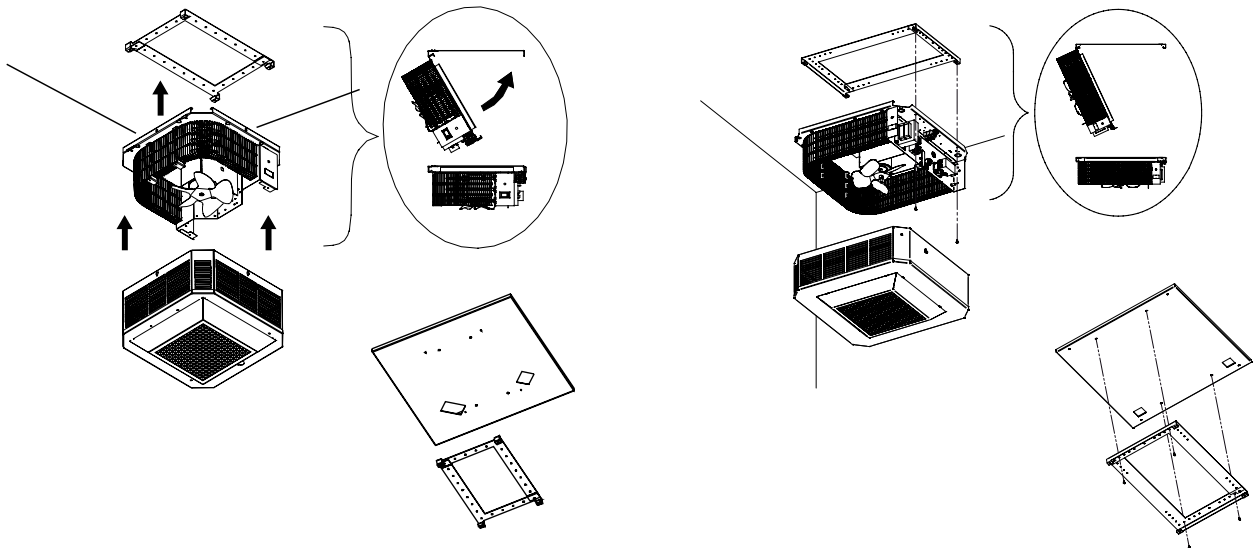
Remote Room Thermostat – See page 41.

936/937 SERIES Fan-Forced Ceiling Heater



**936 Surface Mounting
for 2,000 to 5,000 Watt Heaters**

**936 Surface Mounting
for 7,500 to 10,000 Watt Heaters**



937 Recessed Mounting

**Hanger
Clips**

936/937 SERIES

Fan-Forced Ceiling Heater

936 Series Surface Mounting Heater Listing

Watts	Volts	Phase	Total Amps (1)	CFM	Approximate Air Temperature Rise °F (°C)	Weight lb (kg)	Catalog Number
2000	208	1	10.3	310	20 (11)	25 (11.3)	BH-936U02000C
	208	3	6.3	310	20 (11)	25 (11.3)	BH-936U02000D
	240	1	9.0	310	20 (11)	25 (11.3)	BH-936U02000J
	240	3	5.5	310	20 (11)	25 (11.3)	BH-936U02000K
	277	1	7.9	310	20 (11)	25 (11.3)	BH-936U02000N
	480	1	4.9	310	20 (11)	25 (11.3)	BH-936U02000T
	480	3	3.1	310	20 (11)	25 (11.3)	BH-936U02000U
3000	208	1	15.1	310	30 (17)	25 (11.3)	BH-936U03000C
	208	3	9.0	310	30 (17)	25 (11.3)	BH-936U03000D
	240	1	13.2	310	30 (17)	25 (11.3)	BH-936U03000J
	240	3	7.9	310	30 (17)	25 (11.3)	BH-936U03000K
	277	1	11.5	310	30 (17)	25 (11.3)	BH-936U03000N
	480	1	7.0	310	30 (17)	25 (11.3)	BH-936U03000T
	480	3	4.3	310	30 (17)	25 (11.3)	BH-936U03000U
4000	208	1	19.9	310	41 (23)	25 (11.3)	BH-936U04000C
	208	3	11.8	310	41 (23)	25 (11.3)	BH-936U04000D
	240	1	17.4	310	41 (23)	25 (11.3)	BH-936U04000J
	240	3	10.3	310	41 (23)	25 (11.3)	BH-936U04000K
	277	1	15.1	310	41 (23)	25 (11.3)	BH-936U04000N
	480	1	9.0	310	41 (23)	25 (11.3)	BH-936U04000T
	480	3	5.5	310	41 (23)	25 (11.3)	BH-936U04000U
5000	208	1	24.7	310	51 (28)	25 (11.3)	BH-936U05000C
	208	3	14.6	310	51 (28)	25 (11.3)	BH-936U05000D
	240	1	21.5	310	51 (28)	25 (11.3)	BH-936U05000J
	240	3	12.7	310	51 (28)	25 (11.3)	BH-936U05000K
	277	1	18.8	310	51 (28)	25 (11.3)	BH-936U05000N
	480	1	11.1	310	51 (28)	25 (11.3)	BH-936U05000T
	480	3	6.7	310	51 (28)	25 (11.3)	BH-936U05000U
7500	208	1	36.8	600	39 (22)	34 (15.4)	BH-936U07500C
	208	3	21.5	600	39 (22)	34 (15.4)	BH-936U07500D
	240	1	32.0	600	39 (22)	34 (15.4)	BH-936U07500J
	240	3	18.7	600	39 (22)	34 (15.4)	BH-936U07500K
	277	1	27.8	600	39 (22)	34 (15.4)	BH-936U07500N
	480	1	16.3	600	39 (22)	34 (15.4)	BH-936U07500T
	480	3	9.7	600	39 (22)	34 (15.4)	BH-936U07500U
9900	208	1	48.0	600	53 (29)	34 (15.4)	BH-936U09900C
	208	3	28.0	600	53 (29)	34 (15.4)	BH-936U09900D
10000	240	1	42.4	600	53 (29)	34 (15.4)	BH-936U10000J
	240	3	24.8	600	53 (29)	34 (15.4)	BH-936U10000K
	277	1	36.8	600	53 (29)	34 (15.4)	BH-936U10000N
	480	1	21.5	600	53 (29)	34 (15.4)	BH-936U10000T
	480	3	12.7	600	53 (29)	34 (15.4)	BH-936U10000U

(1) Total Amps = Heating element amps and motor amps.

Add **W** to end of catalog number for white finish or add **A** for almond finish.

Special or custom colors - See inside back cover for color codes to be added to the end of the catalog number.

936/937 SERIES

Fan-Forced Ceiling Heater

937 Series Recessed Mounting Heater Listing

Watts	Volts	Phase	Total Amps (1)	CFM	Approximate Air Temperature Rise °F (°C)	Weight lb (kg)	Catalog Number
2000	208	1	10.3	310	20 (11)	31 (14)	BH-937U02000C
	208	3	6.3	310	20 (11)	31 (14)	BH-937U02000D
	240	1	9.0	310	20 (11)	31 (14)	BH-937U02000J
	240	3	5.5	310	20 (11)	31 (14)	BH-937U02000K
	277	1	7.9	310	20 (11)	31 (14)	BH-937U02000N
	480	1	4.9	310	20 (11)	31 (14)	BH-937U02000T
	480	3	3.1	310	20 (11)	31 (14)	BH-937U02000U
3000	208	1	15.1	310	30 (17)	31 (14)	BH-937U03000C
	208	3	9.0	310	30 (17)	31 (14)	BH-937U03000D
	240	1	13.2	310	30 (17)	31 (14)	BH-937U03000J
	240	3	7.9	310	30 (17)	31 (14)	BH-937U03000K
	277	1	11.5	310	30 (17)	31 (14)	BH-937U03000N
	480	1	7.0	310	30 (17)	31 (14)	BH-937U03000T
	480	3	4.3	310	30 (17)	31 (14)	BH-937U03000U
4000	208	1	19.9	310	41 (23)	31 (14)	BH-937U04000C
	208	3	11.8	310	41 (23)	31 (14)	BH-937U04000D
	240	1	17.4	310	41 (23)	31 (14)	BH-937U04000J
	240	3	10.3	310	41 (23)	31 (14)	BH-937U04000K
	277	1	15.1	310	41 (23)	31 (14)	BH-937U04000N
	480	1	9.0	310	41 (23)	31 (14)	BH-937U04000T
	480	3	5.5	310	41 (23)	31 (14)	BH-937U04000U
5000	208	1	24.7	310	51 (28)	31 (14)	BH-937U05000C
	208	3	14.6	310	51 (28)	31 (14)	BH-937U05000D
	240	1	21.5	310	51 (28)	31 (14)	BH-937U05000J
	240	3	12.7	310	51 (28)	31 (14)	BH-937U05000K
	277	1	18.8	310	51 (28)	31 (14)	BH-937U05000N
	480	1	11.1	310	51 (28)	31 (14)	BH-937U05000T
	480	3	6.7	310	51 (28)	31 (14)	BH-937U05000U

(1) Total Amps = Heating element amps and motor amps.

Add W to end of catalog number for white finish or add A for almond finish.

Special or custom colors - See inside back cover for color codes to be added to the end of the catalog number.

931 SERIES

Commercial Ceiling Heater



Applications

- Entryways
- Garages
- Hallways
- Restrooms
- Stairwells
- Vestibules

The 931 Series ceiling heater is designed for commercial use in areas where no wall space is available. It provides supplemental heat to prevent cold drafts or wide temperature swings.

- **Extended Capacity:** 931 heaters are available as single or double modules with ratings up to 8,000 W and 320 CFM in 480 volt single-phase.
- **Control Options:** Heaters can be controlled by a building management system with the addition of a low voltage relay.
- **Flexible Mounting:** Units can be surface, (with optional surface mounting box) recessed or installed in T-Bar ceiling systems.

Standard



Special Colors



Standard Construction Features

Heating Elements – Steel finned tubular elements.

Outlet Grille – The louvered front grille is made of 18-gauge steel with rounded corners. The grille is finished with a polyester powder paint in white or almond.

Built-in Controls – Automatic reset thermal cutout, fan override with contactor when required.

Fan Motor – Permanently lubricated, open and ventilated fan. The single unit has a 160 CFM fan (55.5 dBA) and the double unit has 2 x 160 CFM fans (58.5 dBA).

Installation Requirements – For best performance, do not install ceiling heaters above recommended maximum mounting height of ten feet. Heater must be installed at least ten inches from adjacent walls.

Rough In Dimensions –

- 1500/1125 - 4800 Watt heaters: 14-1/2" wide x 19-7/8" high x 4-1/2" deep.
- 6000/4500 - 8000 Watt heaters: 30-3/16" wide x 19-7/8" high x 4-1/2" deep.

Factory Built-in Options

Code	Description
D1	Disconnect Switch 600V, Three-pole, 32 Amp
D2	Disconnect Switch, 600V, Three-pole, 64 Amp
D3	Disconnect Switch 277V, Double-pole, 16 Amp
R1	24V Control Relay
R2	24V Control Relay with Transformer (1)
T1	Built-in Tamperproof Thermostat
T2	Adjustable Thermostat

(1) Not available for 120V heaters.

Field-Installed Options

(shipped loose for field installation into heater)

Catalog Number	Description
931-124506	Surface Mounting Box (1500-4800W)
931-158213	Surface Mounting Box (6000-8000W)
931-124507	Built-in Thermostat Kit (both knob & tamperproof plug provided)
931-124508	24V Control Relay Kit
931-124512	T-Bar Adapter 23-3/4" x 23-3/4" (1500-4800W)
931-124513	T-Bar Adapter 23-3/4" x 47-11/16" (6000-8000W)
931-218272	Extruded Aluminum Front Grille (1500-4800W)
931-218273	Extruded Aluminum Front Grille (6000-8000W)
931-218274	Surface Mounting Box for Aluminum Front Grille (1500-4800W)
931-218275	Surface Mounting Box for Aluminum Front Grille (6000-8000W)

Standard colors - Add W for white finish or A for almond finish to the end of catalog number.

Special or custom colors - See inside back cover for color codes to be added to end of catalog number.

Remote Room Thermostat – See page 41.

931 SERIES

Commercial Ceiling Heater

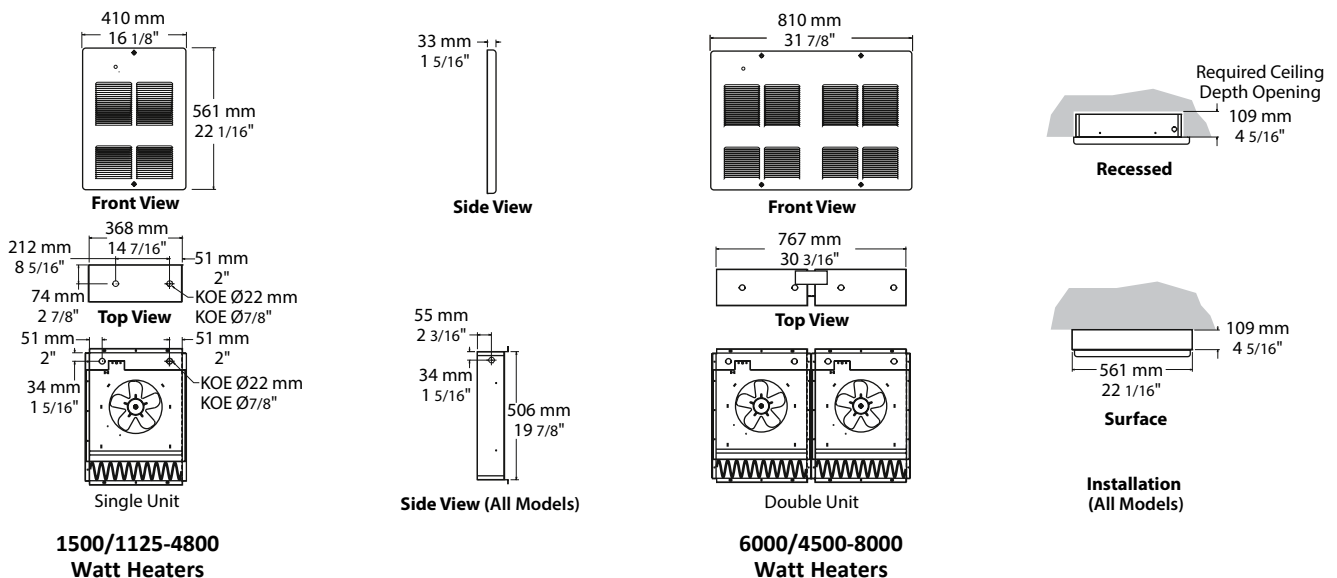
Heater Listing

Watts	Volts (1 Phase)	Totals Amps (1)	CFM	Approximate Air Temperature Rise °F (°C)	Weight lb (kg)	Catalog Number
1500/1125	240/208	6.6/5.8	160	30/27 (17/12)	20 (9)	BH-931U01500V
1500	120	12.9	160	30/27 (17/12)	20 (9)	BH-931U01500B
	277	5.8	160	30 (17)	26 (12)	BH-931U01500N
	480	3.5	160	30 (17)	26 (12)	BH-931U01500T
2000/1500	240/208	8.7/7.6	160	40/30 (22/17)	20 (9)	BH-931U02000V
2000	277	7.6	160	40 (22)	26 (12)	BH-931U02000N
	480	4.5	160	40 (22)	26 (12)	BH-931U02000T
3000/2250	240/208	12.9/11.2	160	60/45 (33/25)	20 (9)	BH-931U03000V
3000	277	11.2	160	60 (33)	26 (12)	BH-931U03000N
	480	6.6	160	60 (33)	26 (12)	BH-931U03000T
4000/3000	240/208	17.0/14.8	160	80/60 (44/33)	20 (9)	BH-931U04000V
4000	208	19.6	160	80 (44)	20 (9)	BH-931U04000C
	277	14.8	160	80 (44)	26 (12)	BH-931U04000N
	480	8.7	160	80 (44)	26 (12)	BH-931U04000T
4800/3600	240/208	20.5/17.8	160	95/83 (53/36)	24 (11)	BH-931U04800V
4800	208	23.6	160	95 (53)	24 (11)	BH-931U04800C
	277	17.8	160	95 (53)	26 (12)	BH-931U04800N
	480	10.4	160	95 (53)	26 (12)	BH-931U04800T
6000/4500	240/208	25.4/22.0	320	60/45 (33/25)	40 (18)	BH-931U06000V
6000	277	22.1	320	60 (33)	52 (24)	BH-931U06000N
	480	12.9	320	60 (33)	52 (24)	BH-931U06000T
8000/6000	240/208	33.7/29.2	320	80/60 (44/33)	40 (18)	BH-931U08000V
8000	208	38.9	320	80 (44)	40 (18)	BH-931U08000C
	277	29.3	320	80 (44)	52 (24)	BH-931U08000N
	480	17.1	320	80 (44)	52 (24)	BH-931U08000T

(1) Total Amps includes motor amps.

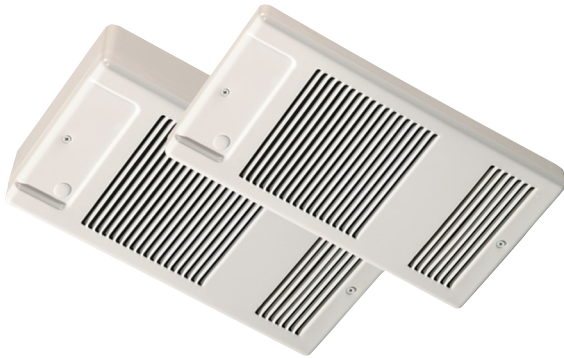
Standard colors - Add W for white finish or A for almond finish to the end of catalog number.

Special or custom colors - See inside back cover for color codes to be added to end of catalog number.



941 SERIES

Fan-Forced Ceiling Heater



Applications

- Breezeways
- Entryways
- Restrooms
- Small Offices
- Storage Rooms

The 941 Series ceiling heater is designed for recessed mounting into a ceiling. It provides heat in a quiet, efficient manner. Single units can heat small areas and multiple heaters can be used in large or odd-shaped rooms.

- **Mounting Options:** Units can be surface (with optional box) or recessed mounted. A tapered recess box assures a tight fit when mounted into the wall.

Standard



Special Colors



Standard Construction Features

Housing – The cabinet is 20-gauge steel with a V-shaped recessed box.

Outlet Grille – The louvered front grille is made from 22-gauge steel with rounded corners. The grille is finished with an epoxy/polyester powder paint in white or almond. Optional colors: metallic silver, bronze, metallic charcoal, aluminum, and semi-gloss.

Built-in Controls – Automatic reset thermal cutout.

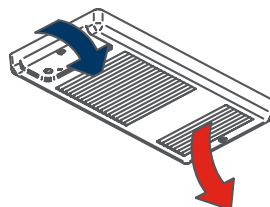
Fan Motor – Quiet, permanently lubricated axial fan operates at 38 dBA at 40 CFM for models up to 1,000 W and 41.3 dBA at 80 CFM for all models rated above 1,000 W.

Installation Requirements – The air outlet should be installed a minimum of ten inches from the wall and should be oriented towards the center of the room.

Control – Room temperature is controlled by a remote wall mounted thermostat which is sold separately.

Rough In Dimensions – All heaters: 7-3/16" wide x 14-1/8" high x 3" deep.

Pictures showing front panel. Directional vane air flow.



941 SERIES Fan-Forced Ceiling Heater

Heater Listing

Watts	Volts (1 Phase)	Total Amps (1)	CFM	Approximate Air Temperature Rise °F (°C)	Weight lb (kg)	Catalog Number
500	120	4.6	40	40 (22)	9 (4)	BH-941U00500B
500/375	240/208	2.3/2.0	40	40/30 (22/17)	9 (4)	BH-941U00500V
750	120	6.7	40	60 (33)	9 (4)	BH-941U00750B
750/563	240/208	3.3/2.9	40	60/45 (33/25)	9 (4)	BH-941U00750V
1000	120	8.7	40	80 (44)	9 (4)	BH-941U01000B
1000/750	240/208	4.5/3.8	40	80/60 (44/33)	9 (4)	BH-941U01000V
1250	120	10.8	80	50 (28)	9 (4)	BH-941U01250B
1250/938	240/208	5.4/4.7	80	50/37 (28/21)	9 (4)	BH-941U01250V
1500	120	12.9	80	60 (33)	9 (4)	BH-941U01500B
1500/1125	240/208	6.5/5.6	80	60/45 (33/25)	9 (4)	BH-941U01500V

(1) Total Amps = Heating element amps and motor amps.

All models listed are single-phase.

Standard colors - Add W for white finish or A for almond finish to the end of catalog number.

Special or custom colors - See inside back cover for color codes to be added to end of catalog number.

Factory Built-in Options

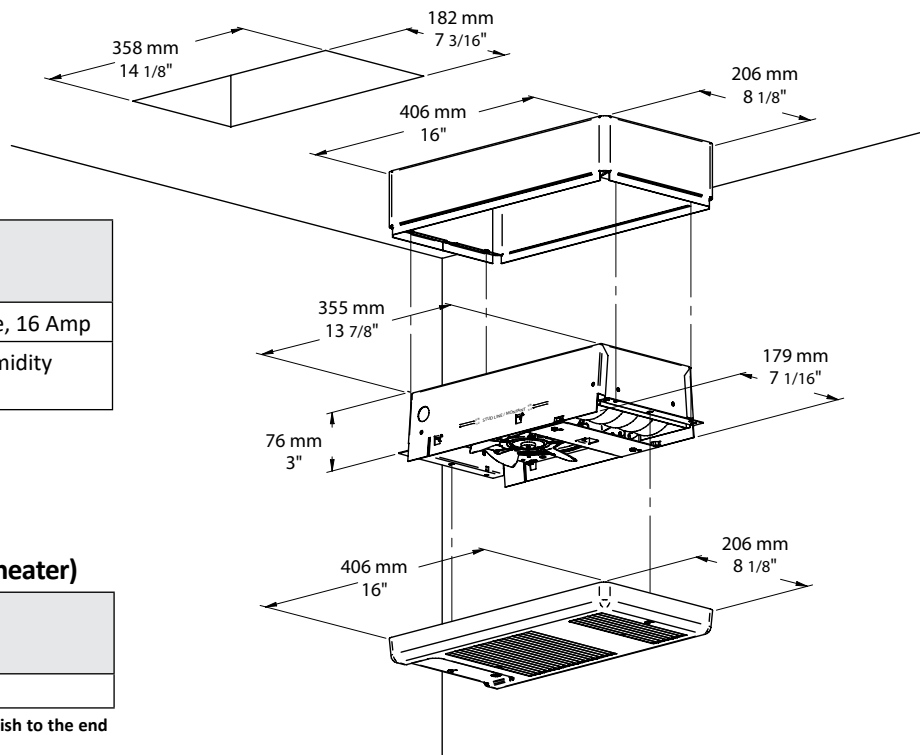
Code	Description
D3	Disconnect Switch 277V, Double-pole, 16 Amp
C	Factory Sealed Elements for high humidity applications

Field-Installed Options (shipped loose for field installation into heater)

Catalog Number	Description
941-227578	Surface Mounting Box

Standard colors - Add W for white finish or A for almond finish to the end of catalog number.

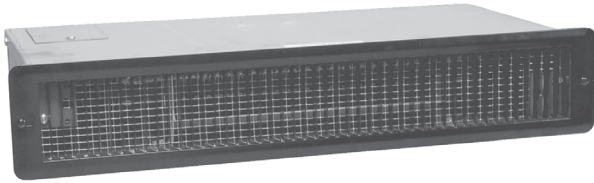
Special or custom colors - See inside back cover for color codes to be added to end of catalog number.



Remote Room Thermostat – See page 41.

938 SERIES

Fan-Forced Toe-Space Heater



Applications

- Checkout Counters
- Reception Areas
- Kitchens
- Ticket/Tollbooths

Standard

Special Colors



The 938 Series heater is designed for installation in places where other heaters do not fit. These heaters can be installed into the toe space or kick space below a cabinet, in the soffit above a cabinet or into risers of a stairway.

- **Multiple Wattage:** Quick disconnect lead wires allow output conversion from 1,000 to 500 watts.
- **Overtemperature Protection:** Automatic and manual reset thermal cutout is provided for primary and secondary overtemperature protection.
- **Two-piece Construction:** Unit is designed for easy installation. The fan, motor and controls are factory assembled into a sheet metal box with a removable front grille.

Standard Construction Features

Heating Elements – Steel finned tubular elements provide durability.

Outlet Grille – Heavy 20-gauge steel grille has a polyester powder paint finish. Standard grille colors include black, white or almond.

Built-in Controls – Heater comes complete with a bi-metal automatic and manual reset thermal cutouts.

Fan Motor – Factory-lubricated fan motor operates at 44.5 dBA with 80 CFM.

Soffit Adapter – Included with the heater.

Installation Requirements – Do not install heater near thermosensitive materials.

Rough In Dimensions – All heaters: 20-1/2" wide x 3-27/32" high x 10-1/2" deep.

Remote Room Thermostat – See page 41.

Factory Built-in Options

Code	Description
T5	Adjustable thermostat, single-pole; 25 Amp
T6	Adjustable thermostat, double-pole; 25 Amp with off position

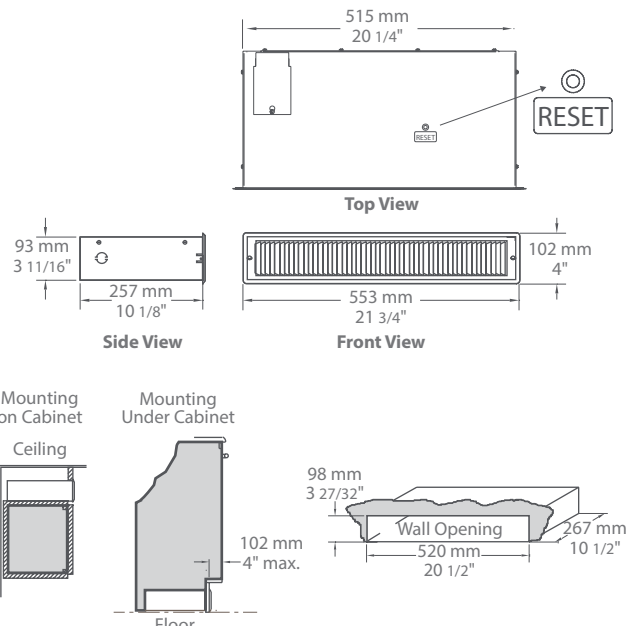
Heater Listing

Watts	Volts	Total Amps (1)	CFM	Approximate Air Temperature Rise °F (°C)	Weight lb (kg)	Catalog Number
1000/500	120	8.8/4.6	80	20 (11)	13 (6)	BH-938U01000B
500/375	240/208	2.5/2.3	80	20/15	13 (6)	BH-938U01000V
1000/750		4.6/4.1	80	40/30 (22/17)	13 (6)	

(1) Total Amps = Heating element amps and motor amps.

Add W to end of catalog number for white finish, A for almond, or BK for black.

Special or custom colors - See inside back cover for color codes to be added to end of catalog number.



Field-Installed Options

(shipped loose for field installation into heater)

Catalog Number	Description
938-158480	Adjustable thermostat kit, single-pole; 25 Amp
938-218240	Adjustable thermostat kit, double-pole; 25 Amp with off position

939 SERIES Fan-Forced Floor Heater



The 939 Series floor heater is compact to fit into tight spaces. It is designed to mount between the floor joists.

- **Unique Design:** The heater features a separate housing and core assembly. The core assembly is completely prewired with leads and an electrical connection plug, which can be removed for service and cleaning without disturbing the housing or field wiring.
- **Safety Screen:** A protective screen prevents foreign objects from falling onto the heating elements or interfering with the fan.

Applications

- Entryways
- Small Rooms
- Open Stairwells
- Under Large Window Areas

Standard Special Colors



Standard Construction Features

Heating Elements – Steel finned tubular elements provide durability.

Housing – Heavy welded 20-gauge steel housing.

Outlet Grille – The 14-gauge steel grille has a polyester powder paint finish. Standard grille colors include bronze, white or almond.

Built-in Controls – Manual reset thermal cutout prevents overheating.

Fan Motor – Quiet, factory-lubricated fan motor operates at 43.9 dBA with 80 CFM.

Installation Requirements – Floor heaters should be installed a minimum of six inches from adjacent walls.

Rough In Dimensions – All heaters: 14-3/8" wide x 7-7/16" high x 8" deep.

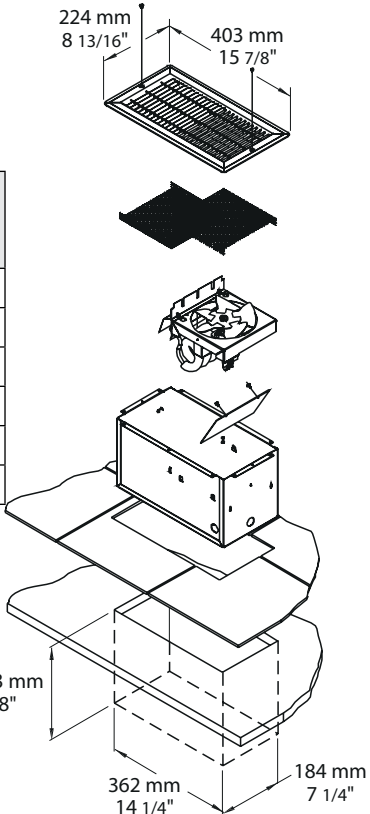
Heater Listing

Watts	Volts	Total Amps (1)	CFM	Approximate Air Temperature Rise °F (°C)	Weight lb (kg)	Catalog Number
500	120	4.6	80	20 (11)	16 (7.3)	BH-939U00500B
1000	120	8.8	80	40 (22)	16 (7.3)	BH-939U01000B
1500	120	13.0	80	60 (33)	16 (7.3)	BH-939U01500B
500/375	240/208	2.6/2.3	80	20/15 (11/8.3)	16 (7.3)	BH-939U00500V
1000/750	240/208	4.6/4.1	80	40/30 (22/17)	16 (7.3)	BH-939U01000V
1500/1125	240/208	6.7/5.9	80	60/45 (33/25)	16 (7.3)	BH-939U01500V

(1) Total Amps = Heating element amps and motor amps.

Add W to end of catalog number for white finish, A for almond, or BZ for bronze.

Special or custom colors - See inside back cover for color codes to be added to end of catalog number.



Remote Room Thermostat – See page 41.

BH-AS SERIES

Radiant Ceiling Panels



Applications

- Atriums
- Enclosed Walkways
- Entryways
- Hospitals
- Lobbies
- Offices
- Schools
- Warehouses

BH-AS Series radiant panels are ideal for offsetting heat loss through exterior glass on the perimeter of a building. They help to control the problem of condensation typically found with these large exterior glass walls. Radiant panels provide improved comfort by maintaining an even temperature from floor to ceiling.

- **Radiant Heat:** Radiant energy travels in straight lines and is absorbed by objects in the room, warming the space. Air quality is maintained because no forced air movement occurs with radiant heating.
- **Maximize Work Area:** Ceiling mounted panels permit full use of floor and wall space.
- **Maintenance Free:** Radiant panels have no moving parts, so they are maintenance free and can provide years of quiet, safe and clean operation.

Standard Construction Features

Heating Element – High quality alloy resistance wire is electrically insulated with a UL Listed PTFE[®] compound rated for 250°C (482°F). Heating wires are covered with high-efficiency reflective foil.

Panel Design – Panel is made of 22-gauge galvanized steel with a white baked-on powder paint finish. Panel is crimped, not riveted, for improved strength.

Insulation – Each panel contains two inches of high temperature/high density mineral wool insulation.

Electrical – Integrated junction box is built into each panel for field wiring and to connect panels to each other.

Installation Requirements – Heater can be installed in suspended T-bar ceiling systems or can be surface or recessed mounted using optional mounting frames.

Heater comes equipped with four suspension clips. Connecting wire or chain is supplied by customer.

Minimum recommended mounting height is eight feet from the floor.

Rough In Dimensions –

Plaster Mounting Frames:

- PF-22: 24-1/8" x 24-1/8"
- PF-24 and SPF 24: 24-1/8" x 48-1/8"
- PF-1448: 14-18" x 48-1/8"
- PF-1460: 14-1/8" x 60-1/8"

BH-AS SERIES

Radiant Ceiling Panels

Factory Built-in Options

Code	Description
FC	48" Flexible conduit
S	Silicone seams, provides protection in high moisture areas. Includes 36" of sealtite conduit.
TEG	Tegular reveal edge detail of 9/16" grid.

Finishes

Code	Description
O	Specify custom color finish.
PT	Standard finish; textured white baked-on powder coating on front panel.
S304	304 Stainless steel construction, includes 36" of sealtite conduit and silicone seal.
S316	316 Stainless steel construction, includes 36" of sealtite conduit and silicone seal.
SS	Silk screen to match acoustical ceiling tiles (specify style).
	One time set-up fee if pattern is not in stock.

Field-Installed Options

(shipped loose for field installation into heater)

Catalog Number	Width In. (mm)	Length In. (mm)	Weight lb. (kg)
Surface Mounting Frames			
SF-22	24 (610)	24 (610)	4 (1.8)
SF-24	24 (610)	48 (1219)	9 (4.1)
SF-1448	14 (356)	48 (1219)	8 (3.6)
SF-1460	14 (356)	60 (1524)	10 (4.5)
Plaster Mounting Frames			
PF-22	24 (610)	24 (610)	2 (1.0)
PF-24	24 (610)	48 (1219)	4 (1.8)
SPF-24 (1)	24 (610)	48 (1219)	4 (1.8)
PF-1448	14 (356)	48 (1219)	5 (2.3)
PF-1460	14 (356)	60 (1524)	6 (2.7)
Filler Panel			
FP	Sized and finished to match standard, custom color or silk screened panel.		

(1) Stainless steel frame, specify 304 or 316 type.
Add finish code to end of catalog number.

Remote Room Thermostat – See page 41.

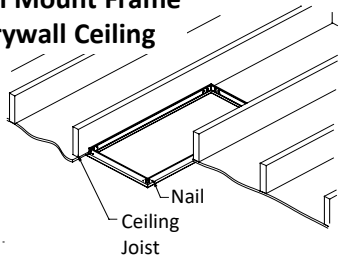
Control Options

Catalog Number	Description
SR-LV	SmartRooms low voltage controller. Sensor(s) must be ordered at the same time. Requires connection to SmartRooms Communication Panel.
PL-1	Plaster ring for SR-LV Controller
Sensors	Used with SR-240/120, 15' long
	Longer length add per foot
SRDP-10/10	SmartRooms Panel w/10comm. Ports and 10 ea. 20 amp relays
SRDP-10/20	SmartRooms Panel w/10comm. Ports and 20 ea. 20 amp relays
SRDP-20/20	SmartRooms Panel w/20comm. Ports and 20 ea. 20 amp relays

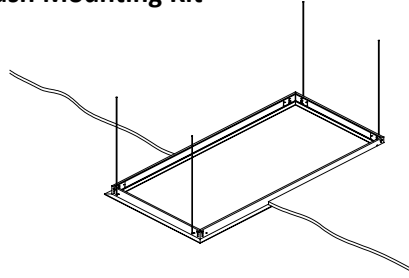
BH-AS SERIES

Radiant Ceiling Panels

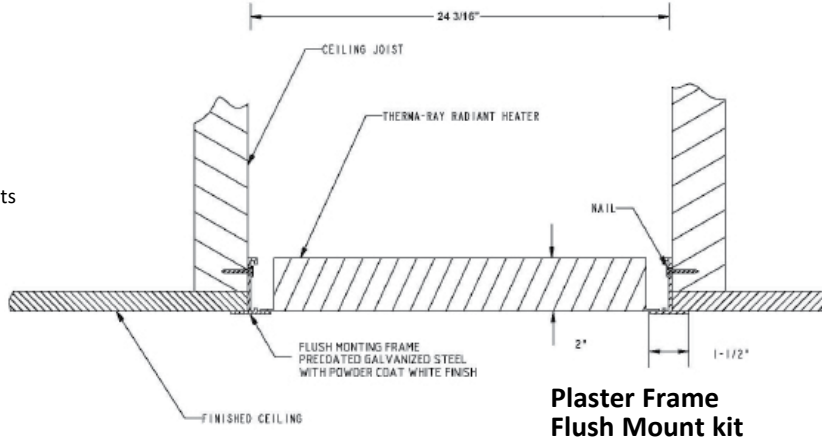
Flush Mount Frame in Drywall Ceiling



Wire Suspended Flush Mounting Kit

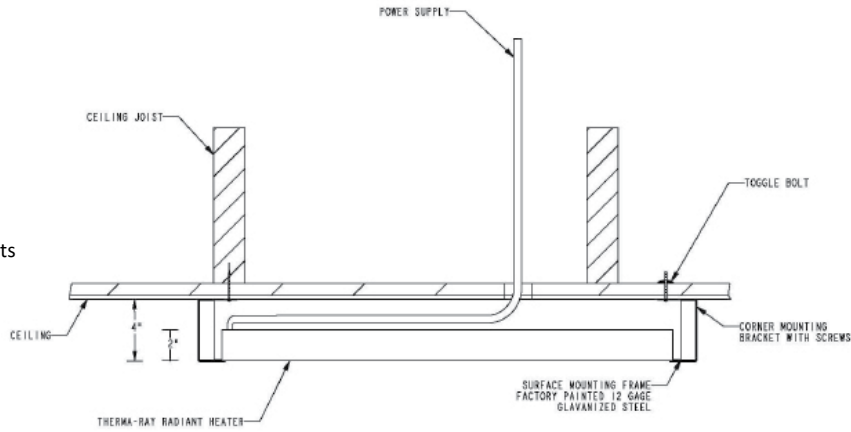


- Each Kit Includes:
- 2 - Side Pieces
 - 2 - End Pieces
 - 4 - Corner Brackets

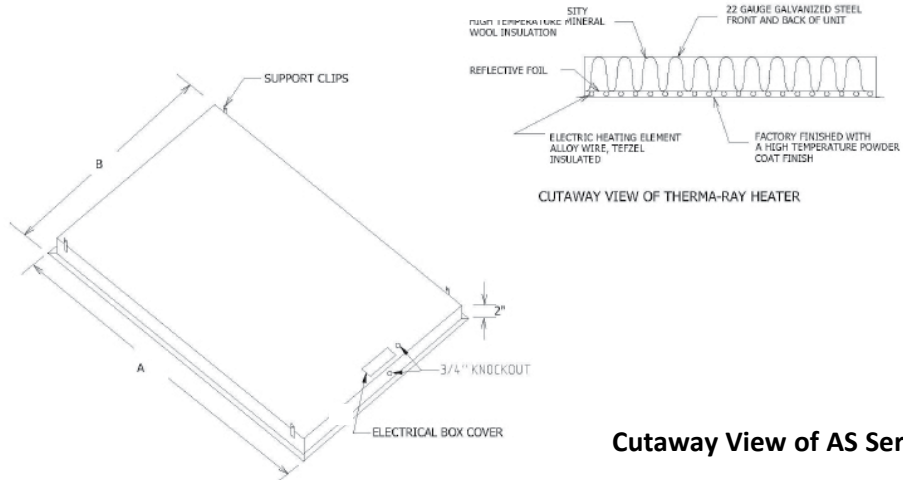


Plaster Frame Flush Mount kit

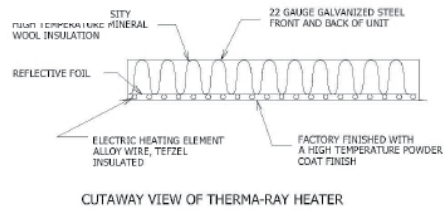
- Each Kit Includes:
- 2 - Side Channels
 - 2 - End Channels
 - 4 - Corner Brackets with screws



Surface Mounting



Cutaway View of AS Series Heater



BH-AS SERIES

Radiant Ceiling Panels

BH-AS - Radiant Ceiling Panels Listing

Watts	Volts (1 Phase)	Width In. (mm)	Height In. (mm)	Amps	Weight Lb. (kg)	Catalog Number
-------	--------------------	-------------------	--------------------	------	--------------------	-------------------

24 x 24

250	120	24 (610)	24 (610)	2.1	15 (6.8)	BH-AS2424-250-120
250	240	24 (610)	24 (610)	1.0	15 (6.8)	BH-AS2424-250-240
250	277	24 (610)	24 (610)	0.9	15 (6.8)	BH-AS2424-250-277
310	120	24 (610)	24 (610)	2.6	15 (6.8)	BH-AS2424-310-120
310	208	24 (610)	24 (610)	1.5	15 (6.8)	BH-AS2424-310-208
310	240	24 (610)	24 (610)	1.3	15 (6.8)	BH-AS2424-310-240
310	277	24 (610)	24 (610)	1.1	15 (6.8)	BH-AS2424-310-277
325	240	24 (610)	24 (610)	1.4	15 (6.8)	BH-AS2424-325-240
335	120	24 (610)	24 (610)	2.8	15 (6.8)	BH-AS2424-335-120
335	277	24 (610)	24 (610)	1.2	15 (6.8)	BH-AS2424-335-277
375	120	24 (610)	24 (610)	3.1	15 (6.8)	BH-AS2424-375-120
375	208	24 (610)	24 (610)	1.8	15 (6.8)	BH-AS2424-375-208
375	277	24 (610)	24 (610)	1.4	15 (6.8)	BH-AS2424-375-277

24 x 48

500	120	24 (610)	48 (1219)	4.2	30 (13.6)	BH-AS2448-500-120
500	240	24 (610)	48 (1219)	2.1	30 (13.6)	BH-AS2448-500-240
500	277	24 (610)	48 (1219)	1.8	30 (13.6)	BH-AS2448-500-277
515	208	24 (610)	48 (1219)	2.5	30 (13.6)	BH-AS2448-515-208
535	208	24 (610)	48 (1219)	2.6	30 (13.6)	BH-AS2448-535-208
625	120	24 (610)	48 (1219)	5.2	30 (13.6)	BH-AS2448-625-120
625	208	24 (610)	48 (1219)	3.0	30 (13.6)	BH-AS2448-625-208
625	240	24 (610)	48 (1219)	2.6	30 (13.6)	BH-AS2448-625-240
660	277	24 (610)	48 (1219)	2.4	30 (13.6)	BH-AS2448-660-277
725	240	24 (610)	48 (1219)	3.0	30 (13.6)	BH-AS2448-725-240
750	120	24 (610)	48 (1219)	6.3	30 (13.6)	BH-AS2448-750-120
750	208	24 (610)	48 (1219)	3.6	30 (13.6)	BH-AS2448-750-208
750	277	24 (610)	48 (1219)	2.7	30 (13.6)	BH-AS2448-750-277

14 x 48

300	240	14 (356)	48 (1219)	1.3	18 (8.2)	BH-AS1448-300-240
350	120	14 (356)	48 (1219)	2.9	18 (8.2)	BH-AS1448-350-120
350	277	14 (356)	48 (1219)	1.3	18 (8.2)	BH-AS1448-350-277
400	208	14 (356)	48 (1219)	1.9	18 (8.2)	BH-AS1448-400-208
435	208	14 (356)	48 (1219)	2.1	18 (8.2)	BH-AS1448-435-208
435	240	14 (356)	48 (1219)	1.8	18 (8.2)	BH-AS1448-435-240
435	277	14 (356)	48 (1219)	1.6	18 (8.2)	BH-AS1448-435-277

14 x 60

350	120	14 (356)	60 (1524)	2.9	22 (10.0)	BH-AS1460-350-120
375	240	14 (356)	60 (1524)	1.6	22 (10.0)	BH-AS1460-375-240
375	277	14 (356)	60 (1524)	1.4	22 (10.0)	BH-AS1460-375-277
450	208	14 (356)	60 (1524)	2.2	22 (10.0)	BH-AS1460-450-208
535	277	14 (356)	60 (1524)	1.9	22 (10.0)	BH-AS1460-535-277
550	240	14 (356)	60 (1524)	2.3	22 (10.0)	BH-AS1460-550-240

Add finish code to end of catalog number. See page 33.

918 SERIES

Cove Heater



Applications

- Classrooms
- Garages
- Hospital Rooms
- Lobbies
- Offices
- Restrooms

918 Series heaters are designed to supply efficient radiant heat. They provide greater comfort at lower temperature settings and can be set up for individual or zone control to reduce energy costs.

- **Radiant Heat:** Radiant energy travels in a straight line from the heater to people and objects in the room, warming the space.
- **Convection Flow:** The design of the heater provides a convection flow from behind and over the top of the unit to circulate warm air into the room.
- **Virtually Maintenance Free:** No moving parts to replace or service.
- **Wall Installation:** For ease of installation, brackets are supplied that do not require the opening of the heater's casing.

Standard Construction Features

Heating Element – Stainless steel tubular heating element.

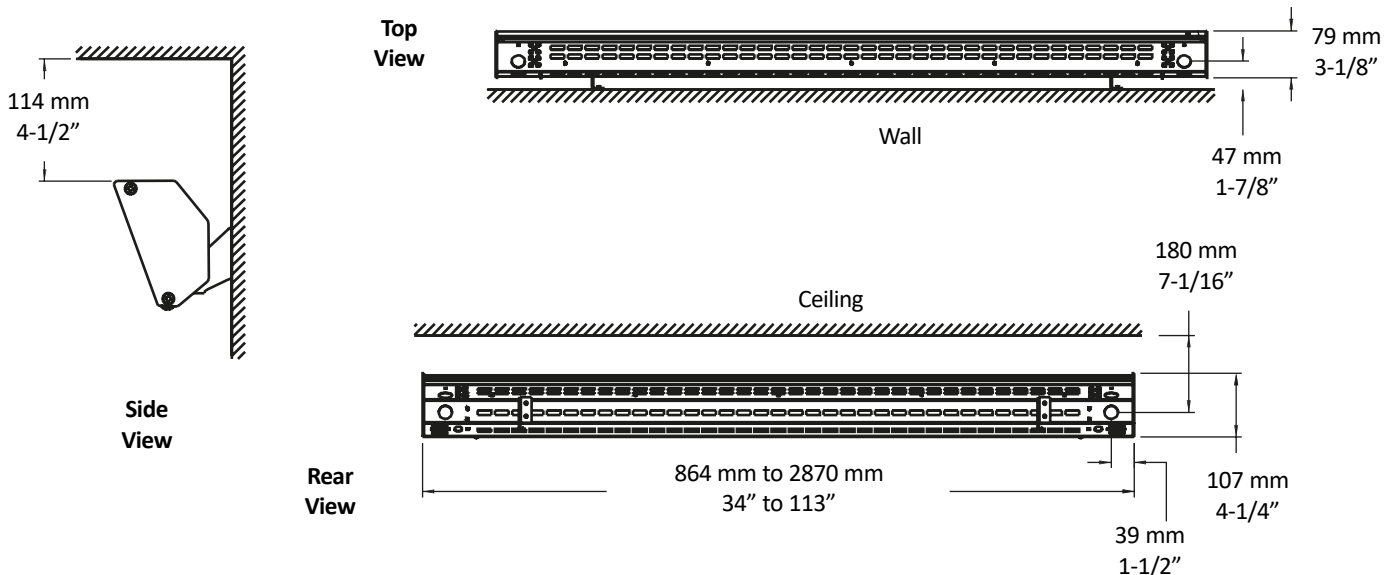
Housing – Heater has an 18-gauge G-90 galvanized steel frame. Front panel shall be extruded heavy gauge aluminum.

Front Panel – Heater shall be provided with a silichem off-white, matt black, or anodized aluminum finish chosen for radiant heating applications. Additional colors are available to blend in with the decor.

Electrical – Junction boxes with 4" (102mm) ground wires are provided on both ends. Two 7/8" (22mm) knockouts are provided on the back of the heater for ease of wiring. A wireway is provided that is approved for interconnection of units for wall-to-wall applications.

Installation Requirements – Minimum clearances: 6' (1.83m) from the floor; and 4-1/2" (114mm) from ceiling. A variety of accessories are available for wall-to-wall installations.

Remote Room Thermostat – See page 41.



918 SERIES Cove Heater

Cove Heater Listing

Watts	Volts (1 Phase)	Amps	Length In. (mm)	Weight lb (kg)	Catalog Number
450	120	3.7	34 (864)	6 (2.7)	BH-918U00450B
	208	2.2	34 (864)	6 (2.7)	BH-918U00450C
	240	1.9	34 (864)	6 (2.7)	BH-918U00450J
	277	1.6	34 (864)	6 (2.7)	BH-918U00450N
600	120	5	47 (1194)	8 (3.6)	BH-918U00600B
	208	2.9	47 (1194)	8 (3.6)	BH-918U00600C
	240	2.5	47 (1194)	8 (3.6)	BH-918U00600J
	277	2.2	47 (1194)	8 (3.6)	BH-918U00600N
750	120	6.2	59 (1499)	10 (4.5)	BH-918U00750B
	208	3.6	59 (1499)	10 (4.5)	BH-918U00750C
	240	3.1	59 (1499)	10 (4.5)	BH-918U00750J
	277	2.7	59 (1499)	10 (4.5)	BH-918U00750N
900	120	7.5	71 (1803)	12 (5.4)	BH-918U00900B
	208	1.3	71 (1803)	12 (5.4)	BH-918U00900C
	240	3.7	71 (1803)	12 (5.4)	BH-918U00900J
	277	3.2	71 (1803)	12 (5.4)	BH-918U00900N
1050	120	8.8	83 (2108)	13 (5.9)	BH-918U01050B
	208	5	83 (2108)	13 (5.9)	BH-918U01050C
	240	4.4	83 (2108)	13 (5.9)	BH-918U01050J
	277	3.8	83 (2108)	13 (5.9)	BH-918U01050N
1200	120	10	94 (2388)	15 (6.8)	BH-918U01200B
	208	5.8	94 (2388)	15 (6.8)	BH-918U01200C
	240	5	94 (2388)	15 (6.8)	BH-918U01200J
	277	4.3	94 (2388)	15 (6.8)	BH-918U01200N
1500	120	12.5	113 (2870)	18 (8.2)	BH-918U01500B
	208	7.2	113 (2870)	18 (8.2)	BH-918U01500C
	240	6.3	113 (2870)	18 (8.2)	BH-918U01500J
	277	5.4	113 (2870)	18 (8.2)	BH-918U01500N

(All models listed are single-phase)

Standard colors - Add BL for silichem off-white, NM for mat black, and AA for anodized aluminum finish at the end of catalog number.

Factory Built-in Options

Code	Description
T5	Adjustable Thermostat, Single-pole, 25 Amp
T6	Adjustable Thermostat, Double-pole with off position, factory installed into an additional 4" section, 25 Amp

Field-Installed Options

(shipped loose for field installation into heater)

Catalog Number	Description
918-276918	Splice plate
918-276919	Adjustable Thermostat Kit, Single-pole
918-276920	Adjustable Thermostat Kit, Double-pole with off position, mounted in a 4" section

† Standard colors - Add BL for silichem off-white, NM for mat black, and AA for anodized aluminum finish at the end of catalog number.

THERMOSTATS

Line Voltage Thermostats

Catalog Number	Switch Type	Color	Type	Tamper-proof	Thermo-meter	Amps @ 120-240V	Amps @ 277V	Pilot Duty	Positive Off	Temperature Range °F
T498A1810	Bimetal	Beige	SPST	No	No	22	19	—	No	40-80
OTL221	Bimetal	White	SPST	No	No	22	19	—	No	41-90
OTL222			DPST					Yes		
TH114-A-240D	Electronic	White	DPST	Yes	Digital	15A @ 208&240	—	—	No	40-86
OTH2750 ⁽¹⁾			Pulse			11.5	—	—		
OTH2750P ^(1,2)						11.5	—	—		
OTH4000 ⁽¹⁾						16.7	—	—		
OTH4000P ^(1,2)						16.7	14.4	—		
OTH5007 ⁽¹⁾						—	14.4	—		
TH106-A-347S4	Electronic	White		Pulse	Yes	Digital	—	16.7	—	No

(1) Do not use these thermostats with heaters that have inductive loads (heaters that have a motor or contactor).

(2) Programmable electronic thermostat.

Low Voltage Thermostats (Requires option R2 or an on/off relay with transformer)

Catalog Number	Switch Type	Color	Type	Tamper-proof	Thermo-meter	Amps @ 120-240V	Amps @ 277V	Pilot Duty	Positive Off	Temperature Range °F
901-1006998	Bimetal	White	SPST	No	No	—	—	30VA at 30V max	Yes	50-90
T822K1018	Bimetal	White	SPST	No	No	—	—	30VA at 30V max	Yes	45-95
901-1007030	2-stage Bimetal	White	2 SPST Switches	No	Yes	—	—	30VA at 30V max	Yes	40-90

Low Voltage Electronic Thermostats (Requires option R2 or an on/off relay with transformer)

Catalog Number	Switch Type	Color	Type	Tamper-proof	Thermo-meter	Amps @ 120-240V	Amps @ 277V	Output Signal	Positive Off	Temperature Range °F
OTH24	Electronic	White	Pulse	Yes	Digital	—	—	24VAC	No	41-97

Line Voltage Thermostats for AS, Cove and Quartzone Heaters

Catalog Number	Switch Type	Color	Type	Tamper-proof	Thermo-meter	Amps @ 120-240V	Amps @ 277V	Output Signal	Positive Off	Temperature Range °F
R-101	Bimetal	White	SPST	No	No	22A @120V-240V & 18A @ 277V	—	—	No	40-85
R-102	Bimetal	White	DPST	No	No	—	22A	—	Yes	40-85
SR-240/120(1)	Electronic	White	DPST	No	Digital	16A@ 120 & 240V	—	—	—	41-95

(1) A 3 inch deep double electrical box will be supplied for wall installation. Remote window sensor option is available.

THERMOSTATS

Controllers and Accessories

Catalog Number	Description	Amps @ 120-240V	Amps @ 277V	Input Signal
RC840	On-Off Relay without transformer 120/208/240/277V	22	18	—
RC840T-240	On-Off Relay with transformer 208/240V	22	—	—
RC840T-120	On-Off Relay with transformer 120V	22	—	—

Accessories

Catalog Number	Description
F29-0143	Clear universal thermostat guard. Protects both line and low voltage thermostats against vandalism, damage, and unauthorized adjustment of thermostat settings. Inside dimensions:6-3/8" (length), 3-1/2" (height), 3" (depth)
F29-0198	Clear universal thermostat guard. Protects both line and low voltage thermostats against vandalism, damage, and unauthorized adjustment of thermostat settings. Inside dimensions:8-1/4" (length), 5-3/8" (height), 3-1/2" (depth)

Thermostat Selection Chart

Page	6	9	12	13	14	16	18	20	24	28	30	32	33	34	38
	933	932	935	940	934	930	942	922	936/937	931	941	938	939	BH-AS	918
901-1006998	X(1)	X(1)						X(1)	X(1)	X(1)					X(4)
901-1007030								X(2)							
OTH24	X(1)	X(1)						X(1)	X(1)	X(1)					X(4)
OTH24-AFR	X(1)	X(1)						X(1)	X(1)	X(1)					X(1)
T498A1810 OTL221 OTL222	X	X	X		X	X		X	X	X	X	X	X		X
T410A1013	X	X	X		X	X		X	X	X	X	X	X		X
OTL102F	X	X	X		X	X		X	X	X	X	X	X		X
T822K1018	X(1)	X(1)						X(1)	X(1)	X(1)					
OTH2750 OTH2750P			X(3)		X(3)	X(3)	X				X(3)	X(3)	X(3)		X
OTH4000 OTH4000P			X(3)		X(3)	X(3)	X				X(3)	X(3)	X(3)		X
OTH5007 TH106-A-347S4							X								X
TH114-A-240D			X		X	X					X	X	X		X
R-101 & R-102														X	X
SR-240/120														X	

(1) Option R2 is required - 24V relay with transformer or relay without transformer (for more than one heater on the same thermostat)

(2) Option N2 is required - 2-Speed Motor w/High-Low Relay 24V

(3) Thermostat has to be set for fan mode

(4) Requires a field installed 24V relay with transformer: RT840T-240 for 208/240V or RC840T-120 for 120V

THERMOSTATS

Line Voltage Thermostats



OTL221
OTL222



T498A1810



OTH 4000P



OTH2750P



OTH2750



OTH4000



OTH5007

Low Voltage Thermostats



T822K1018

Low Voltage Electronic Thermostats



OTH24
OTH24 - ARF

Line Voltage Thermostats for AS, Cove and Quartzone Heaters



Controllers and Accessories



RT850
RT850T-240
RT850-277



RC840
RC840T-120
RC840T-240
RC840T-277

Accessories

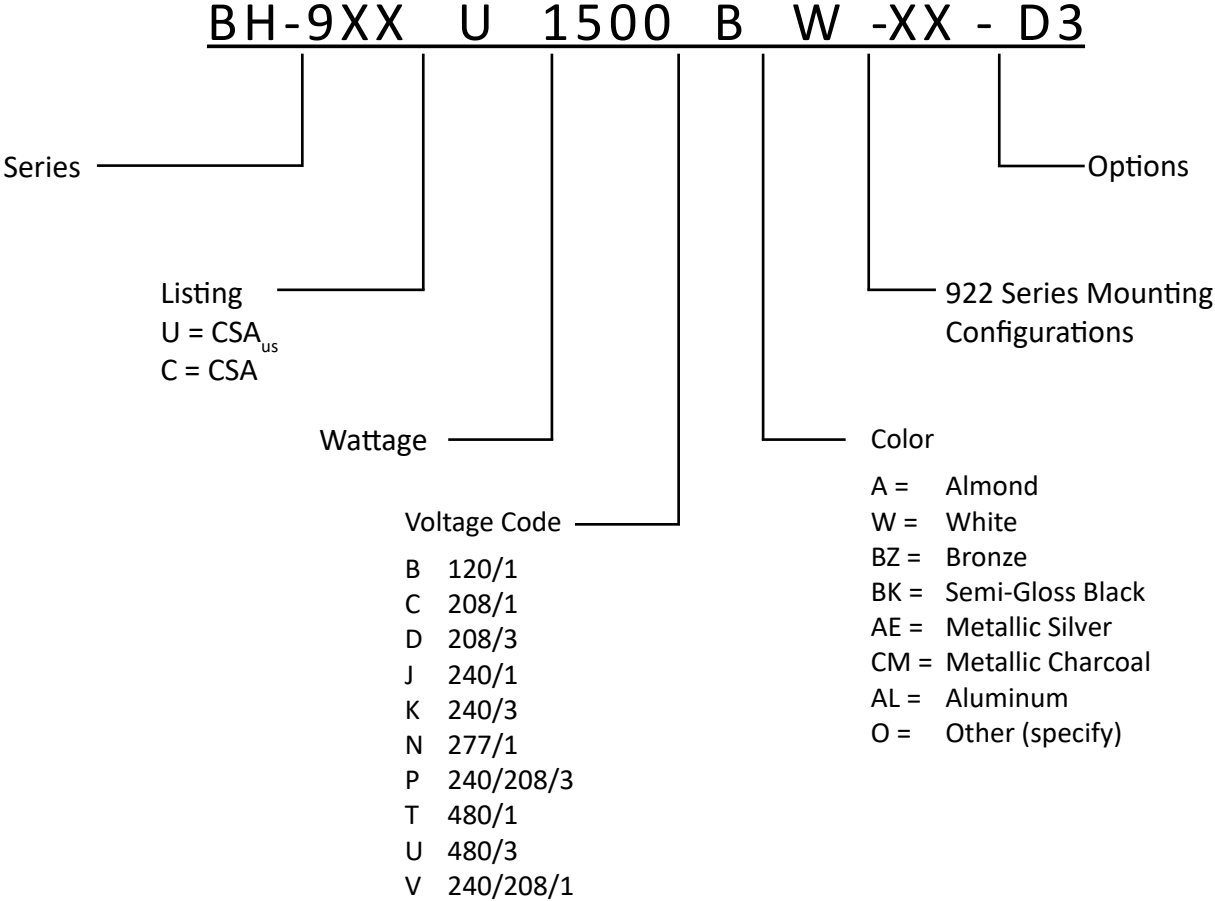


F29-0143



F29-0198

HOW TO ORDER



LIMITED WARRANTY

Industrial Engineering and Equipment Company (Brasch) new products are warranted against defects in workmanship, material, design, labeling and packaging. No other warranty, expressed or implied, written or oral, applies. No person other than an officer or the general manager of Brasch is authorized to give any other warranty or assume any liability.

WARRANTY PERIOD

This warranty is effective for eighteen months from the date of shipment of the product from Brasch's factory, or for twelve months from the date the product is first placed into service, whichever period lapses first.

CONDITIONS OF WARRANTY

Brasch products must be installed, operated, and maintained in accordance with Brasch's instructions. Brasch is not liable for damage or unsatisfactory performance of the product resulting from accident, negligence, alteration, unauthorized repair, improper application or installation of the product, improper specifications, or corrosion. Brasch IS NOT LIABLE FOR ANY INCIDENTAL OR CONSEQUENTIAL DAMAGES. Claims against carriers for damage in transit must be filed by the purchaser with the carrier.

REMEDY

Contact Brasch at 1-888-731-7010, for a Return Material Authorization Number (RMA#) and return instructions. If after receipt of the product and the claim, Brasch finds to its reasonable satisfaction that the product is defective in workmanship, material, design, labeling or packaging, the product will be repaired or replaced, or the purchase price refunded at Brasch's option. There will be no charge to the purchaser for parts or labor. Removal and reinstallation of the product, and shipment of the product to Brasch for repair or inspection, shall be at the purchaser's risk and expense.

THE REPAIR, REPLACEMENT, OR REFUND PROVIDED FOR IN THIS LIMITED WARRANTY IS THE EXCLUSIVE REMEDY OF THE PURCHASER. THIS WARRANTY IS EXPRESSLY IN LIEU OF ANY OTHER, INCLUDING ANY WARRANTY OF MERCHANTABILITY OR FITNESS FOR A PARTICULAR PURPOSE. THERE ARE NO WARRANTIES WHICH EXTEND BEYOND THE TERMS OF THIS LIMITED WARRANTY.

OTHER PRODUCT CATALOGS

EXPLOSION-PROOF AND FAN-FORCED ELECTRIC UNIT HEATERS

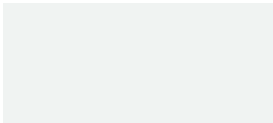


BASEBOARD & CONVECTOR HEATERS



COLOR SELECTION CHART

Standard Colors 900 Series



White
(W)



Almond
(A)

Refer to catalog listings for standard and special color availability. Use color codes in parentheses when specifying and ordering. Custom colors are also available on 900 Series. Special and Optional Colors subject to setup charges. Colors represented are approximate.

Special Colors 900 Series



Metallic Silver
(AE)



Metallic Charcoal
(CM)



Bronze
(BZ)




Aluminum
(AL)



Semi-Gloss Black
(BK)

We have the experience and expertise to provide you with the personalized support to arrive at customized solutions.

Email sales@Braschmfg.com
or call 1-888-731-7010
to find your nearest
Brasch representative.



Quality Products
produced by great
people.