

BRASCH

425 Hanley Industrial Court, St. Louis, MO, 63144
Phone: 1 888 731-7010
www.braschmfg.com

INSTRUCTIONS BH-939 Series



WARNING



When using electrical appliances, basic precautions should always be taken to reduce the risk of fire, electrical shock and injury, including the following.

Read carefully these instructions before installation, operation of the heater. Failure to adhere to the instructions could result in fire, electric shock, serious personal injury, and death or property damage. Review frequently for continuing safe operation and instruction of future users, if necessary.

IMPORTANT INSTRUCTIONS

- 1- Read all instructions before installing or using this heater.
- 2- This heater is hot when in use. To avoid burns, do not let bare skin touch hot surfaces. Keep combustible materials, like furniture, pillows, bedding, papers, clothes, and curtains at least 36 in. (915 mm) from the grille of the heater.
- 3- Extreme caution is necessary when any heater is used by or near children or invalids and whenever the heater is left operating and unattended.
- 4- Do not operate any heater after it malfunctions. Disconnect power at service panel and have heater inspected by a reputable electrician before reusing.
- 5- Do not use outdoors.
- 6- To disconnect heater, turn off power to heater circuit at main disconnect panel.
- 7- Do not insert or allow foreign objects to enter any ventilation or exhaust opening as this may cause an electric shock or fire, or damage the heater.
- 8- To prevent a possible fire, do not block air intakes or exhaust in any way whatsoever.
- 9- This heater has hot and arcing or sparking parts inside. Do not use it in areas where gasoline, paint, or flammable vapors or liquids are used or stored.
- 10- Use this heater only as described in this manual. Any other use not recommended by the manufacturer may cause fire, electric shock, or injury to persons.
- 11- The thermostat should not be considered an infallible device in cases where maintaining a temperature is considered critical. Examples: Hazardous material storage, computer server room, etc. In these particular cases, it is imperative to add a monitoring system to avoid the consequences of a thermostat failure.

SAVE THESE INSTRUCTIONS

INSTALLATION INSTRUCTIONS

CAUTION

- High temperature, risk of fire, keep electrical cords, drapery, furnishings, and other combustibles at least 36 in. (915 mm) from the grille of the heater. To reduce the risk of fire, do not store or use gasoline or other flammable vapors and liquids in the vicinity of the heater.
- Never install air outlet less than 6 in. (153 mm) from a wall or a window.
- Heater is not to be installed in an area where it will be obstructed by an open door or objects such as curtains, drapes, towels or furniture.
- Disconnect all power supplies before working on any circuit.
- Put all covers back on heater before testing.

INSTALLATION

- 1- Heater should be installed recess in the floor.
- 2- Dissassemble unit by removing the main grille, safety grilles and heater.
- 3- Provide an opening of 14 3/8 in. X 7 7/16 in. (365 mm X 188 mm) with 8 in. (204 mm) deep.
- 4- Remove the appropriate knockout from the recess box for the electrical supply.
- 5- Secure the recess box with the supplied screws. Make sure that the flaps are over the floor covering.
- 6- Remove the connection box cover.
- 7- Pull through about 8 in. (204 mm) of supply wire.
- 8- Connect the heater leads to the supply leads according to local and national codes. Refer to the wiring diagram.
- 9- Install connection box cover.
- 10- Install the heater in the recess box.
- 11- Install safety grilles.
- 12- Install main grille with the supplied screws. Ensure fan blades are free to rotate and the heater assembly is free of any foreign objects.
- 13- To test the heater, temporarily set the thermostat at maximum temperature.

OPERATING INSTRUCTIONS

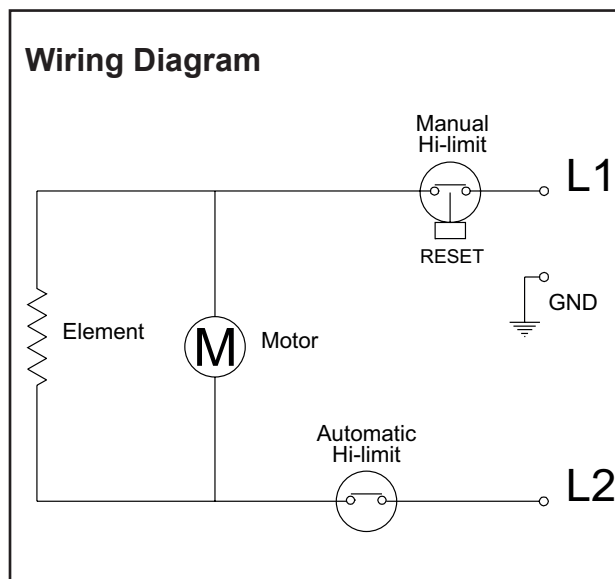
- 1- The heater must be properly installed before it is used.
- 2- Turn the power on at the circuit breaker panel.
- 3- Electronic thermostat: be sure to set it on the FAN mode.

MANUAL HI-LIMIT

This heater includes a manual hi-limit that turns the heater out of service if an internal component is excessively hot. When this situation occurs, immediately turn the heater off and inspect for any objects on or adjacent to the heater that may have blocked the airflow or otherwise caused high temperatures to have occurred. If no obstruction is visible, the heater must be checked by a qualified person.

How to reset the manual hi-limit:

- Disconnect the power supply of the heater.
- Unscrew and remove the main grille.
- Remove the safety grilles.
- Insert a pointed object in the reset hole (see drawing).
- Push firmly until you hear a click.
- Install the safety grilles.
- Install the main grill with the screws.
- Turn the power back on.



MAINTENANCE INSTRUCTIONS

- 1- Once a year, remove the dust accumulation inside the heater.
- 2- Cleaning should be done while the heater is disconnected from the main service panel. Wait until the housing and heating element cool before performing maintenance.
- 3- Any other servicing should be performed by a qualified technician.
- 4- Factory-lubricated motor. No lubrication required.

