

# Brasch Manufacturing Company

## INSTALLATION INSTRUCTIONS ARCHITECTURAL DRAFT BARRIER SERIES RDBT WITH PEDESTALS

### GENERAL:

BRASCH ARCHITECTURAL DRAFT BARRIER HEATERS, SERIES RDBT ARE DESIGNED TO BE MOUNTED INDIVIDUALLY. EACH HEATER IS FACTORY PRE-WIRED, READY FOR BRANCH CIRCUIT CONNECTION. RDBT HEATERS ARE CONSTRUCTED OF 12 GAUGE ALUMINUM AND ARE EQUIPPED WITH AN ALUMINUM FINNED HEATING ELEMENT, AUTOMATIC RESET THERMAL CUT-OUTS AND ARE AVAILABLE WITH OPTIONAL RELAYS, DISCONNECT SWITCH, AND TRANSFORMER RELAYS. INTEGRAL THERMOSTAT AND DISCONNECT SWITCH ARE ALSO AVAILABLE AS ACCESSORIES.

### RECEIVING:

1. MAKE SURE THAT THE NUMBER OF CARTONS AGREE WITH THE BILL OF LADING, PACKING LIST AND ORIGINAL ORDER.
2. MATERIAL WAS SHIPPED IN GOOD ORDER AND AMERICAN STABILIS INC. HOLDS CLEAR BILL OF LADING, THEREFORE ANY CONCEALED DAMAGE MUST BE REPORTED AT ONCE TO THE CARRIER FOR INSPECTION AND SETTLEMENT.

### ROUGH-IN WIRING:

1. RUN BRANCH CIRCUIT OF PROPER VOLTAGE AND WIRE SIZE TO LOCATION OF THE TERMINAL BOX OF THE HEATER. TABLE BELOW PROVIDES CORRECT WIRE SIZE FOR WIRE ENTRY.

TABLE 1.

	ROUGH IN	MAXIMUM WATTS PER CIRCUIT USING 75°C WIRE			
	WIRE SIZE	120V	208V	240V	277V
COPPER WIRE	14	1440	2496	2880	3324
	12	1920	3328	3840	4432
	10	2880	4992	5760	6648
ALUMINUM WIRE	12	1440	2496	2880	3324
	10	2400	4160	4800	5540

2. WIRE ENTRY INTO A DRAFT BARRIER INSTALLATION IS COMMONLY MADE INTO ONE DRAFT BARRIER HEATER. THROUGH WIRING (FACTORY FURNISHED) IS USED FOR CONNECTION TO ADJACENT HEATERS.
3.  $\frac{1}{2}$  &  $\frac{3}{4}$  KNOCKOUTS ARE LOCATED AT EACH END OF THE HEATER BACK PANEL FOR WIRE ENTRY. A KNOCKOUT IS ALSO LOCATED ON EACH SIDE OF THE JUNCTION BOX.
4. ALL WIRING AND ELECTRICAL GROUNDING OF THE HEATER BACK PANEL TO BE IN ACCORDANCE WITH NATIONAL ELECTRICAL CODE AND APPLICABLE LOCAL CODES. A GROUNDING TERMINAL IN THE HEATER SPLICE COMPARTMENT IS PROVIDED FOR THIS PURPOSE.

### TO INSTALL RDBT HEATERS:

1. SERIES RDBT ARE STANDARD WITH PEDESTALS FOR FLOOR MOUNTING, POWER IS NORMALLY FED THRU PEDESTAL FOOT INTO JUNCTION BOX. SEE DIMENSIONAL PAGE FOR PEDESTAL MOUNTING HOLE SPACING. SERIES RDBT MUST BE MOUNTED A MINIMUM OF 2" FROM FINISHED FLOOR. END CAPS MAY BE REMOVED BY LOOSENING SCREWS. FRONT COVERS MAY BE SNAPPED OFF OR MAY SLIDE TO SIDE FOR ACCESS TO JUNCTION BOX.
2. WHEN MULTIPLE HEATERS ARE TO BE WIRED TOGETHER, REMOVE TERMINAL BOX END KNOCKOUTS.
3. MOUNT THE BACK PANEL TO THE WALL USING SUITABLE FASTENERS (BY INSTALLER).
4. WHEN HEATER SECTIONS ARE MOUNTED END TO END, INSTALL A CHASE NIPPLE AND LOCKNUT IN THE TERMINAL BOX END KNOCKOUTS TO INSURE GROUNDING CONTINUITY AND TO PROTECT THE WIRING. WHERE HEATER SECTIONS ARE SPACED APART, RIGID CONDUIT (BY INSTALLER) SHOULD BE USED TO ENCLOSE THE WIRE AND INSURE GROUNDING CONTINUITY. USE RIGID CONDUIT (BY INSTALLER) WHEN WIRING THROUGH CORNER SECTIONS TO ENCLOSE WIRE AND INSURE GROUNDING CONTINUITY. NORMALLY WIRING TO ADJACENT HEATERS WILL BE ROUTED THRU PEDESTALS. NO KNOCKOUTS ARE PROVIDED IN RDBT END CAPS FOR APPEARANCE PURPOSES.

### NOTICE:

"TO REDUCE THE RISK OF FIRE, DO NOT USE GASOLINE OR OTHER FLAMMABLE VAPORS AND LIQUIDS IN THE VICINITY OF THE HEATER"

**NOTICE:**

TO ENSURE A PROPER INSTALLATION, MAKE SURE THAT ALL PIECES ARE SECURELY SNAP FITTED. FOR EASE OF INSTALLATION, SNAP BOTTOM OF FRONT COVER FIRST, AND THEN SNAP TOP PART OF THE FRONT COVER TO THE BACK PLATE. DO NOT OPERATE HEATER UNLESS FRONT COVER IS IN PLACE.

**CAUTION: HIGH TEMPERATURES**

KEEP ELECTRICAL CORDS, FURNITURE, DRAPERIES OR ANY OTHER BLOCKING MATERIAL AWAY FROM HEATER. DO NOT INSTALL HEATERS AGAINST PAPERBOARD OR LOW DENSITY FIBERBOARD SURFACES. DO NOT PLACE HEATER BELOW ELECTRICAL CONVENIENCE RECEPTACLE.

**NOTICE:**

WHEN USING EITHER 1/2" OR 3/4" EMT FOR FIELD WIRING, DO NOT EXCEED ALLOWABLE NUMBERS OF CONDUCTORS ACCORDING TO THE NATIONAL ELECTRIC CODE.

**CONTROLS:**

DESCRIPTION: SINGLE POLE  
 CATALOG NO.: RDBT-ITS  
 RATED 25 AMPS AT 120-277. 50-90°F  
 TEMPERATURE RANGE. TAMPERPROOF  
 AND ADJUSTABLE THRU DISCHARGE  
 LOUVER.

DESCRIPTION: DISCONNECT SWITCH  
 CATALOG NO.: RDBT-IDS  
 DOUBLE POLE RATED 20 AMPS AT  
 120-277V.

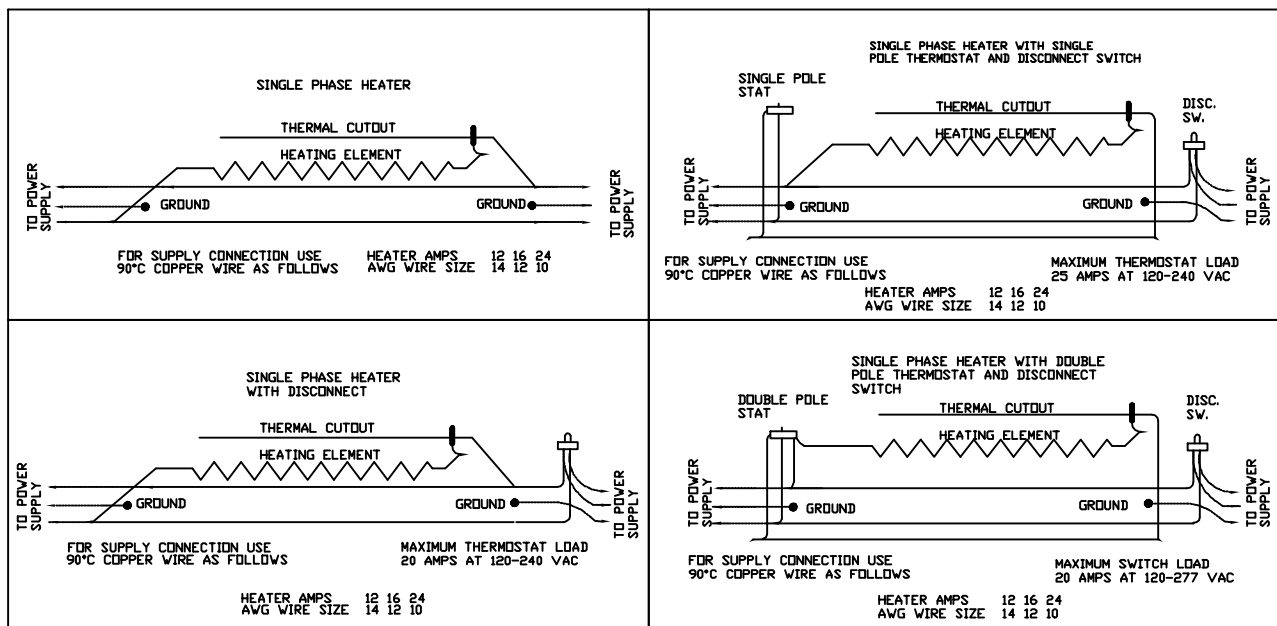
WHEN HEATERS ARE FURNISHED WITH  
 CONTROLS, MAKE CERTAIN THAT THE  
 HEATER OR HEATERS DO NOT EXCEED  
 THE LOWEST AMPERAGE RATING OF  
 THE CONTROLS FURNISHED. FOR  
 EXAMPLE, IF A THERMOSTAT AND  
 DISCONNECT ARE FURNISHED, THE  
 THERMOSTAT IS RATED AT 25 AMPS  
 AT 240 AND 277. THE DISCONNECT IS  
 RATED 20 AMPS, 240 AND 277. THE  
 COMBINATION OF HEATERS SHOULD  
 NOT EXCEED 20 AMPS AT 240 OR 277.

DESCRIPTION: DOUBLE POLE THERMOSTAT  
 CATALOG NO.: RDBT-ITD  
 RATED 25 AMPS AT 120-277. 50-90°F  
 TEMPERATURE RANGE. TAMPERPROOF  
 AND ADJUSTABLE THRU DISCHARGE  
 LOUVER.

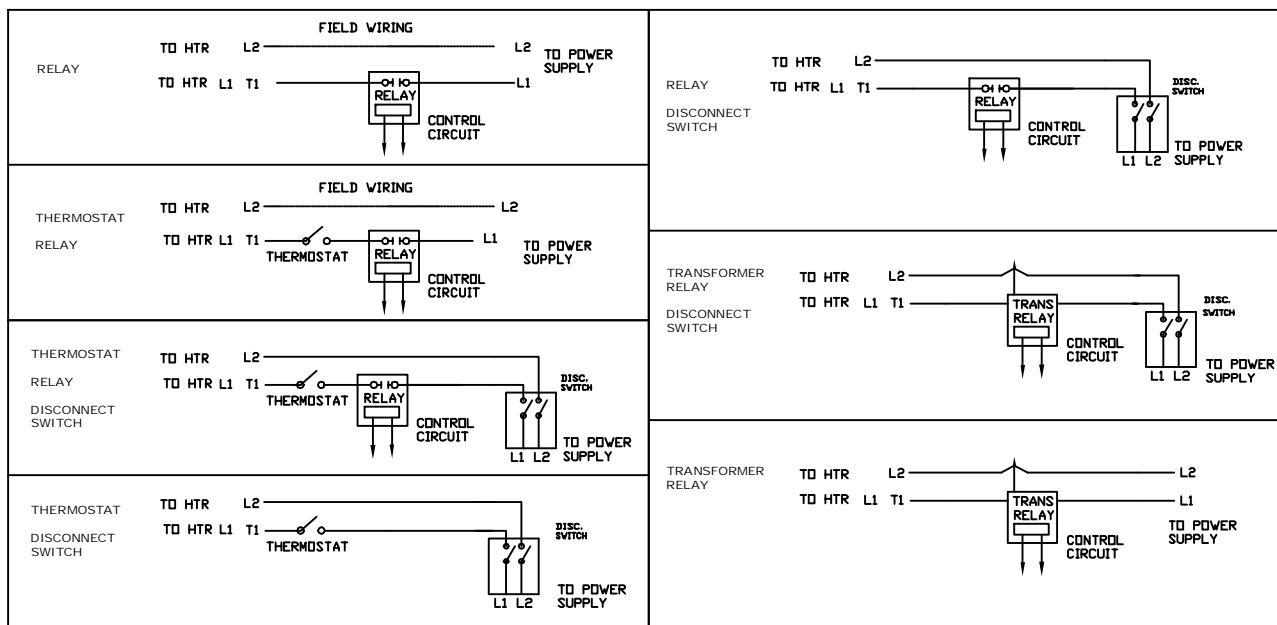
**FIELD WIRING WITH INTEGRAL CONTROLS**

- INTEGRAL THERMOSTATS: WIRE ENTRY FROM EITHER END.
- DISCONNECT SWITCH: RIGHT HAND ENTRY.
- RELAYS: RIGHT HAND ENTRY-CONTROL SECTION
- THERMOSTAT, DISCONNECT AND RELAY: RIGHT HAND ENTRY-CONTROL SECTION.

## WIRING DIAGRAMS

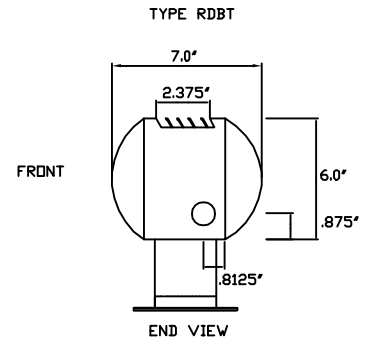
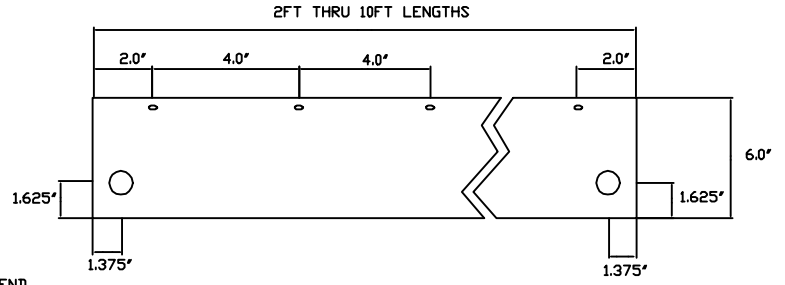
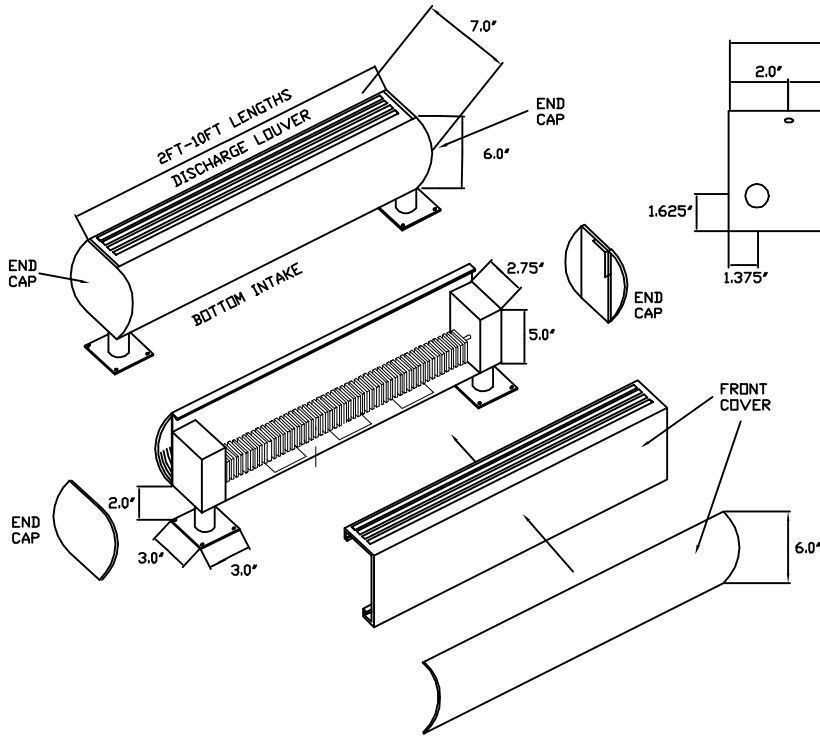


## WIRING DIAGRAMS-CONTROL SECTION

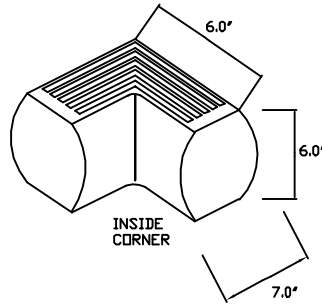
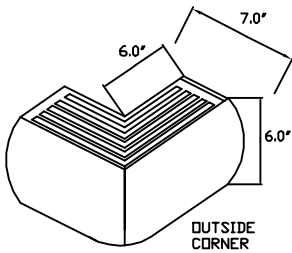


# INSTALLATION

# KNOCKOUTS AND MOUNTING HOLES TYPES RDBT



# ACCESSORIES



ARCHITECTURAL PEDESTAL HEATERS  
SERIES RDBT  
100-300 WATTS PER FOOT

