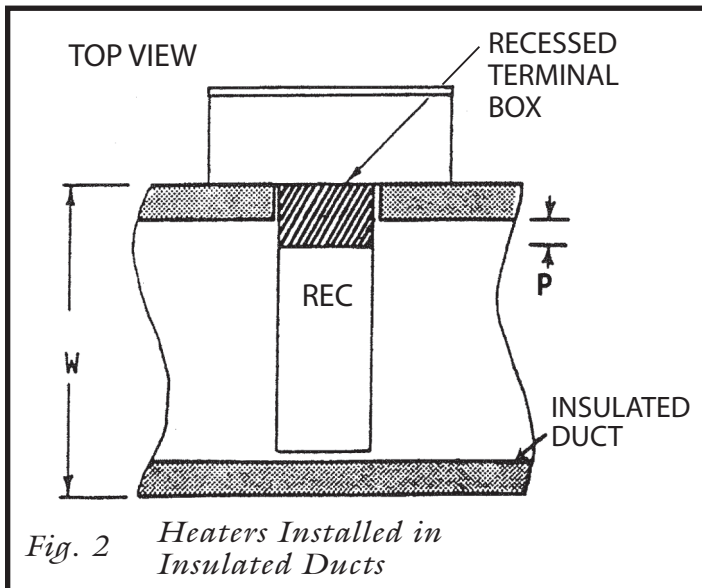
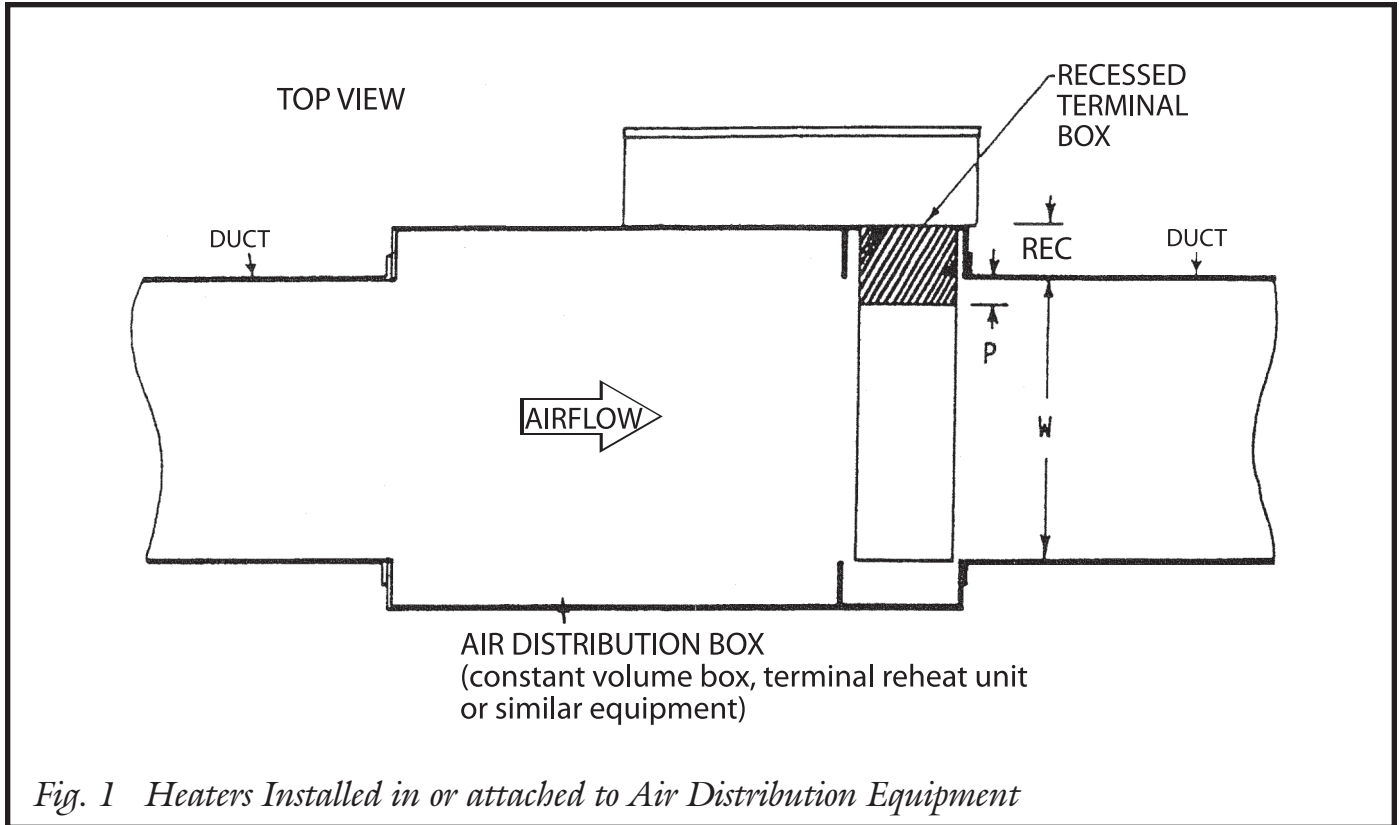


Supplementary Installation Instructions for heaters with recessed terminal box.



These heaters are installed with sheet metal screws as illustrated in Bulletin I-17, Figure 2, except that particular care must be taken to assure that open face area of heater is in the airstream as shown above.

The recessed terminal box cannot extend into the airstream any more than 1/10 of W. (P=10W max.)