

TABLE 1: SPECIFICATIONS

| TAG NUMBER | QTY. | MODEL NO.† BTU-- | ELECTRICAL (60Hz) | | | | | | | | AIRFLOW | | | | | STANDARD BUILT-IN CONTROL FEATURES | | | | RECOMMENDED MOUNTING HEIGHT | | SHIPPING WEIGHT | | RECOMMENDED FIELD SUPPLY WIRES †††† | |
|------------|------|------------------|-------------------|------|-------|-------|---------|-------|-------|-------|----------------|--------------|----------------|-------------|-------------|------------------------------------|------------|-------------|---------------|-----------------------------|--------------------------|-----------------|------|-------------------------------------|----|
| | | | HEATER | | | | MOTOR†† | | | | FAN DIA. (IN.) | CFM @ 70' F. | OUTLET VEL FPM | TEMP RISE † | THROW (FT.) | NEC FUSES | CONTACTORS | TRANSFORMER | CONTROL VOLTS | HORIZONTAL DISCHARGE (FT.) | VERTICAL DISCHARGE (FT.) | LBS | KGMS | COPPER AWG/MCM | |
| | | | KW | BTUH | VOLTS | PHASE | AMPS | STEPS | VOLTS | PHASE | | | | | | | | | | | | | | | HP |
| 2.5-2081 | 2.5 | 8550 | 208 | 1 | 12 | 1 | 208 | 1 | 1/20 | 0.9 | 12 | 350 | 425 | 23 | 13 | 0 | 0 | NO | 208 | 7.5 | 9 | 54 | 24 | 2-#12 | |
| 2.5-2401 | 2.5 | 8550 | 240 | 1 | 10 | 1 | 240 | 1 | 1/20 | 1.1 | 12 | 350 | 425 | 23 | 13 | 0 | 0 | NO | 240 | 7.5 | 9 | 54 | 24 | 2-#14 | |
| 2.5-2771 | 2.5 | 8550 | 277 | 1 | 8 | 1 | 277 | 1 | 1/20 | 0.8 | 12 | 350 | 425 | 23 | 13 | 0 | 0 | NO | 277 | 7.5 | 9 | 54 | 24 | 2-#14 | |
| 5-2081 | 5 | 17100 | 208 | 1 | 24 | 1 | 208 | 1 | 1/20 | .90 | 12 | 500 | 625 | 32 | 18 | 0 | 0 | NO | 208 | 8 | 10 | 54 | 24 | 2-#10 | |
| 5-2401 | 5 | 17100 | 240 | 1 | 21 | 1 | 240 | 1 | 1/20 | 1.10 | 12 | 500 | 625 | 32 | 18 | 0 | 0 | NO | 240 | 8 | 10 | 54 | 24 | 2-#10 | |
| 5-2771 | 5 | 17100 | 277 | 1 | 18 | 1 | 277 | 1 | 1/20 | .90 | 12 | 500 | 625 | 32 | 18 | 0 | 0 | NO | 277 | 8 | 10 | 54 | 24 | 2-#10 | |
| 7.5-2081 | 7.5 | 25650 | 208 | 1 | 36 | 1 | 208 | 1 | 1/20 | .90 | 12 | 750 | 935 | 32 | 22 | 0 | 1 | NO | 208 | 9 | 13 | 55 | 25 | 2-# 6 | |
| 7.5-2401 | 7.5 | 25650 | 240 | 1 | 31 | 1 | 240 | 1 | 1/20 | 1.10 | 12 | 750 | 935 | 32 | 22 | 0 | 1 | NO | 240 | 9 | 13 | 55 | 25 | 2-# 6 | |
| 7.5-2771 | 7.5 | 25650 | 277 | 1 | 27 | 1 | 277 | 1 | 1/20 | .90 | 12 | 750 | 935 | 32 | 22 | 0 | 1 | NO | 277 | 9 | 13 | 55 | 25 | 2-# 6 | |
| 10-2081 | 10 | 34200 | 208 | 1 | 48 | 1 | 208 | 1 | 1/10 | 1.6 | 12 | 870 | 1090 | 36 | 26 | 0 | 1 | NO | 208 | 10 | 14 | 60 | 27 | 2-# 6 | |
| 10-2401 | 10 | 34200 | 240 | 1 | 42 | 1 | 240 | 1 | 1/10 | 1.6 | 12 | 870 | 1090 | 36 | 26 | 0 | 1 | NO | 240 | 10 | 14 | 60 | 27 | 2-# 6 | |
| 5-2083 | 5 | 17100 | 208 | 3 | 14 | 1 | 208 | 1 | 1/20 | .90 | 12 | 500 | 625 | 32 | 18 | 0 | 1 | NO | 208 | 8 | 10 | 55 | 25 | 3-#12 | |
| 5-2403 | 5 | 17100 | 240 | 3 | 12 | 1 | 240 | 1 | 1/20 | 1.10 | 12 | 500 | 625 | 32 | 18 | 0 | 1 | NO | 240 | 8 | 10 | 55 | 25 | 3-#12 | |
| 5-4803 | 5 | 17100 | 480 | 3 | 6 | 1 | 480 | 1 | 1/20 | .41 | 12 | 500 | 625 | 32 | 18 | 0 | 1 | YES | 24 | 8 | 10 | 57 | 26 | 3-#14 | |
| 5-6003* | 5 | 17100 | 600 | 3 | 5 | 1 | 240 | 1 | 1/20 | 1.10 | 12 | 500 | 625 | 32 | 18 | 0 | 1 | YES | 240 | 8 | 10 | 71 | 32 | 3-#14 | |
| 7.5-2083 | 7.5 | 25650 | 208 | 3 | 21 | 1 | 208 | 1 | 1/20 | .90 | 12 | 750 | 935 | 32 | 22 | 0 | 1 | NO | 208 | 9 | 13 | 55 | 25 | 3-#10 | |
| 7.5-2403 | 7.5 | 25650 | 240 | 3 | 18 | 1 | 240 | 1 | 1/20 | 1.10 | 12 | 750 | 935 | 32 | 22 | 0 | 1 | NO | 240 | 9 | 13 | 55 | 25 | 3-#10 | |
| 7.5-4803 | 7.5 | 25650 | 480 | 3 | 9 | 1 | 480 | 1 | 1/20 | .41 | 12 | 750 | 935 | 32 | 22 | 0 | 1 | YES | 24 | 9 | 13 | 57 | 26 | 3-#14 | |
| 7.5-6003* | 7.5 | 25650 | 600 | 3 | 7 | 1 | 240 | 1 | 1/20 | 1.10 | 12 | 750 | 935 | 32 | 22 | 0 | 1 | YES | 240 | 9 | 13 | 71 | 32 | 3-#14 | |
| 10-2083 | 10 | 34200 | 208 | 3 | 28 | 1 | 208 | 1 | 1/10 | 1.6 | 12 | 870 | 1090 | 36 | 26 | 0 | 1 | NO | 208 | 10 | 14 | 60 | 27 | 3-# 8 | |
| 10-2403 | 10 | 34200 | 240 | 3 | 24 | 1 | 240 | 1 | 1/10 | 1.6 | 12 | 870 | 1090 | 36 | 26 | 0 | 1 | NO | 240 | 10 | 14 | 60 | 27 | 3-# 8 | |
| 10-4803 | 10 | 34200 | 480 | 3 | 12 | 1 | 480 | 1 | 1/10 | .71 | 12 | 870 | 1090 | 36 | 26 | 0 | 1 | YES | 24 | 10 | 14 | 72 | 32 | 3-#12 | |
| 10-6003* | 10 | 34200 | 600 | 3 | 10 | 1 | 240 | 1 | 1/10 | 1.6 | 12 | 870 | 1090 | 36 | 26 | 0 | 1 | YES | 240 | 10 | 14 | 79 | 36 | 3-#14 | |
| 12.5-2083 | 12.5 | 42750 | 208 | 3 | 35 | 1 | 208 | 1 | 1/10 | 1.6 | 12 | 870 | 1110 | 46 | 26 | 0 | 1 | NO | 208 | 10 | 14 | 65 | 29 | 3-# 6 | |
| 12.5-2403 | 12.5 | 42750 | 240 | 3 | 30 | 1 | 240 | 1 | 1/10 | 1.6 | 12 | 870 | 1110 | 46 | 26 | 0 | 1 | NO | 240 | 10 | 14 | 65 | 29 | 3-# 8 | |
| 12.5-4803 | 12.5 | 42750 | 480 | 3 | 15 | 1 | 480 | 1 | 1/10 | .71 | 12 | 870 | 1110 | 46 | 26 | 0 | 1 | YES | 24 | 10 | 14 | 72 | 32 | 3-#12 | |
| 12.5-6003* | 12.5 | 42750 | 600 | 3 | 12 | 1 | 240 | 1 | 1/10 | 1.6 | 12 | 870 | 1110 | 46 | 26 | 0 | 1 | YES | 240 | 10 | 14 | 69 | 31 | 3-#14 | |
| 15-2083 | 15 | 51300 | 208 | 3 | 42 | 1 | 208 | 1 | 1/4 | 1.78 | 12 | 1250 | 1575 | 38 | 33 | 0 | 1 | NO | 208 | 11 | 21 | 61 | 28 | 3-# 6 | |
| 15-2403 | 15 | 51300 | 240 | 3 | 36 | 1 | 240 | 1 | 1/4 | 2.04 | 12 | 1250 | 1575 | 38 | 33 | 0 | 1 | NO | 240 | 11 | 21 | 61 | 28 | 3-# 6 | |
| 15-4803 | 15 | 51300 | 480 | 3 | 18 | 1 | 480 | 1 | 1/4 | 1.78 | 12 | 1250 | 1575 | 38 | 33 | 0 | 1 | YES | 24 | 11 | 21 | 73 | 33 | 3-#10 | |
| 15-6003* | 15 | 51300 | 600 | 3 | 14 | 1 | 240 | 1 | 1/4 | 2.04 | 12 | 1250 | 1575 | 38 | 33 | 0 | 1 | YES | 240 | 11 | 21 | 80 | 36 | 3-#12 | |
| 20-2083 | 20 | 68400 | 208 | 3 | 56 | 2 | 208 | 1 | 1/4 | 1.78 | 12 | 1250 | 1615 | 51 | 33 | 6 | 2 | NO | 208 | 11 | 21 | 64 | 29 | 3-# 3 | |
| 20-2403 | 20 | 68400 | 240 | 3 | 48 | 1 | 240 | 1 | 1/4 | 2.04 | 12 | 1250 | 1615 | 51 | 33 | 0 | 1 | NO | 240 | 11 | 21 | 61 | 28 | 3-# 4 | |
| 20-4803 | 20 | 68400 | 480 | 3 | 24 | 1 | 480 | 1 | 1/4 | 1.78 | 12 | 1250 | 1615 | 51 | 33 | 0 | 1 | YES | 24 | 11 | 21 | 80 | 36 | 3-# 8 | |
| 20-6003* | 20 | 68400 | 600 | 3 | 19 | 1 | 240 | 1 | 1/4 | 2.04 | 12 | 1250 | 1615 | 51 | 33 | 0 | 1 | YES | 240 | 11 | 21 | 87 | 39 | 3-#10 | |
| 25-2083 | 25 | 85500 | 208 | 3 | 69 | 2 | 208 | 1 | 1/4 | 1.78 | 16 | 2500 | 1715 | 32 | 48 | 6 | 2 | NO | 208 | 13 | 26 | 104 | 47 | 3-# 2 | |
| 25-2403 | 25 | 85500 | 240 | 3 | 60 | 2 | 240 | 1 | 1/4 | 2.04 | 16 | 2500 | 1715 | 32 | 48 | 6 | 2 | NO | 240 | 13 | 26 | 104 | 47 | 3-# 3 | |
| 25-4803 | 25 | 85500 | 480 | 3 | 30 | 1 | 480 | 1 | 1/4 | 1.78 | 16 | 2500 | 1715 | 32 | 48 | 0 | 1 | YES | 24 | 13 | 26 | 117 | 53 | 3-# 8 | |
| 25-6003* | 25 | 85500 | 600 | 3 | 24 | 1 | 240 | 1 | 1/4 | 2.04 | 16 | 2500 | 1715 | 32 | 48 | 0 | 1 | YES | 240 | 13 | 26 | 128 | 58 | 3-#10 | |
| 30-2083 | 30 | 102600 | 208 | 3 | 83 | 2 | 208 | 1 | 1/4 | 1.78 | 16 | 2500 | 1735 | 38 | 48 | 6 | 2 | NO | 208 | 13 | 26 | 120 | 55 | 3-# 2 | |
| 30-2403 | 30 | 102600 | 240 | 3 | 72 | 2 | 240 | 1 | 1/4 | 2.04 | 16 | 2500 | 1735 | 38 | 48 | 6 | 2 | NO | 240 | 13 | 26 | 120 | 55 | 3-# 2 | |
| 30-4803 | 30 | 102600 | 480 | 3 | 36 | 1 | 480 | 1 | 1/4 | 1.78 | 16 | 2500 | 1735 | 38 | 48 | 0 | 1 | YES | 24 | 13 | 26 | 133 | 60 | 3-# 6 | |
| 30-6003* | 30 | 102600 | 600 | 3 | 29 | 1 | 240 | 1 | 1/4 | 2.04 | 16 | 2500 | 1735 | 38 | 48 | 0 | 1 | YES | 240 | 13 | 26 | 144 | 65 | 3-# 8 | |
| 40-2083 | 37.5 | 128250 | 208 | 3 | 104 | 2 | 208 | 1 | 1/4 | 1.78 | 16 | 2500 | 1780 | 48 | 48 | 12 | 4 | NO | 208 | 13 | 26 | 122 | 55 | 3-# 0 | |
| 40-2403 | 40 | 136800 | 240 | 3 | 96 | 2 | 240 | 1 | 1/4 | 2.04 | 16 | 2500 | 1790 | 51 | 48 | 6 | 2 | NO | 240 | 13 | 26 | 120 | 55 | 3-# 1 | |
| 40-4803 | 40 | 136800 | 480 | 3 | 48 | 1 | 480 | 1 | 1/4 | 1.78 | 16 | 2500 | 1790 | 51 | 48 | 0 | 1 | YES | 24 | 13 | 26 | 133 | 60 | 3-# 4 | |
| 40-6003* | 40 | 136800 | 600 | 3 | 37 | 1 | 240 | 1 | 1/4 | 2.04 | 16 | 2500 | 1790 | 51 | 48 | 0 | 1 | YES | 240 | 13 | 26 | 144 | 65 | 3-# 6 | |
| 50-2083 | 50 | 171000 | 208 | 3 | 139 | 2 | 208 | 1 | 1/4 | 1.78 | 16 | 2500 | 1800 | 63 | 48 | 12 | 4 | NO | 208 | 13 | 26 | 121 | 58 | 3-#00 | |
| 50-2403 | 50 | 171000 | 240 | 3 | 120 | 2 | 240 | 1 | 1/4 | 2.04 | 16 | 2500 | 1800 | 63 | 48 | 12 | 4 | NO | 240 | 13 | 26 | 122 | 55 | 3-#00 | |
| 50-4803 | 50 | 171000 | 480 | 3 | 60 | 2 | 480 | 1 | 1/4 | 1.78 | 16 | 2500 | 1800 | 63 | 48 | 6 | 2 | YES | 24 | 13 | 26 | 136 | 61 | 3-# 3 | |
| 50-6003* | 50 | 171000 | 600 | 3 | 48 | 2 | 240 | 1 | 1/4 | 2.04 | 16 | 2500 | 1800 | 63 | 48 | 0 | 2 | YES | 240 | 13 | 26 | 142 | 66 | 3-# 4 | |

*SPECIAL ORDER ONLY.
 † All units, except 2.5 KW, are optionally available with 2 steps for energy savings
 †† All motors are 1550 rpm.
 ††† Throw is the distance air moves until its velocity reduces to 50 fpm.
 †††† Based on GOC ratings
 NOTE: Specifications subject to change without notice.

JOB:
 CONTRACTOR:
 ENGINEER:
 DATE:



11880 DORSETT ROAD •
 MARYLAND HEIGHTS, MO 63043
 (314) 291-0440 • FAX (314) 291-0646
 E-MAIL braschmfg@braschmfg.com

TITLE: SERIES BTU
ELECTRIC UNIT HEATER
Submittal Data Sheet

CERTIFIED PRINT NO.

TABLE 2: OPTIONAL TEMPERATURE AND CONTROL KITS

| TAG NUMBER | QTY. | CATALOG NUMBER | MOUNTING | RANGE | DUTY | RATINGS | FEATURES | SHIP WEIGHT POUNDS |
|------------|------|----------------|-------------------|---------|---------------|---------|---|---|
| | | TK-1 | Integral | 40-100F | Line or Pilot | 24-277V | SPST Thermostat Kit for Unit Mounting | 1 |
| | | TK-1FM | Integral | 40-100F | Line or Pilot | 24-277V | Same as TK-1 - Factory Mounted | 1 |
| | | TK-11 | Unit (Rear) | Sum/Win | Pilot | 24-277V | SPDT, Summer Ventilation Override Switch For Unit Mounting | 1 |
| | | TK-11FM | Unit (Rear) | Sum/Win | Pilot | 24-277V | Same as TK-11 - Factory Mounted | 1 |
| | | TK-16 | Integral | 40-100F | Pilot | 24-277V | Edgewood Energy Saver Recirculates Ceiling Air; use with 2 Stage Wall Thermostat | 1 |
| | | TK-16FM | Integral | 40-100F | Pilot | 24-277V | Same as TK-16 - Factory Mounted | 1 |
| | | Suffix 24 | Integral | ----- | Low Volt | 24V | Low Voltage Control converts all 208,240,277.600V Units to 24V control. With contactor if required (add suffix to cat. No.) | 2.5-5 KW 1 Ø 7.5-10KW 1 Ø all 3 Ø |
| | | Suffix 2S | Integral | ----- | Two Stage | ----- | Two step in lieu of single step. (add suffix to the catalog number) | 2.5-5 KW 1 Ø 7.5-10KW 1 Ø all 3 Ø |
| | | Suffix MR | Unit Rear | ----- | ----- | ----- | Manual Reset Cutout in lieu of Automatic (add to cat. No.) | 2.5-5 KW 10-50 KW |
| | | Suffix RC | Wall Remote | ----- | ----- | ----- | Remote Control Panel, Surface mounted, UL Listed, Consult Factory. (add suffix to unit catalog number) | 2.5-20 KW 25-50 KW |
| | | Suffix N-12 | Unit Terminal Box | ----- | ----- | ----- | NEMA-12 Terminal Box Construction | 60 105 |

TABLE 3: AIR DIFFUSERS, SCREENS, AND MOUNTING HARDWARE KITS

| | | | |
|------|--|-----------------------------|----|
| CD-1 | Diffuser Kit, Cone type for vertical discharge | 2.5 - 20 KW | 3 |
| CD-2 | Diffuser Kit, Cone type for vertical discharge | 25 - 50 KW | 4 |
| LD-1 | Diffuser Kit, Four-Way Louvers | 2.5 - 20 KW | 6 |
| LD-2 | Diffuser Kit, Four-Way Louvers | 25 - 50 KW | 8 |
| RD-1 | Diffuser Kit, Radial for vertical discharge | 2.5 - 20 KW | 6 |
| RD-2 | Diffuser Kit, Radial for vertical discharge | 25 - 50 KW | 8 |
| AS-1 | Anti-Bird Screen meets OSHA requirements | Factory mounted 2.5 - 20 KW | 1 |
| AS-2 | Anti-Bird Screen meets OSHA requirements | Factory mounted 25 - 50 KW | 2 |
| WB-1 | Wall Mount Assembly Kit (for horizontal discharge), wall & swivel brackets | | 16 |
| SB-1 | Ceiling mount Swivel Bracket Kit (horizontal discharge) | | 6 |
| TH-1 | Rod Hanger Kit, four, 1/2-13X24 (for horizontal or vertical discharge) | | 7 |

Consult factory for optional features not shown

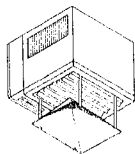


Figure 2: Cone Diffuser (Optional)

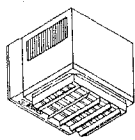


Figure 3: Four-Way Louvers (Optional)

JOB:

CONTRACTOR:

ENGINEER:

DATE:

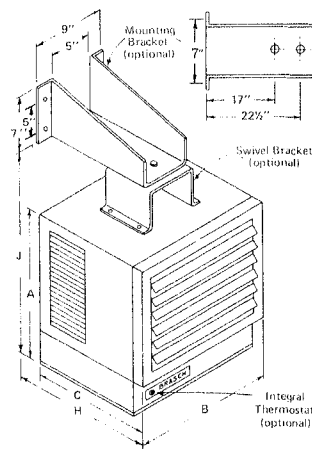
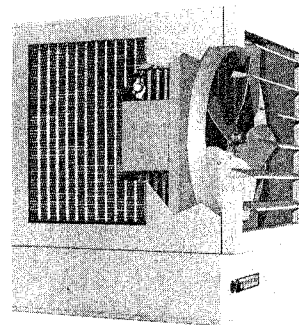


Figure 4: Wall Mounting for Horizontal Discharge

GENERAL DESCRIPTION

1. CABINET — Heavy duty welded steel, neutral grey baked finish.
2. MOUNTING FASTENERS — Recessed, welded top and back, suitable for horizontal or vertical discharge.
3. SUPPLY CONNECTION — single.
4. MOTOR — Ventilated, built-in automatic reset overload protection, 1/4 HP or greater have ball bearings.
5. ELEMENTS — Corrosion protected, plate fin type with element brazed to common fins.
6. AUTOMATIC RESET THERMAL CUTOUT — Protects elements from overheating.
7. SERVICE COMPARTMENT — Hinged door for easy access to components.
8. FAN — Draw-thru design assures even air distribution.
9. LOUVERS — Individually adjustable.
10. THERMOSTAT — Optional; knob adjustment, integral or remote wall mounted.
11. UL LISTED under File No. E61887.
12. FAN DELAY — Recirculates residual heat from ceiling to floor for maximum energy saving. Provided in 5 KW and larger units.

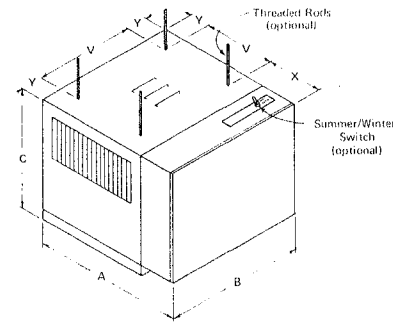


Figure 5: Ceiling Mounting for Vertical Discharge

TABLE 5: UNIT HEATER DIMENSIONS

| KW RANGE | A | B | C | V | Y | X | H | J |
|----------|---------|-----|---------|-----|--------|--------|---------|-----|
| 2.5 - 20 | 22 3/4" | 17" | 15 1/4" | 15" | 1" | 6" | 26 1/4" | 26" |
| 25 - 50 | 27 1/4" | 21" | 22 3/4" | 16" | 2 1/2" | 8 1/2" | 35 1/4" | 31" |

BRASCH
MANUFACTURING COMPANY, INC.

11880 DORSETT ROAD •
MARYLAND HEIGHTS, MO 63043
(314) 291-0440 • FAX (314) 291-0646
E-MAIL braschmfg@braschmfg.com

TITLE: SERIES BTU

ELECTRIC UNIT HEATER
Submittal Data Sheet

CERTIFIED PRINT NO.

Page 2 of 2