



Brasch Ceiling Heaters

BRASCH CEILING Heaters

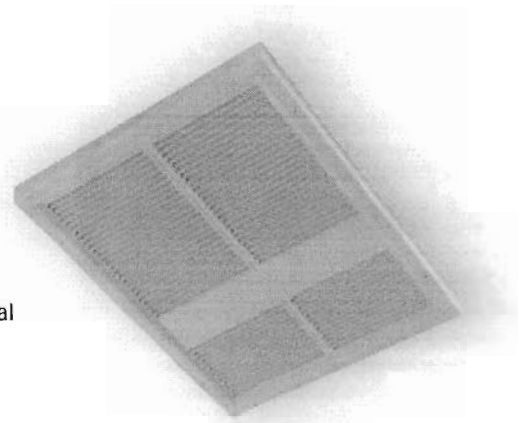
Recess • Surface • T-Bar

Versatile application

Large volume of comfortably warm air is produced by a whisper-quiet heater. Ideal for residential, commercial and industrial locations where wall and floor applications are not feasible.

Quiet Operation

Because of the extremely quiet operation, the BCH may be used in restaurants, nursing homes, schools and lobbies. They draw in large volumes of air and discharge heated air downward into the needed areas. These heaters feature the vane axial fan that has proven to be successful in other products.



Specifications			
Model Number	Watts	Volts	Weight
BCH1512	1500	120	22 lb.
BCH4020	4000	208	22 lb.
BCH4820	4800	208	22 lb.
BCH2024	2000/1500	240/208	22 lb.
BCH3024	3000/2250	240/208	22 lb.
BCH4024	4000/3000	240/208	22 lb.
BCH4824	4800	240	22 lb.
BCH2027	2000	277	22 lb.
BCH3027	3000	277	22 lb.
BCH4027	4000	277	22 lb.
BCH4827	4800	277	22 lb.

Field Installed Accessories		
Model Number	Description	Weight
Box 3310	Rough-in Box Only (for advance installation)	10 lb.
3380 EX33	Surface Mounting Box	1 lb.
TB 3380	T-Bar Mounting Box	7 lb.

Other Standard Features Include:

- Neutral ceiling white, rust resistant finish to blend in with most any ceiling color or decor. Grille is shallow in design to look unobtrusive.
- Automatic fan delay. When thermostat is satisfied, the fan continues to run momentarily until all heated air is discharged to insure efficiency.
- Disconnect switch.
- Totally enclosed steel fin sheath element for safety and long life.
- Mounting Applications
Recess (Standard)
Surface (3380 EX33 Kit)
2x2 T-Bar (TB3380 Kit)

Typical Specifications

Brasch Electric Forced Air Heaters shall be constructed of a heavy gauge steel housing. The rough-in dimensions are 19-5/16" high x 14-3/16" wide x 4" deep. The finish shall be baked-on enamel paint in Ceiling White color. The units shall be available in ratings from 1500 through 4800 watts.

The heaters shall have a low speed motor which drives a vane axial blower to deliver a quiet 175 CFM of down flow air. The heating element shall be of the sealed tubular type with large, parallel steel fins for quick heat transfer. Unit shall have as standard a thermal overload cutoff for added safety.

All heaters shall be listed by ETL Semko. The heating element shall be supplied with a manufacturer's 1 year limited warranty.

FIG. 1 FLUSH MOUNTED

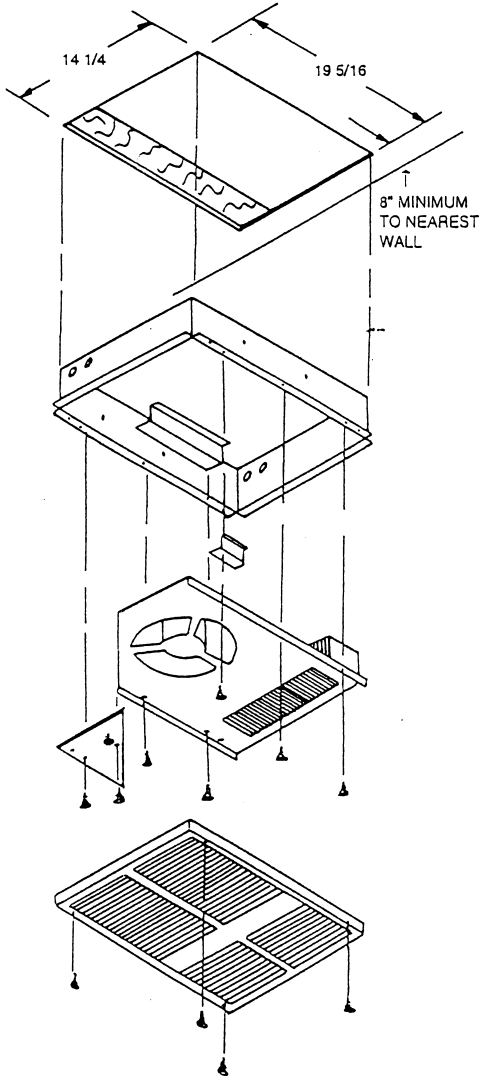
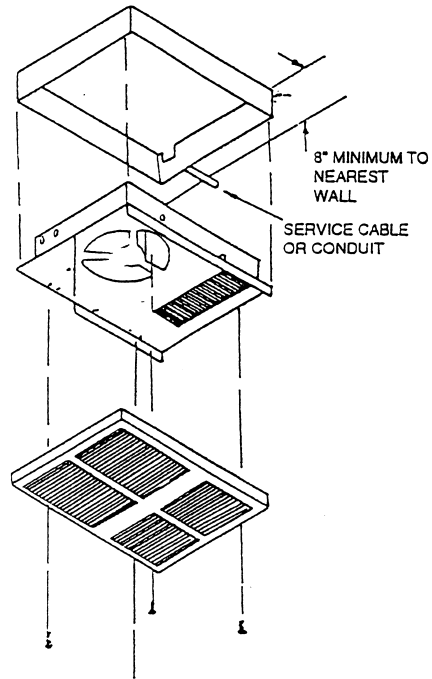
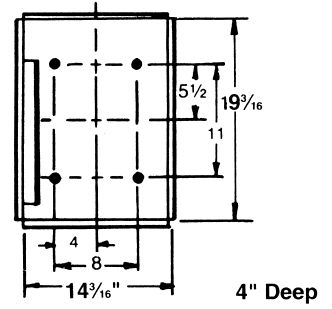


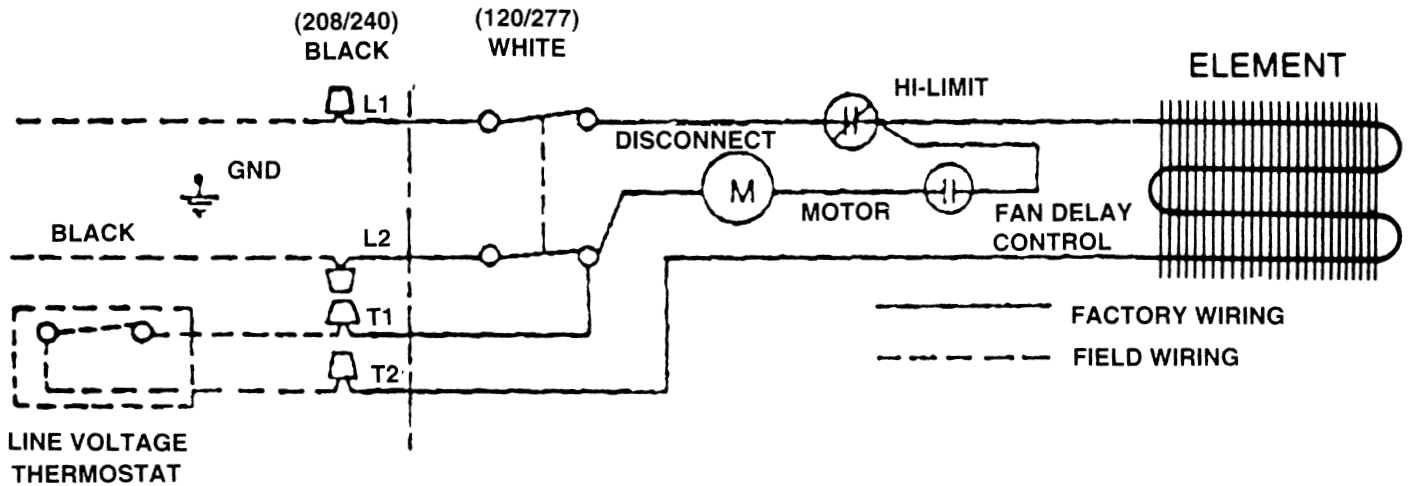
FIG. 2 SURFACE MOUNTED



Dimensions



Location of rough-in box mounting holes.



Limited Warranty

All Brasch Manufacturing Company, Inc. products covered in this bulletin are warranted against defects in workmanship and materials for one year from date of purchase. This warranty does not apply to damage from accident, misuse or alteration; nor where the connected voltage is more than 5% above product nameplate voltage; nor to equipment improperly installed or wired or maintained in violation of installation instructions. This warranty is valid only in the fifty states of the United States. No other written or oral warranty applies. No employee, agent, dealer or other person is authorized to extend warranty on behalf of Brasch Manufacturing Company.

The customer shall be responsible for all costs incurred in the removal or reinstallation and shipping of the product for repairs. Inoperative units should be returned to Brasch, attention of Service Manager for repair or replacement at our option. Product will be returned freight prepaid. Repair or replacement is the exclusive remedy available from Brasch who is not liable for damages of any kind, including incidental and consequential damage.



BRASCH
MANUFACTURING COMPANY, INC.

2310 Millpark Drive
Maryland Heights, MO 63043

314.291.0440 • Fax 314.291.0646
e-mail: braschmfg@braschmfg.com
www.braschmfg.com

©Brasch Manufacturing Company, Inc.