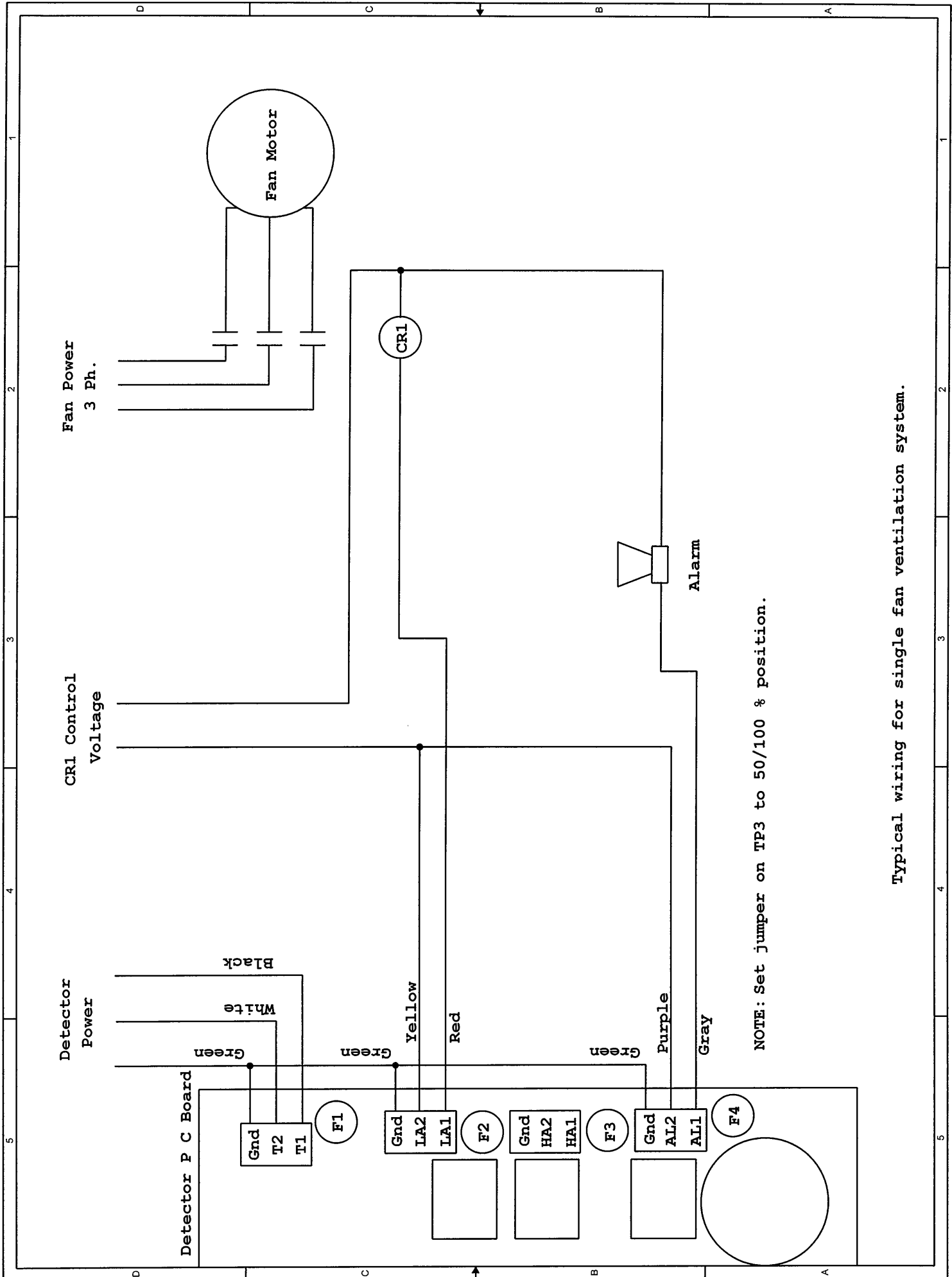
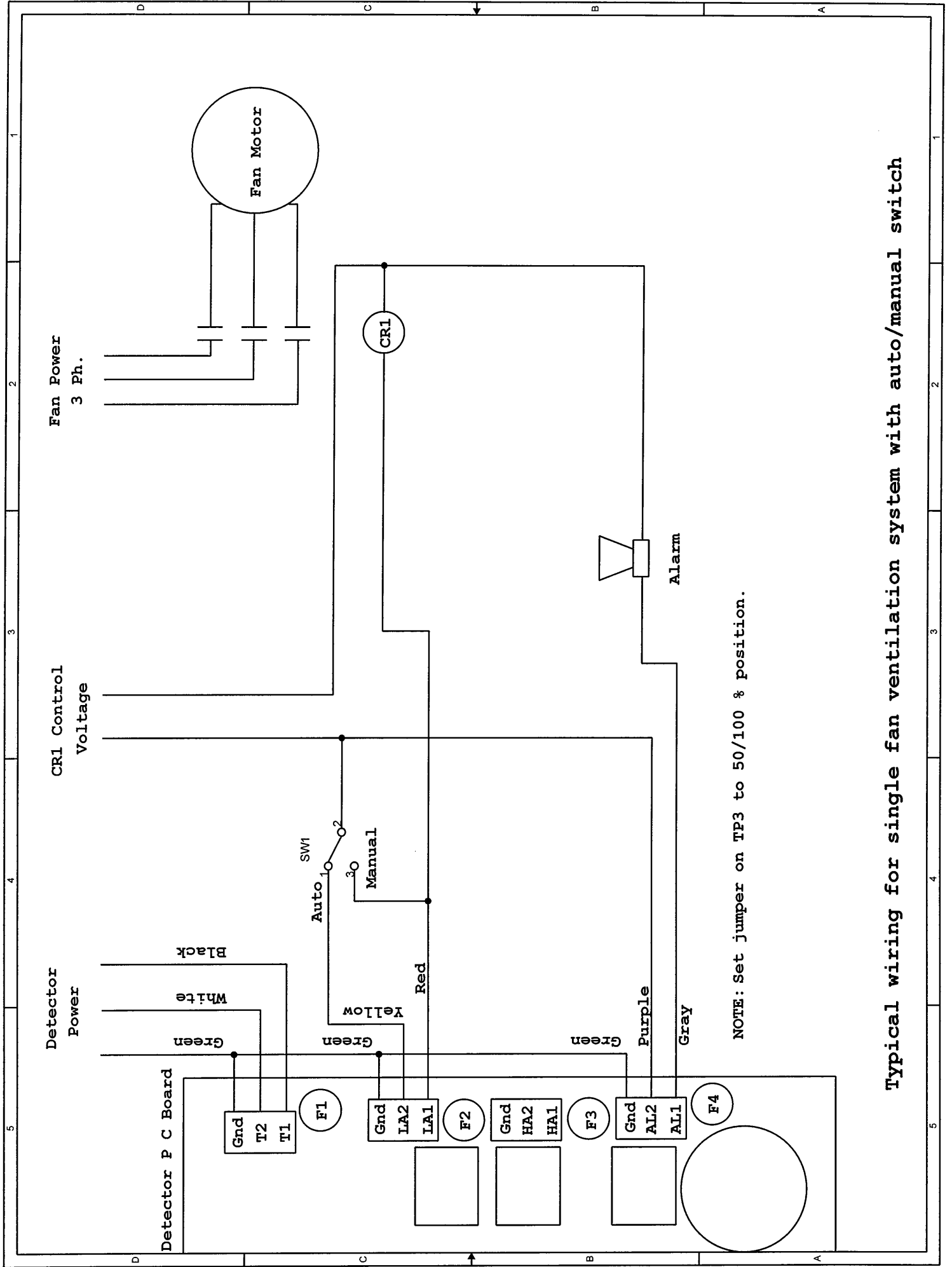


Typical GSE Detector mounting

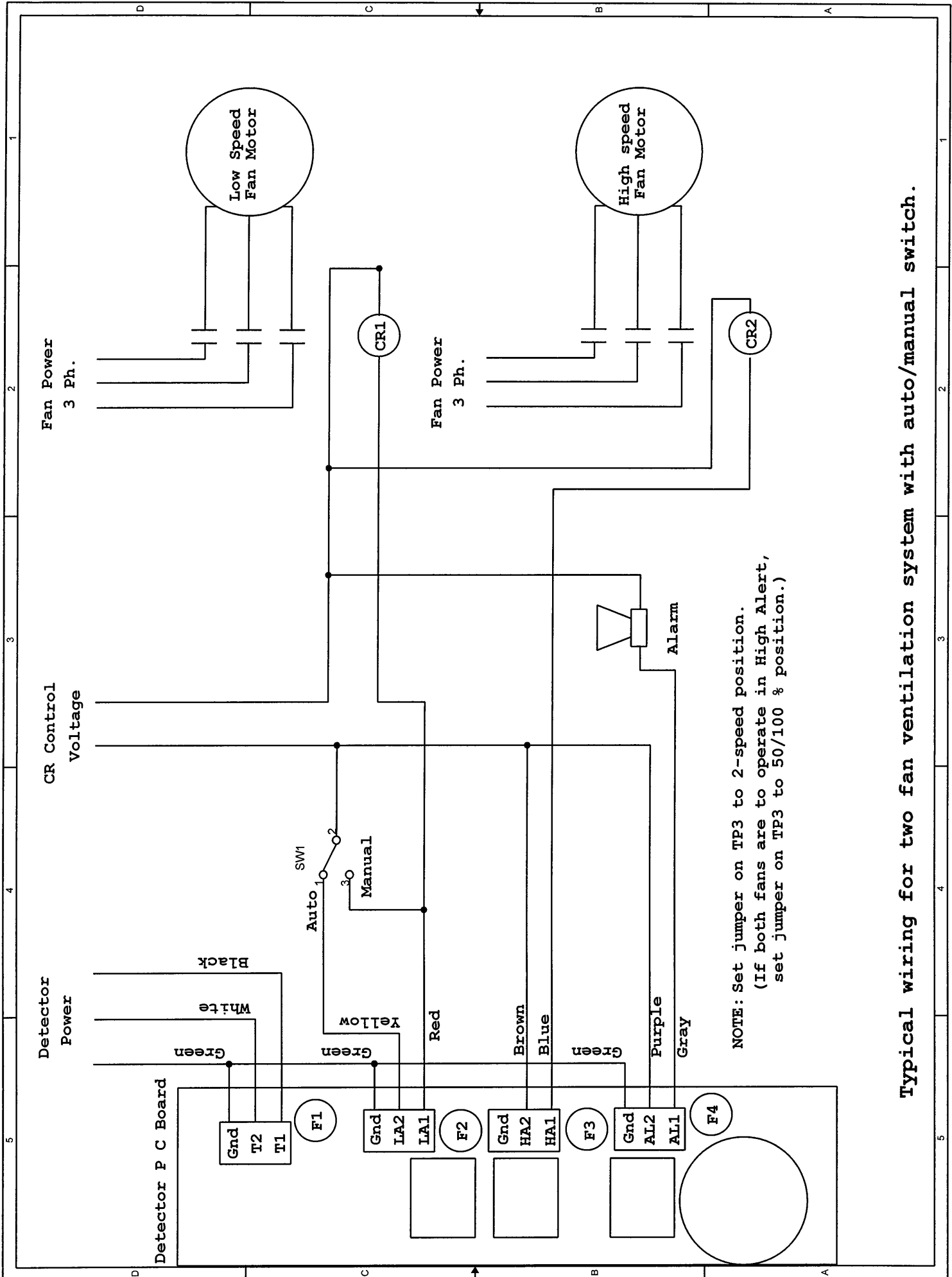


NOTE: Set jumper on TP3 to 50/100 % position.

Typical wiring for single fan ventilation system.

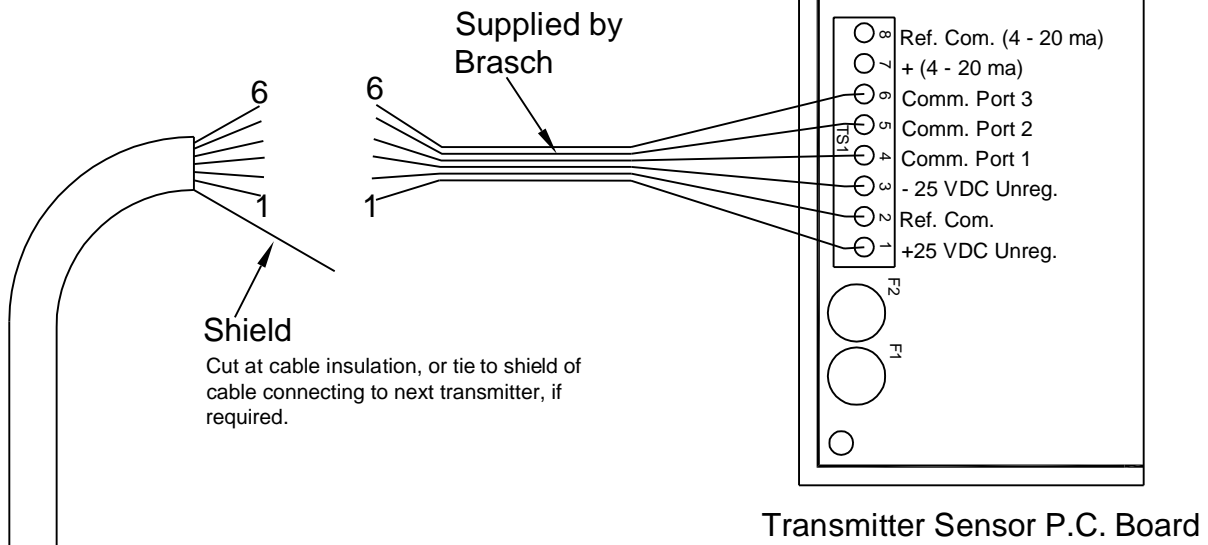


Typical wiring for single fan ventilation system with auto/manual switch



Typical wiring for two fan ventilation system with auto/manual switch.

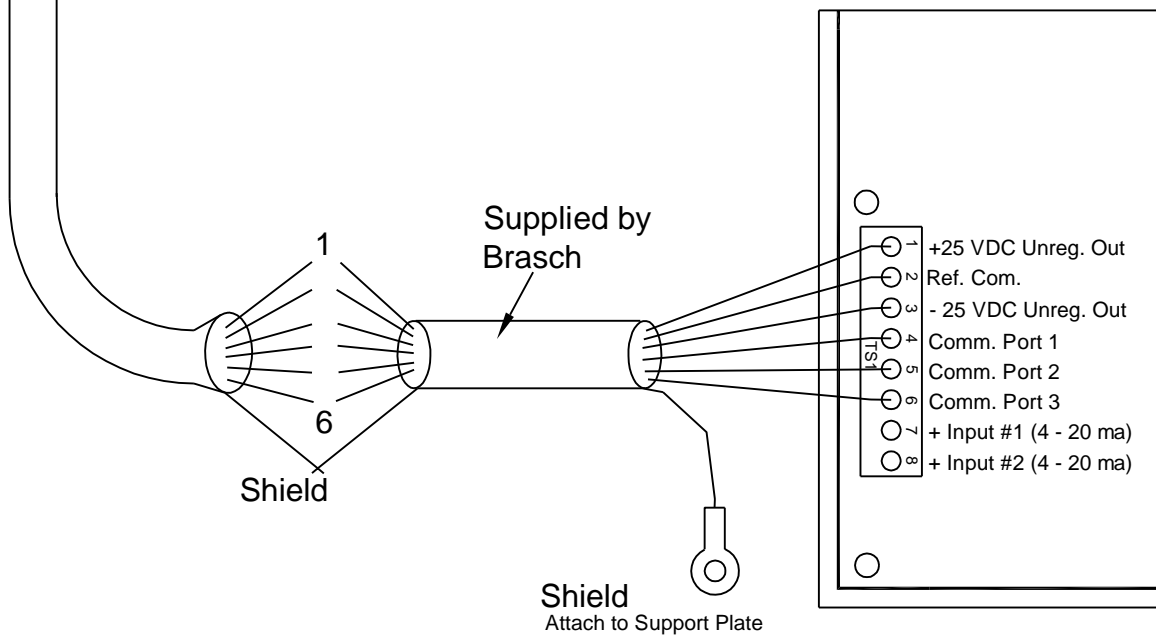
Daisy chain connections to next transmitter, if required.
 Max. number of transmitters per GSE control is two.



General Cable C3065, Alpha 58136, or equivalent
 Supplied by others.

| COLOR | FUNCTION | TS1- |
|-------|-----------------|------|
| WHITE | Comm. Port 3 | 6 |
| BLUE | Comm. Port 2 | 5 |
| BROWN | Comm. Port 1 | 4 |
| BLACK | - 25 VDC Unreg. | 3 |
| GREEN | Ref. Com. | 2 |
| RED | +25 VDC Unreg. | 1 |

GSE Control Housing Main P.C. Board



Wiring, Brasch GSE Detector to Remote Transmitter